



High Current SMD Power Inductors - SEP3012EXS SERIES



PART NUMBERING SYSTEM

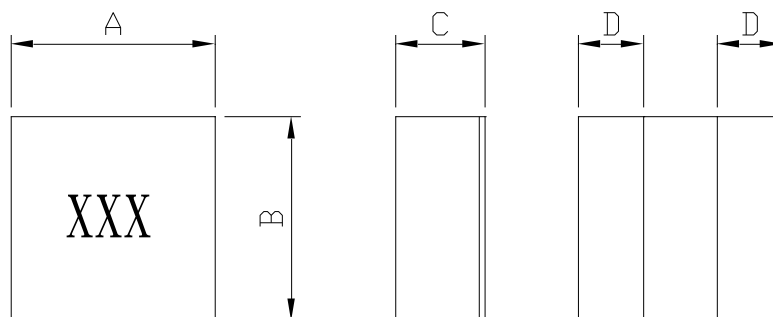
SEP	3012EXS	—	R47M	—	LF
TYPE	DIMENSIONS		INDUCTANCE		LEAD FREE

FEATURES :

- High-current power inductors with magnetic shielding for enhanced performance.
- Compact and low-profile design with a maximum height of 1.2mm
- Shielded construction minimizes acoustic noise and leakage flux noise.
- Environmentally friendly:
Halogen-free, 100% lead-free (Pb-free), and compliant with RoHS regulations.
- Utilizes flat wire and low core loss material for improved efficiency.
- High reliability due to the direct connection of the flat wire to the soldering pad.

SHAPES AND DIMENSIONS :

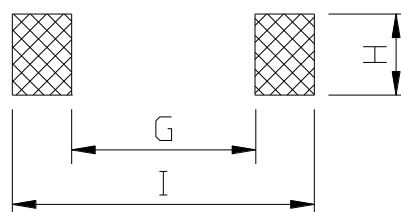
UNIT : mm



A=3.0±0.2 B=3.0±0.2 C=1.2 Max. D=1.05 Ref.

RECOMMENDED PATTERNS

UNIT : mm



H=3.0 G= 0.8 I = 3.0



High Current SMD Power Inductors - SEP3012EXS SERIES

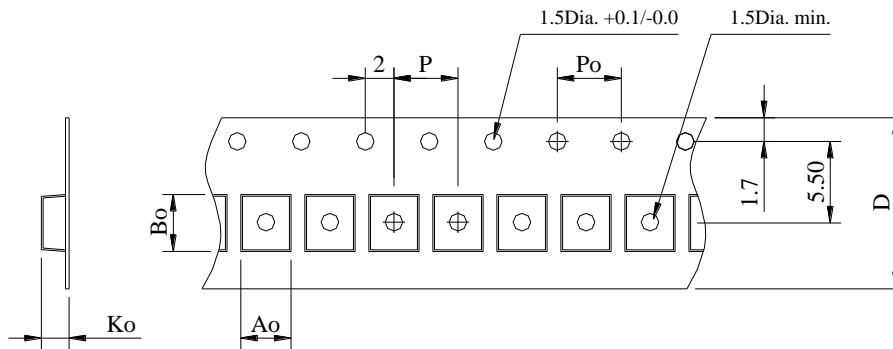


SPECIFICATION TABLE

PART NUMBER	INDUCTANCE (μH)	I _{sat} (A) (Typ.)	I _{rms} (A) (Typ.)	DCR (mΩ) (Typ.)	TEST FREQ. (Freq.)
SEP3012EXS-1R0M-LF	1.0±20%	6.0	5.5	23.0	1MHz/1V
SEP3012EXS-4R7M-LF	4.7±20%	3.0	3.0	100	1MHz/1V
SEP3012EXS-100M-LF	10±20%	2.3	2.3	192	1MHz/1V
SEP3012EXS-150M-LF	15±20%	1.9	1.3	345	1MHz/1V

- I_{sat} : DC current at which the inductance drops 30% (Typ.) from its value without current.
- I_{rms} : Average current for a 40°C temperature rise above 25°C ambient.
- Operating temperature range -40°C to +125°C , Electrical specifications at 25°C.

PACKAGING SPECIFICATION



STAYLE	Q' TY (PCS)	DIMENSIONS (m/m)					
		Ao	Bo	Ko	P	Po	D
7"	3,000	3.4±0.1	3.4±0.1	1.5±0.1	8±0.1	4.0±0.1	12±0.3