



SDH1606X SERIES ~ Low Profile Power Inductors



RoHS Compliant

PART NUMBERING SYSTEM

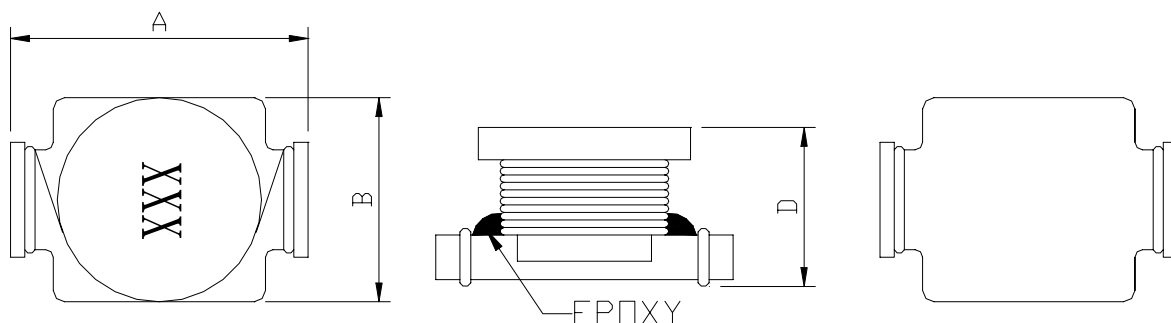
SDH	1 6 0 6 X	—	6 R 8 M	—	LF
TYPE	DIMENSIONS		INDUCTANCE		LEAD FREE

FEATURES :

- Low profile (height 2.50 mm max.)
- Available lead free and RoHS compliant
- Low cost and high reliability

SHAPES AND DIMENSIONS

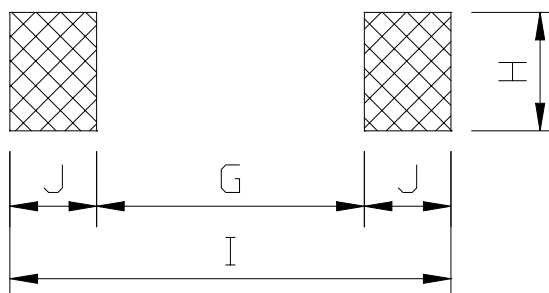
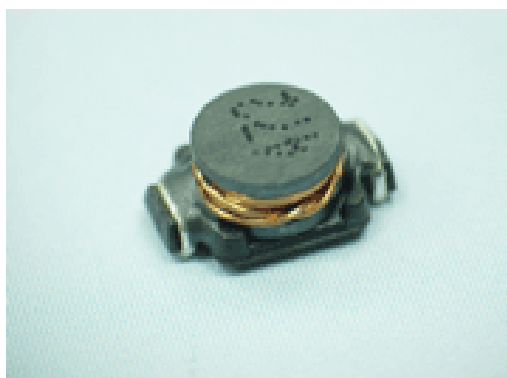
UNIT : mm



A = 6.6 Max. B = 4.45 Max. D = 2.50 Max.

RECOMMENDED PATTERNS

UNIT : mm



G = 4.06 H = 3.56 I = 6.86 J = 1.4



SDH1606X SERIES ~ Low Profile Power Inductors



RoHS Compliant

SPECIFICATION TABLE

PART NUMBER	INDUCTANCE (μ H)	DCR(Ω) (Max.)	Isat (A) (Max.)	Irms (A) (Max.)	SRF(MHz) (Ref.)
SDH1606X-1R0M-LF	1.0 \pm 20%	0.04	2.50	2.30	230
SDH1606X-1R5M-LF	1.5 \pm 20%	0.06	2.20	2.10	180
SDH1606X-2R2M-LF	2.2 \pm 20%	0.07	1.80	1.70	140
SDH1606X-3R3M-LF	3.3 \pm 20%	0.12	1.40	1.30	110
SDH1606X-4R7M-LF	4.7 \pm 20%	0.15	1.20	1.10	100
SDH1606X-6R8M-LF	6.8 \pm 20%	0.20	1.10	1.00	80
SDH1606X-8R2M-LF	8.2 \pm 20%	0.23	1.00	0.95	70
SDH1606X-100M-LF	10 \pm 20%	0.30	1.00	0.90	60
SDH1606X-150M-LF	15 \pm 20%	0.40	0.80	0.70	45
SDH1606X-220M-LF	22 \pm 20%	0.54	0.60	0.50	35
SDH1606X-330M-LF	33 \pm 20%	0.74	0.50	0.45	30
SDH1606X-470M-LF	47 \pm 20%	1.10	0.45	0.40	22
SDH1606X-680M-LF	68 \pm 20%	1.60	0.35	0.35	20
SDH1606X-101M-LF	100 \pm 20%	2.30	0.30	0.30	15
SDH1606X-151M-LF	150 \pm 20%	3.50	0.25	0.25	10
SDH1606X-221M-LF	220 \pm 20%	5.70	0.20	0.18	9
SDH1606X-331M-LF	330 \pm 20%	8.20	0.16	0.16	8
SDH1606X-471M-LF	470 \pm 20%	10.8	0.14	0.12	7
SDH1606X-681M-LF	680 \pm 20%	17.2	0.12	0.10	5
SDH1606X-102M-LF	1000 \pm 20%	22.6	0.08	0.08	4

1. Inductance is measured with a LCR meter 4284A or equivalent.
2. Inductance drop=10% typ. at rated current.
3. Operating temperature range -40°C to +85°C
4. Electrical specifications at 25°C

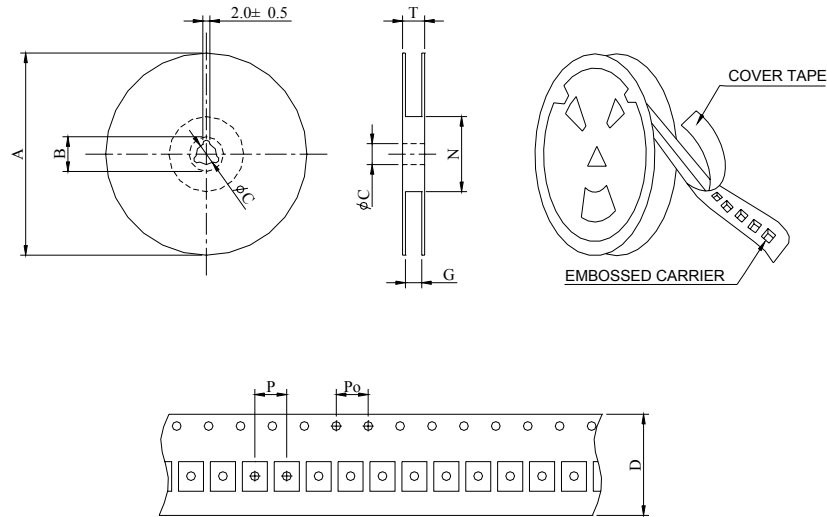


SDH1606X SERIES ~ Low Profile Power Inductors



RoHS Compliant

PACKAGING SPECIFICATION



SERIES	STAYLE	Q' TY (PCS)	DIMENSIONS (m/m)								
			A	B±0.8	C±0.5	D	G ⁺⁰	N ⁰	P	Po	T
SDS1606X	13-16	2000	330	21	13	16	18	50	8	4	22.4