



## SDH5022 SERIES ~ SMD Power Inductors



RoHS Compliant

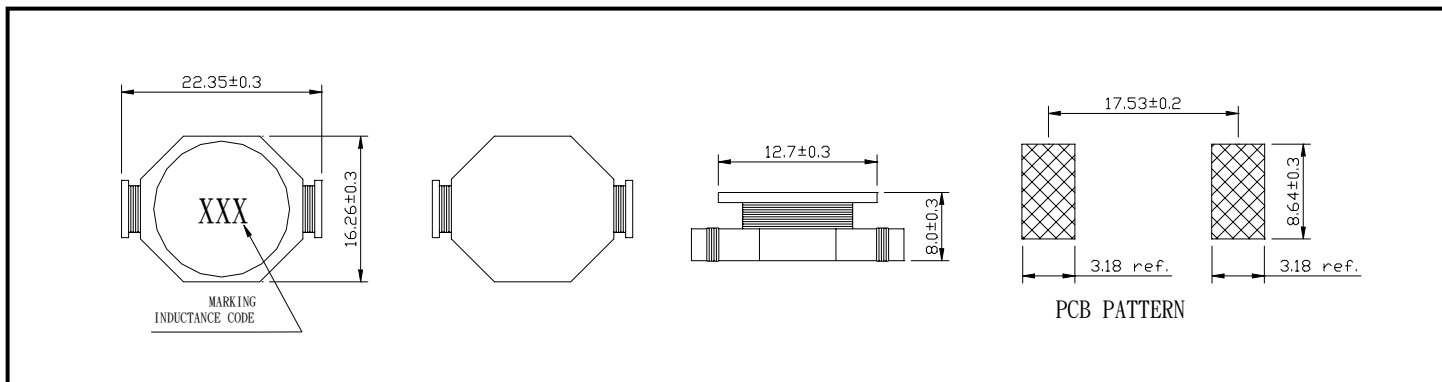
### PART NUMBERING SYSTEM

<b>SDH</b>	<b>5 0 2 2</b>	—	<b>R 7 8 M</b>	—	<b>LF</b>
TYPE	DIMENSIONS		INDUCTANCE		LEAD FREE

### SHAPES AND DIMENSIONS

UNIT :

mm



### Description

- Miniature surface mount design and Maximum power density
- Inductance range from 0.78 uH to 1000 uH
- Current range from 1 A to 30 A
- Suitable for large current
- Ideal for DC-DC converter inductor applications

### Environmental Data

- Storage temperature range : - 40°C to + 125°C
- Operating temperature range : - 40°C to + 85°C ( Range in application specific )



## SDH5022 SERIES ~ SMD Power Inductors



RoHS Compliant

### SPECIFICATION TABLE

PART NUMBER	INDUCTANCE ( $\mu$ H)	DCR(m $\Omega$ ) (Max.)	Isat ( A ) (Max.)	Irms ( A ) (Max.)	SRF(MHz) (Ref.)
SDH5022-R78M-LF	0.78 $\pm$ 20%	2.6	30	15	156
SDH5022-1R5M-LF	1.5 $\pm$ 20%	4.0	25	15	100
SDH5022-2R2M-LF	2.2 $\pm$ 20%	6.1	20	12	75
SDH5022-3R3M-LF	3.3 $\pm$ 20%	8.6	17	10	60
SDH5022-3R9M-LF	3.9 $\pm$ 20%	10	15	9.0	55
SDH5022-4R7M-LF	4.7 $\pm$ 20%	14	13	8.4	40
SDH5022-6R0M-LF	6.0 $\pm$ 20%	17	12	7.5	35
SDH5022-7R8M-LF	7.8 $\pm$ 20%	18	11	7.5	35
SDH5022-100M-LF	10 $\pm$ 20%	26	10	6.0	28
SDH5022-120M-LF	12 $\pm$ 20%	28	8.5	4.4	26
SDH5022-150M-LF	15 $\pm$ 20%	32	8.0	4.4	20
SDH5022-220M-LF	22 $\pm$ 20%	47	7.0	3.5	20
SDH5022-330M-LF	33 $\pm$ 20%	66	5.5	3.0	15
SDH5022-470M-LF	47 $\pm$ 20%	86	4.5	2.6	9
SDH5022-680M-LF	68 $\pm$ 20%	130	3.5	2.3	8
SDH5022-101M-LF	100 $\pm$ 20%	190	3.0	1.8	7
SDH5022-151M-LF	150 $\pm$ 20%	250	2.6	1.5	6
SDH5022-221M-LF	220 $\pm$ 20%	380	2.4	1.2	5
SDH5022-331M-LF	330 $\pm$ 20%	560	1.9	1.0	4
SDH5022-471M-LF	470 $\pm$ 20%	850	1.4	0.82	3
SDH5022-681M-LF	680 $\pm$ 20%	1100	1.2	0.72	2.5
SDH5022-102M-LF	1000 $\pm$ 20%	1800	1.0	0.56	2

- Inductance tested at 100 kHz, 0.1 Vrms
- Isat: DC current at which the inductance drops 10% (typ) from its value without current.
- Irms: Average current for 40°C temperature rise from 25°C ambient.
- Operating temperature range -40°C to +85°C.
- Electrical specifications at 25°C

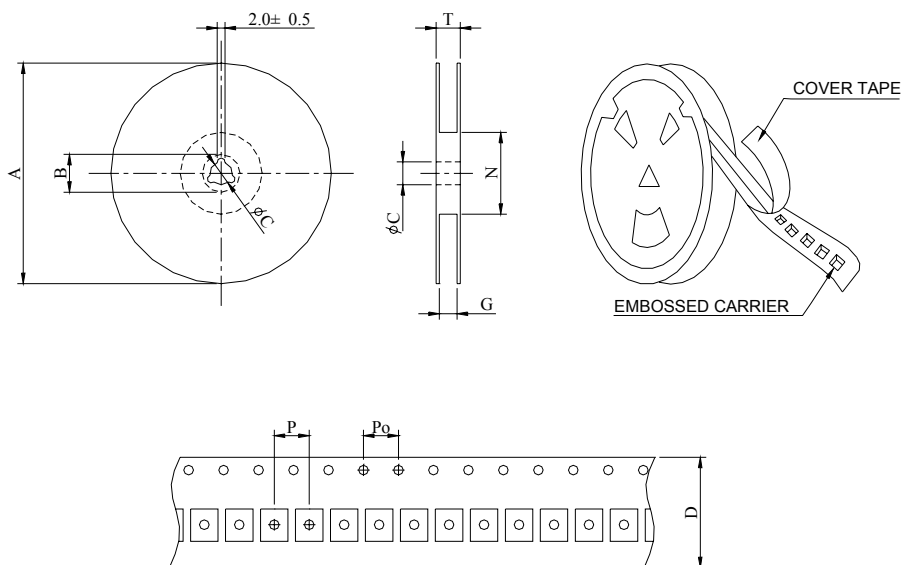


## SDH5022 SERIES ~ SMD Power Inductors



RoHS Compliant

### PACKAGING SPECIFICATION



SERIES	STAYLE	Q' TY (PCS)	DIMENSIONS (m/m)								
			A	B±0.8	C±0.5	D	G <sup>+0</sup>	N <sup>0</sup>	P	Po	T
SDH5022	13-32	250	330	21	13	32	34	100	24	4	38.4