



# SDB0604 SERIES - SMD Power Inductors

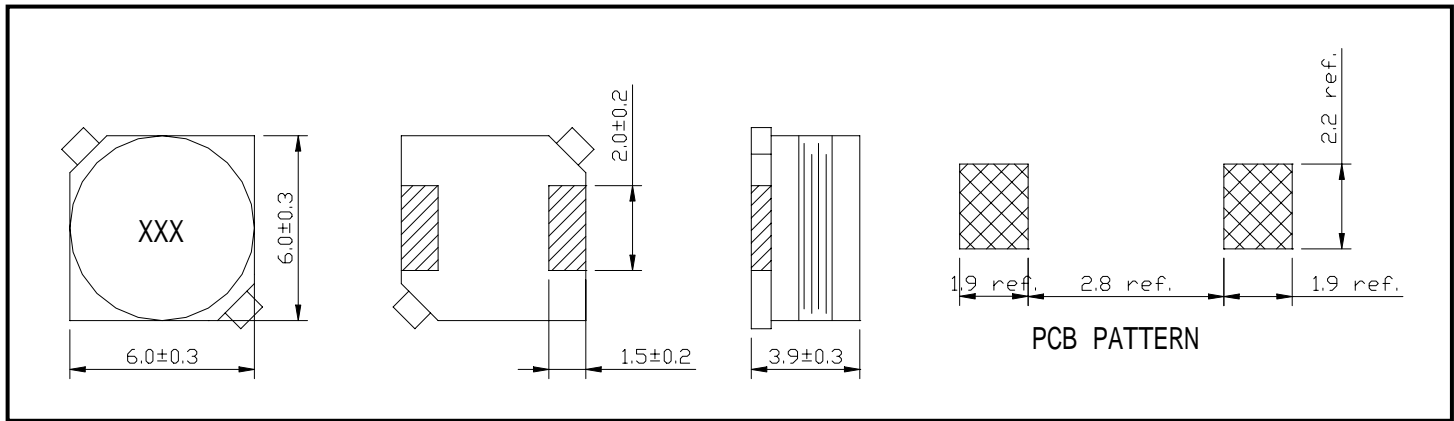


## PART NUMBERING SYSTEM

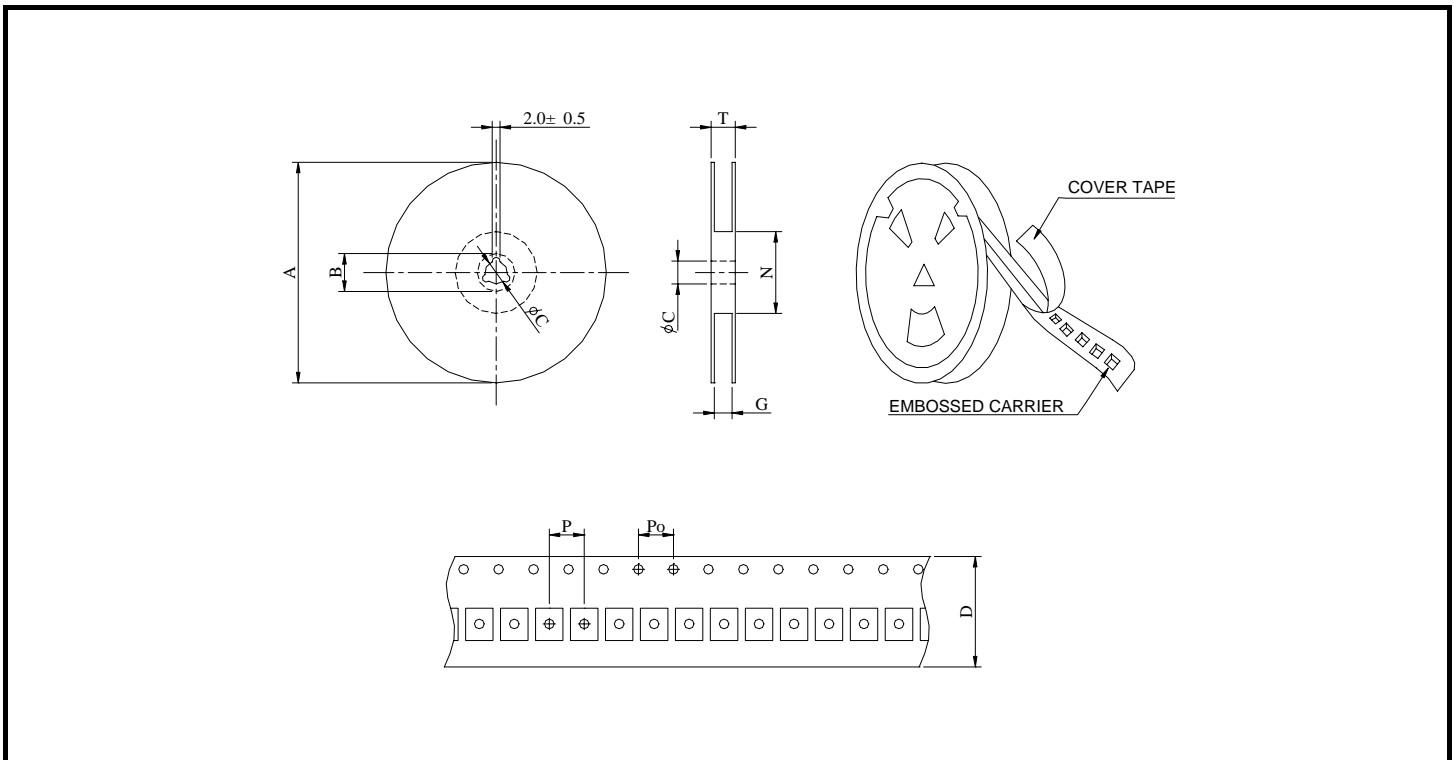
<b>SDB</b>	<b>0 6 0 4</b>	<b>-</b>	<b>1 R 2 M</b>	<b>- LF</b>
TYPE	DIMENSIONS		INDUCTANCE	LEAD FREE

## SHAPES AND DIMENSIONS

UNIT : mm



## PACKAGING SPECIFICATION



SERIES	STAYLE	Q ' TY (PCS)	DIMENSIONS (m/m)								
			A	B $\pm 0.8$	C $\pm 0.5$	D	G <sup>+0</sup>	N <sup>0</sup>	P	Po	T
SDB0604	13-16	1000	330	21	13	16	18	50	12	4	22.4



## SDB0604 SERIES - SMD Power Inductors



### SPECIFICATION TABLE

PART NUMBER	INDUCTANCE ( $\mu$ H)	DCR ( ) (Max.)	IDC ( A ) (Max.)	TEST FREQ. ( f )
SDB0604-1R2M-LF	1.2 $\pm$ 20%	0.025	3.00	100KHz
SDB0604-1R8M-LF	1.5 $\pm$ 20%	0.030	2.85	100KHz
SDB0604-2R2M-LF	2.2 $\pm$ 20%	0.035	2.65	100KHz
SDB0604-3R3M-LF	3.3 $\pm$ 20%	0.040	2.35	100KHz
SDB0604-4R7M-LF	4.7 $\pm$ 20%	0.045	2.15	100KHz
SDB0604-6R8M-LF	6.8 $\pm$ 20%	0.060	1.85	100KHz
SDB0604-100M-LF	10 $\pm$ 20%	0.085	1.60	100KHz
SDB0604-120M-LF	12 $\pm$ 20%	0.090	1.50	100KHz
SDB0604-150M-LF	15 $\pm$ 20%	0.110	1.45	100KHz
SDB0604-180M-LF	18 $\pm$ 20%	0.120	1.30	100KHz
SDB0604-220M-LF	22 $\pm$ 20%	0.160	1.25	100KHz
SDB0604-270M-LF	27 $\pm$ 20%	0.190	1.10	100KHz
SDB0604-330M-LF	33 $\pm$ 20%	0.280	1.00	100KHz
SDB0604-390M-LF	39 $\pm$ 20%	0.300	0.90	100KHz
SDB0604-470M-LF	47 $\pm$ 20%	0.330	0.85	100KHz
SDB0604-560M-LF	56 $\pm$ 20%	0.410	0.80	100KHz
SDB0604-680M-LF	68 $\pm$ 20%	0.450	0.70	100KHz
SDB0604-820M-LF	82 $\pm$ 20%	0.600	0.60	100KHz
SDB0604-101M-LF	100 $\pm$ 20%	0.660	0.55	100KHz
SDB0604-121M-LF	120 $\pm$ 20%	0.720	0.50	100KHz
SDB0604-151M-LF	150 $\pm$ 20%	1.050	0.45	100KHz
SDB0604-181M-LF	180 $\pm$ 20%	1.150	0.40	100KHz
SDB0604-221M-LF	220 $\pm$ 20%	1.250	0.35	100KHz
SDB0604-271M-LF	270 $\pm$ 20%	1.800	0.30	100KHz
SDB0604-331M-LF	330 $\pm$ 20%	1.950	0.28	100KHz
SDB0604-391M-LF	390 $\pm$ 20%	2.780	0.25	100KHz
SDB0604-471M-LF	470 $\pm$ 20%	2.980	0.23	100KHz
SDB0604-561M-LF	560 $\pm$ 20%	3.300	0.21	100KHz
SDB0604-681M-LF	680 $\pm$ 20%	5.100	0.20	100KHz
SDB0604-821M-LF	820 $\pm$ 20%	5.400	0.18	100KHz
SDB0604-102M-LF	1000 $\pm$ 20%	6.000	0.16	100KHz

DC current at which the inductance drops 10% (typ) from its value without current.  
 Operating temperature range -40°C to +85°C  
 Electrical specifications at 25°C.