



SDB1204 SERIES

Unshielded Power Inductors



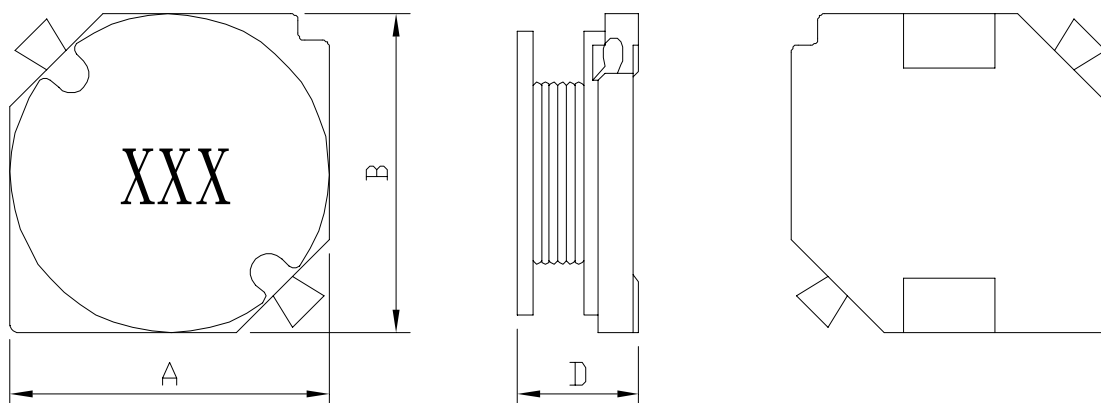
RoHS Compliant

PART NUMBERING SYSTEM

SDB	1 2 0 4	—	6 8 1 K	—	LF
TYPE	DIMENSIONS		INDUCTANCE		LEAD FREE

SHAPES AND DIMENSIONS

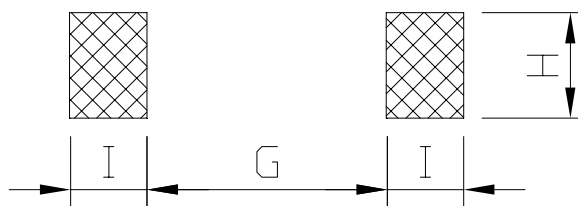
UNIT : mm



A=13.0 Max. B=13.0 Max. D=5.1 Max.

PCB LAYOUT

UNIT : mm



G=8.4 Ref. H=3.6 Ref. I=2.6 Ref.

FEATURES

- Size : **13x13mm Max. square and 5.1mm Max . (Ht)**
- **2.5 μH** part handles **8 Amps** of saturating current!
- Ideal for **Power supplies of portable communication equipment ,LCD TV's , Car radio's .**
- **RoHS-compliant.** 260°C compatible. Silver-palladium-platinum-glass frit terminations



S DB1204 SERIES

Unshielded Power Inductors



RoHS Compliant

SPECIFICATION TABLE

PART NUMBER	INDUCTANCE (μ H)	DCR (m Ω) (Max.)	Isat (A) (Max.)	Irms(A) (Max.)	SRF(MHz) (Typ.)
SDB1204-2R5P-LF	1.2 \pm 30%	9.80	8.0	7.2	7.96
SDB1204-3R5P-LF	2.2 \pm 30%	10.5	7.0	6.0	7.96
SDB1204-4R6P-LF	3.3 \pm 30%	16.5	6.0	5.2	7.96
SDB1204-6R8P-LF	4.7 \pm 30%	24.0	5.2	4.3	7.96
SDB1204-100M-LF	6.8 \pm 30%	37.0	4.4	3.6	2.52
SDB1204-150M-LF	10 \pm 20%	46.0	3.7	3.3	2.52
SDB1204-220M-LF	15 \pm 20%	62.0	3.0	2.9	2.52
SDB1204-330M-LF	22 \pm 20%	85.0	2.6	2.5	2.52
SDB1204-470M-LF	27 \pm 20%	130	2.0	1.9	2.52
SDB1204-680M-LF	33 \pm 20%	165	1.8	1.65	2.52
SDB1204-101K-LF	68 \pm 20%	255	1.4	1.4	0.796
SDB1204-151K-LF	100 \pm 20%	380	1.15	1.2	0.796
SDB1204-221K-LF	120 \pm 20%	500	0.95	1.0	0.796
SDB1204-331K-LF	150 \pm 20%	700	0.80	0.85	0.796
SDB1204-471K-LF	220 \pm 20%	1150	0.70	0.67	0.796
SDB1204-681K-LF	330 \pm 20%	1400	0.58	0.60	0.796
SDB1204-102K-LF	470 \pm 20%	2350	0.47	0.46	0.252

- Isat : DC current at which the inductance drops 25% (typ) from its value without current.
- Irms: The actual current when temperature of coil becomes $\Delta 40^{\circ}\text{C}$. (Ta=+20 $^{\circ}\text{C}$)
- Operating temperature range -40 $^{\circ}\text{C}$ to +85 $^{\circ}\text{C}$.
- Electrical specifications at 20 $^{\circ}\text{C}$.
- Reel Qty 600pcs