



SSB2809 SERIES – Low Profile SMD Power Inductors



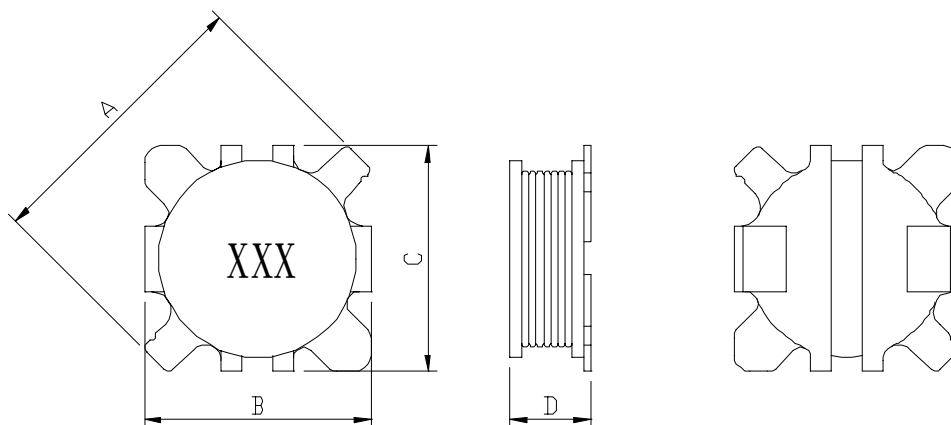
RoHS Compliant

PART NUMBERING SYSTEM

SSB	2809	—	4R7N	—	LF
TYPE	DIMENSIONS		INDUCTANCE		LEAD FREE

SHAPES AND DIMENSIONS

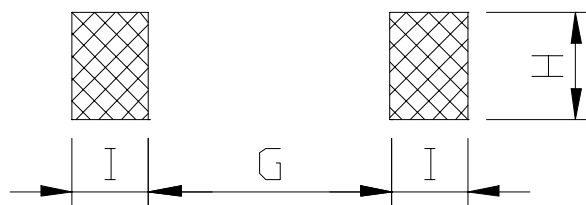
UNIT : mm



A=4.25 Max. B= 3.00±0.2 C=3.0±0.2 D=1.0Max

RECOMMENDED PATTERNS

UNIT : mm



G=1.00 H=1.00 I=1.20



SSB2809 SERIES – Low Profile SMD Power Inductors

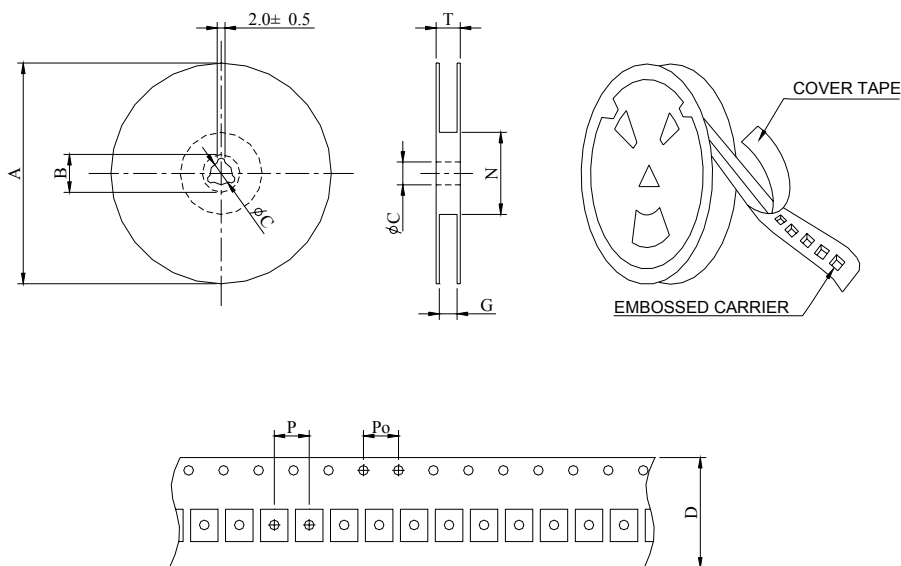


SPECIFICATION TABLE

PART NUMBER	INDUCTANCE (μ H)	DCR (m Ω) (Max.)	Isat (A)	Irms (A)	TEST FREQ. (f)
SSB2809-1R0N-LF	1.0 \pm 30%	74	1.15	2.00	100KHz/0.1V
SSB2809-1R5N-LF	1.5 \pm 30%	89	1.00	1.70	100KHz/0.1V
SSB2809-2R2N-LF	2.2 \pm 30%	132	0.80	1.32	100KHz/0.1V
SSB2809-3R3N-LF	3.3 \pm 30%	252	0.65	1.05	100KHz/0.1V
SSB2809-4R7N-LF	4.7 \pm 30%	288	0.53	0.87	100KHz/0.1V
SSB2809-6R8N-LF	6.8 \pm 30%	348	0.45	0.83	100KHz/0.1V
SSB2809-100M-LF	10.0 \pm 20%	576	0.39	0.67	100KHz/0.1V
SSB2809-150M-LF	15.0 \pm 20%	852	0.32	0.49	100KHz/0.1V
SSB2809-220M-LF	22.0 \pm 20%	1440	0.27	0.38	100KHz/0.1V

- ※ Inductance measured using a Coilmaster SMD fixture in an Agilent/HP 4284A or equivalent.
- ※ Isat: DC current at which the inductance drops 10% (typ) from its value without current.
- ※ Irms: Average current for 30°C (max) rise from +25°C ambient.
- ※ Storage and ambient operating temperature range -40°C to +85°C.

PACKAGING SPECIFICATION



SERIES	STAYLE	Q' TY (PCS)	DIMENSIONS (m/m)								
			A	B \pm 0.8	C \pm 0.5	D	G ⁺⁰	N ⁰	P	Po	T
SSB2809	13-16	3500	330	21	13	16	18	50	8	4	22.4