



SSB3511 SERIES – Low Profile SMD Power Inductors



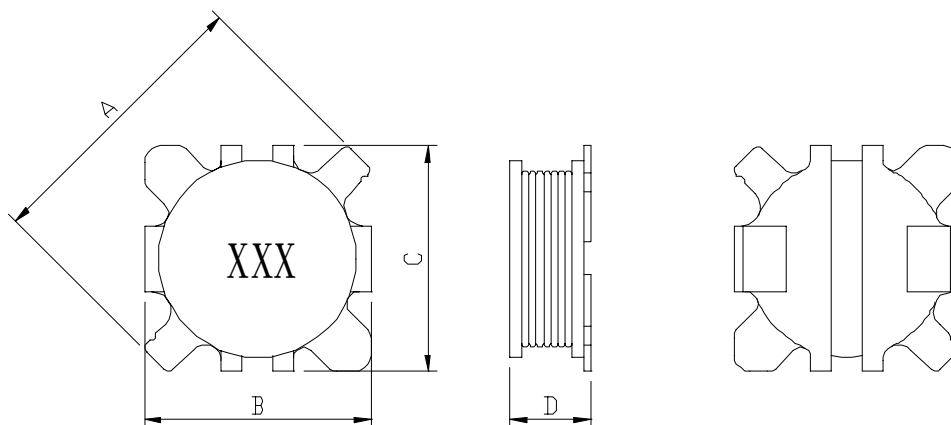
RoHS Compliant

PART NUMBERING SYSTEM

SSB	3 5 1 1	—	4 R 7 N	—	LF
TYPE	DIMENSIONS		INDUCTANCE		LEAD FREE

SHAPES AND DIMENSIONS

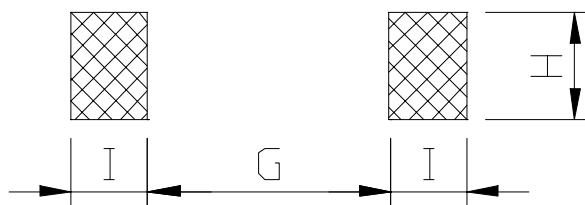
UNIT : mm



A=5.20 Max. B= 3.70±0.3 C=3.70±0.3 D=1.20 Max .

RECOMMENDED PATTERNS

UNIT : mm



G=1.45 H=1.00 I=1.20



SSB3511 SERIES – Low Profile SMD Power Inductors



RoHS Compliant

SPECIFICATION TABLE

PART NUMBER	INDUCTANCE (μ H)	DCR (m Ω) (Max.)	Isat (A)	Irms (A)	TEST FREQ. (f)
SSB3511-2R2N-LF	2.2 \pm 30%	114	1.00	1.65	100KHz/0.1V
SSB3511-3R3N-LF	3.3 \pm 30%	170	0.90	1.40	100KHz/0.1V
SSB3511-4R7N-LF	4.7 \pm 30%	238	0.80	1.10	100KHz/0.1V
SSB3511-5R6N-LF	5.6 \pm 30%	266	0.78	0.98	100KHz/0.1V
SSB3511-6R8N-LF	6.8 \pm 30%	314	0.70	0.93	100KHz/0.1V
SSB3511-100M-LF	10.0 \pm 20%	454	0.55	0.75	100KHz/0.1V
SSB3511-150M-LF	15.0 \pm 20%	716	0.50	0.59	100KHz/0.1V
SSB3511-220M-LF	22.0 \pm 20%	899	0.40	0.54	100KHz/0.1V
SSB3511-470M-LF	47.0 \pm 20%	2116	0.20	0.35	100KHz/0.1V

- Inductance measured using a Coilmaster SMD fixture in an Agilent/HP 4284A or equivalent.
- Isat: DC current at which the inductance drops 10% (typ) from its value without current.
- Irms: Average current for 30°C (max) rise from +25°C ambient.
- Storage and ambient operating temperature range -40°C to +85°C.
- Packing : 13" reel, machine-ready ,embossed plastic tape (3,500 parts per full reel).