



SSB5020D SERIES

Low Profile Power Inductors



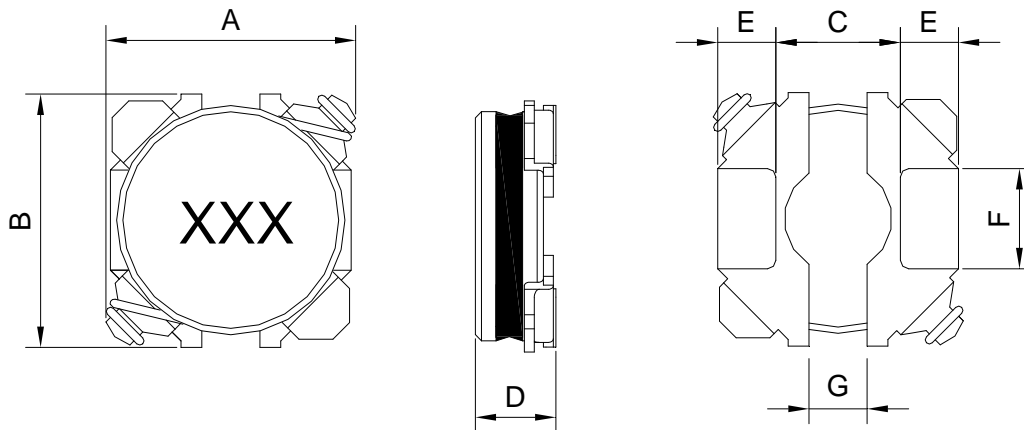
RoHS Compliant

PART NUMBERING SYSTEM

SSB	5020D	—	3 R 3 N	—	LF
TYPE	DIMENSIONS		INDUCTANCE		LEAD FREE

SHAPES AND DIMENSIONS

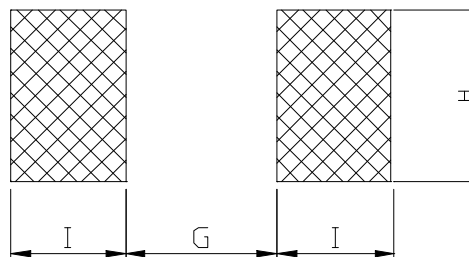
UNIT : mm



A=5.1 Max. B=5.1 Max. D=2.0 Max.

RECOMMENDED PATTERNS

UNIT : mm



G=1.4 H=5.4 I=2.0



SSB5020D SERIES

Low Profile Power Inductors



RoHS Compliant

ELECTRICAL CHARACTERISTICS :

PART NUMBER	INDUCTANCE (μ H)	DCR (Ω) Max.(Typ.)	Isat (A) (Max.)	Irms (A) (Max.)	Stamp
SSB5020D-1R0N-LF	1.0 \pm 30%	57.6m(48m)	5.60	2.10	1R0
SSB5020D-1R2N-LF	1.2 \pm 30%	69.6m(58m)	4.70	1.95	1R2
SSB5020D-1R5N-LF	1.5 \pm 30%	79.2m(66m)	4.20	1.80	1R5
SSB5020D-2R2N-LF	2.2 \pm 30%	92.4m(77m)	3.40	1.70	2R2
SSB5020D-3R3N-LF	3.3 \pm 30%	0.107(89m)	2.80	1.65	3R3
SSB5020D-3R9N-LF	3.3 \pm 30%	0.117(97m)	2.60	1.60	3R9
SSB5020D-4R7M-LF	4.7 \pm 20%	0.132(0.11)	2.40	1.50	4R7
SSB5020D-6R8N-LF	6.8 \pm 20%	0.168(0.14)	2.20	1.35	6R8
SSB5020D-100M-LF	10 \pm 20%	0.204(0.17)	2.00	1.20	100
SSB5020D-150M-LF	15 \pm 20%	0.276(0.23)	1.50	1.05	150
SSB5020D-220M-LF	22 \pm 20%	0.420(0.35)	1.20	0.85	220
SSB5020D-330M-LF	33 \pm 20%	0.576(0.48)	1.00	0.70	330
SSB5020D-470M-LF	47 \pm 20%	0.804(0.67)	0.90	0.55	470

- Inductance tested at 100 kHz, 0.1 Vrms, 0 Adc using an Agilent/HP 4284B LCR meter or equivalent.
- Isat : DC current at which the inductance drops 30% (typ) from its value without current.
- Iirms: The actual current when temperature of coil becomes $\Delta 40^{\circ}\text{C}$. (Ta=+25 $^{\circ}\text{C}$)
 Operating temperature range -40 $^{\circ}\text{C}$ to +85 $^{\circ}\text{C}$, Electrical specifications at 25 $^{\circ}\text{C}$.