



SSB5215 SERIES – Low Profile SMD Power Inductors



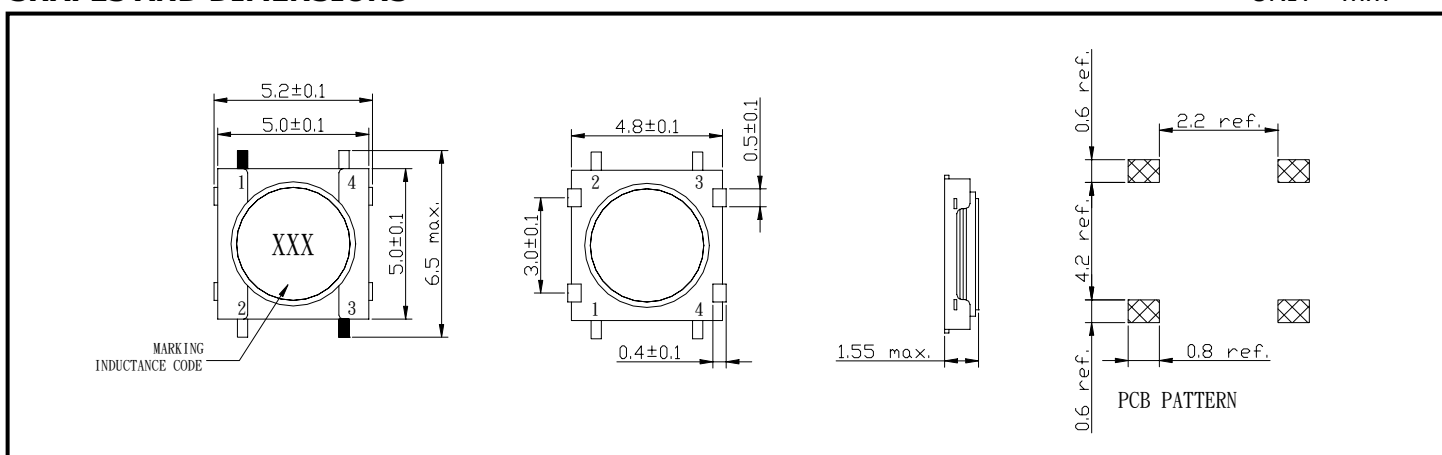
RoHS Compliant

PART NUMBERING SYSTEM

SSB	5 2 1 5	—	1 0 1 M	—	LF
TYPE	DIMENSIONS		INDUCTANCE		LEAD FREE

SHAPES AND DIMENSIONS

UNIT : mm



SPECIFICATION TABLE

PART NUMBER	INDUCTANCE (μ H)	DCR (Ω) (max)	IDC (A) (max)	TEST FREQ. (f)
SSB5215-101M-LF	100 \pm 20%	3.2	0.50	100KHz
SSB5215-151M-LF	150 \pm 20%	5.0	0.35	100KHz
SSB5215-221M-LF	220 \pm 20%	6.5	0.30	100KHz
SSB5215-331M-LF	330 \pm 20%	12.0	0.22	100KHz
SSB5215-471M-LF	470 \pm 20%	22.0	0.17	100KHz
SSB5215-681M-LF	680 \pm 20%	27.0	0.15	100KHz
SSB5215-102M-LF	1000 \pm 20%	33.0	0.13	100KHz

1. Operating temperature range : -40 $^{\circ}$ C to + 80 $^{\circ}$ C.
2. Test equivalent : HP4284A LCR meter or equivalent .
3. Electrical specifications at 25 $^{\circ}$ C.

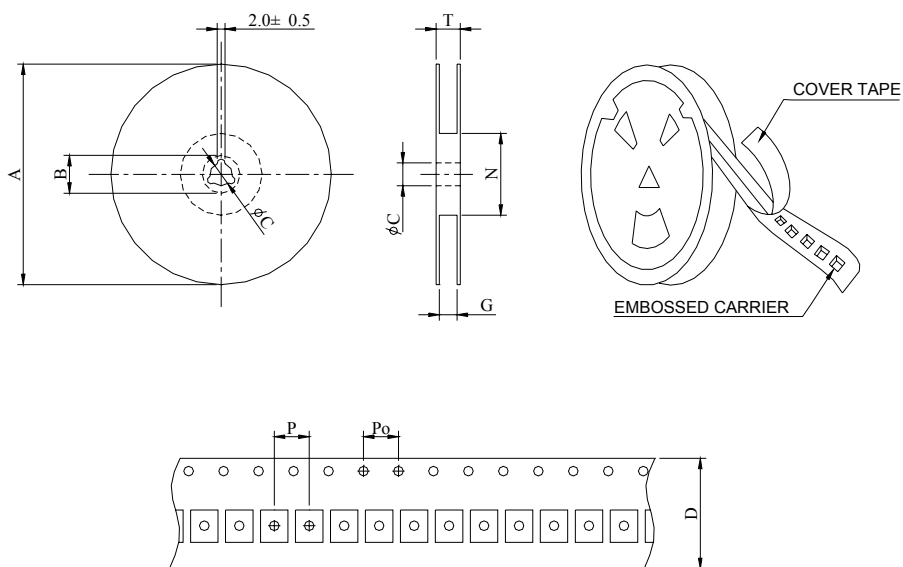


SSB5215 SERIES – Low Profile SMD Power Inductors



RoHS Compliant

PACKAGING SPECIFICATION



SERIES	STAYLE	Q' TY (PCS)	DIMENSIONS (m/m)								
			A	B±0.8	C±0.5	D	G ⁺⁰	N ⁰	P	Po	T
SSB5215	13-16	3000	330	21	13	16	18	50	8	4	22.4