



SSB5225 SERIES – Low Profile SMD Power Inductors



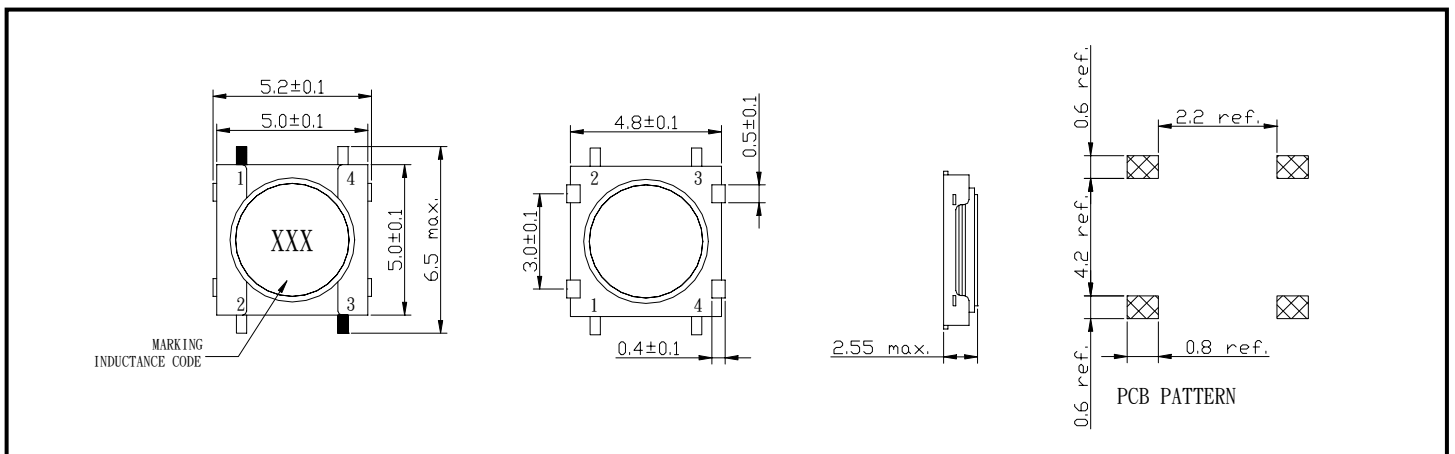
RoHS Compliant

PART NUMBERING SYSTEM

SSB	5 2 2 5	—	1 0 1 M	—	LF
TYPE	DIMENSIONS		INDUCTANCE		LEAD FREE

SHAPES AND DIMENSIONS

UNIT : mm



SPECIFICATION TABLE

PART NUMBER	INDUCTANCE (μ H)	DCR (Ω) (max)	IDC (A) (max)	TEST FREQ. (f)
SSB5225-101M-LF	100 \pm 20%	1.6	0.45	1KHz
SSB5225-151M-LF	150 \pm 20%	2.5	0.35	1KHz
SSB5225-221M-LF	220 \pm 20%	3.8	0.30	1KHz
SSB5225-331M-LF	330 \pm 20%	5.9	0.25	1KHz
SSB5225-471M-LF	470 \pm 20%	7.5	0.22	1KHz
SSB5225-681M-LF	680 \pm 20%	12.0	0.18	1KHz
SSB5225-102M-LF	1000 \pm 20%	20.0	0.14	1KHz
SSB5225-152M-LF	1500 \pm 20%	25.0	0.12	1KHz
SSB5225-222M-LF	2200 \pm 20%	45.0	0.09	1KHz
SSB5225-332M-LF	3300 \pm 20%	60.0	0.08	1KHz

1. Operating temperature range : -40 $^{\circ}$ C to + 80 $^{\circ}$ C .
2. Test equivalent : HP4284A LCR meter or equivalent .
3. Electrical specifications at 25 $^{\circ}$ C .

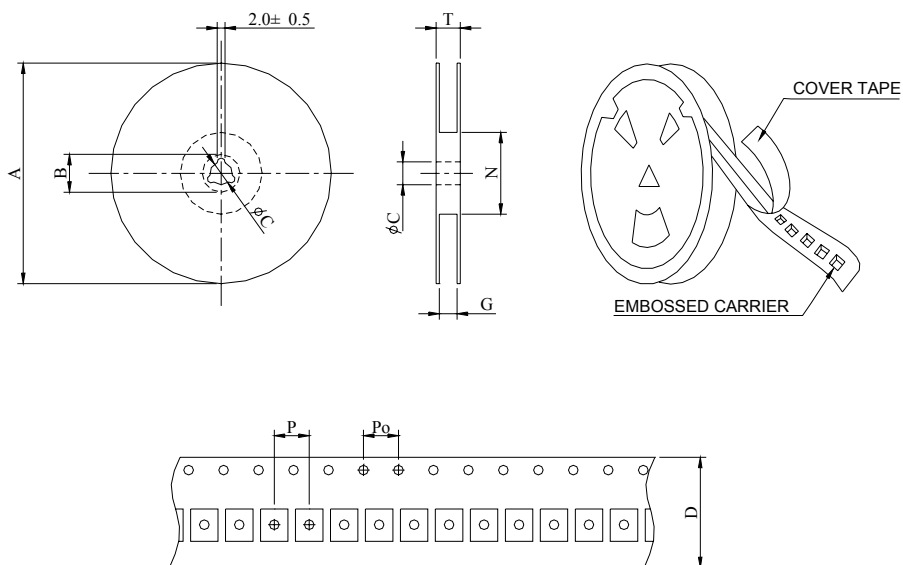


SSB5225 SERIES – Low Profile SMD Power Inductors



RoHS Compliant

PACKAGING SPECIFICATION



SERIES	STAYLE	Q' TY (PCS)	DIMENSIONS (m/m)								
			A	B ± 0.8	C ± 0.5	D	G ⁺⁰	N ⁻⁰	P	P ₀	T
SSB5225	13-16	2000	330	21	13	16	18	50	8	4	22.4