



SSB5418 SERIES – Low Profile SMD Power Inductors



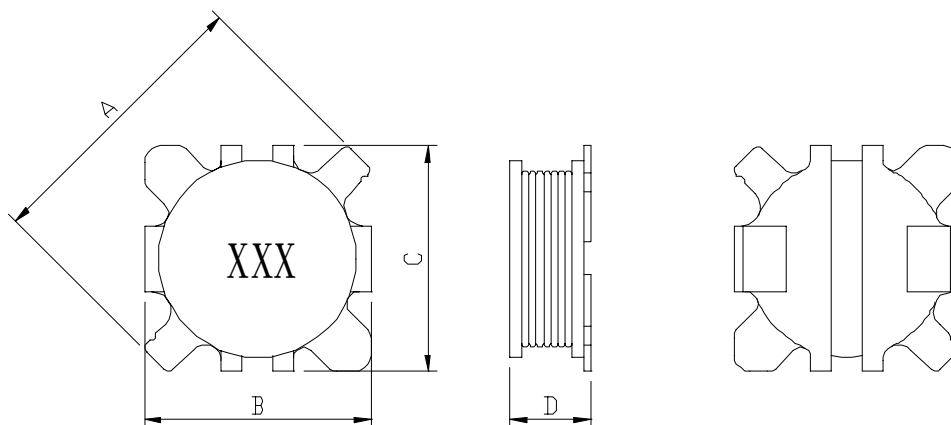
RoHS Compliant

PART NUMBERING SYSTEM

SSB	5 4 1 8	—	1 0 0 M	—	LF
TYPE	DIMENSIONS		INDUCTANCE		LEAD FREE

SHAPES AND DIMENSIONS

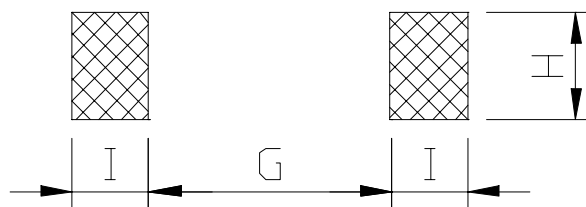
UNIT : mm



A=7.90 Max. B= 5.60±0.3 C=5.60±0.3 D=1.90 Max

RECOMMENDED PATTERNS

UNIT : mm



G=1.75 H=2.50 I=2.50



SSB5418 SERIES – Low Profile SMD Power Inductors



RoHS Compliant

SPECIFICATION TABLE

PART NUMBER	INDUCTANCE (μ H)	DCR (m Ω) (Max.)	Isat (A)	Irms (A)	TEST FREQ. (f)
SSB5418-2R2N-LF	2.2 \pm 30%	52	3.70	2.90	100KHz/0.1V
SSB5418-3R3N-LF	3.3 \pm 30%	69	2.90	2.40	100KHz/0.1V
SSB5418-4R7N-LF	4.7 \pm 30%	92	2.70	2.20	100KHz/0.1V
SSB5418-6R8N-LF	6.8 \pm 30%	136	2.20	1.80	100KHz/0.1V
SSB5418-8R2N-LF	8.2 \pm 30%	159	1.90	1.52	100KHz/0.1V
SSB5418-100M-LF	10.0 \pm 20%	184	1.50	1.50	100KHz/0.1V
SSB5418-150M-LF	15.0 \pm 20%	278	1.40	1.15	100KHz/0.1V
SSB5418-220M-LF	22.0 \pm 20%	378	1.15	0.97	100KHz/0.1V
SSB5418-330M-LF	33.0 \pm 20%	574	0.97	0.76	100KHz/0.1V
SSB5418-470M-LF	47.0 \pm 20%	844	0.81	0.65	100KHz/0.1V

- Inductance measured using a Coilmaster SMD fixture in an Agilent/HP 4284A or equivalent.
- Isat: DC current at which the inductance drops 10% (typ) from its value without current.
- Irms: Average current for 30°C (max) rise from +25°C ambient.
- Storage and ambient operating temperature range -40°C to +85°C.
- Packing : 13" reel, machine-ready ,embossed plastic tape (3,500 parts per full reel).