



SDR105 SERIES - SMD POWER INDUCTORS



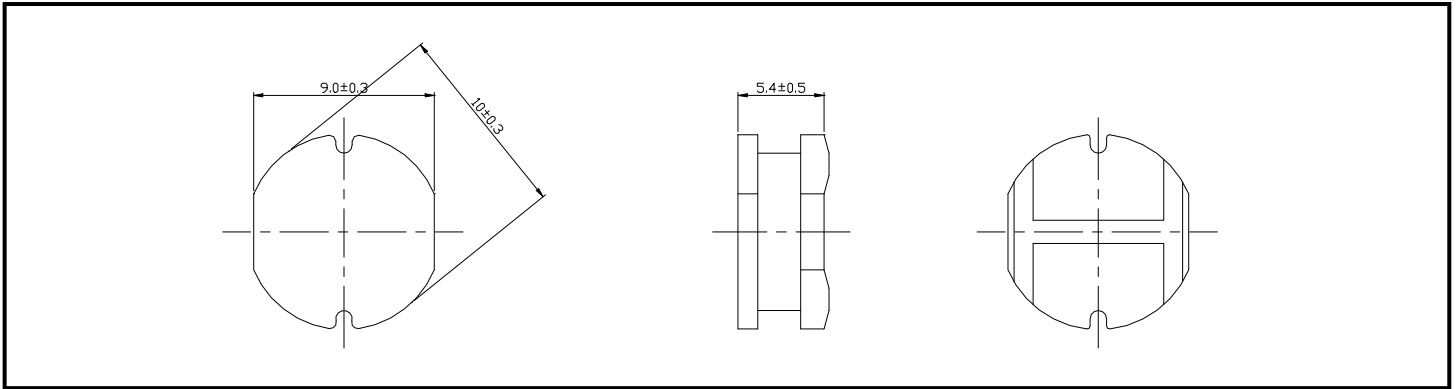
RoHS Compliant

PART NUMBERING SYSTEM

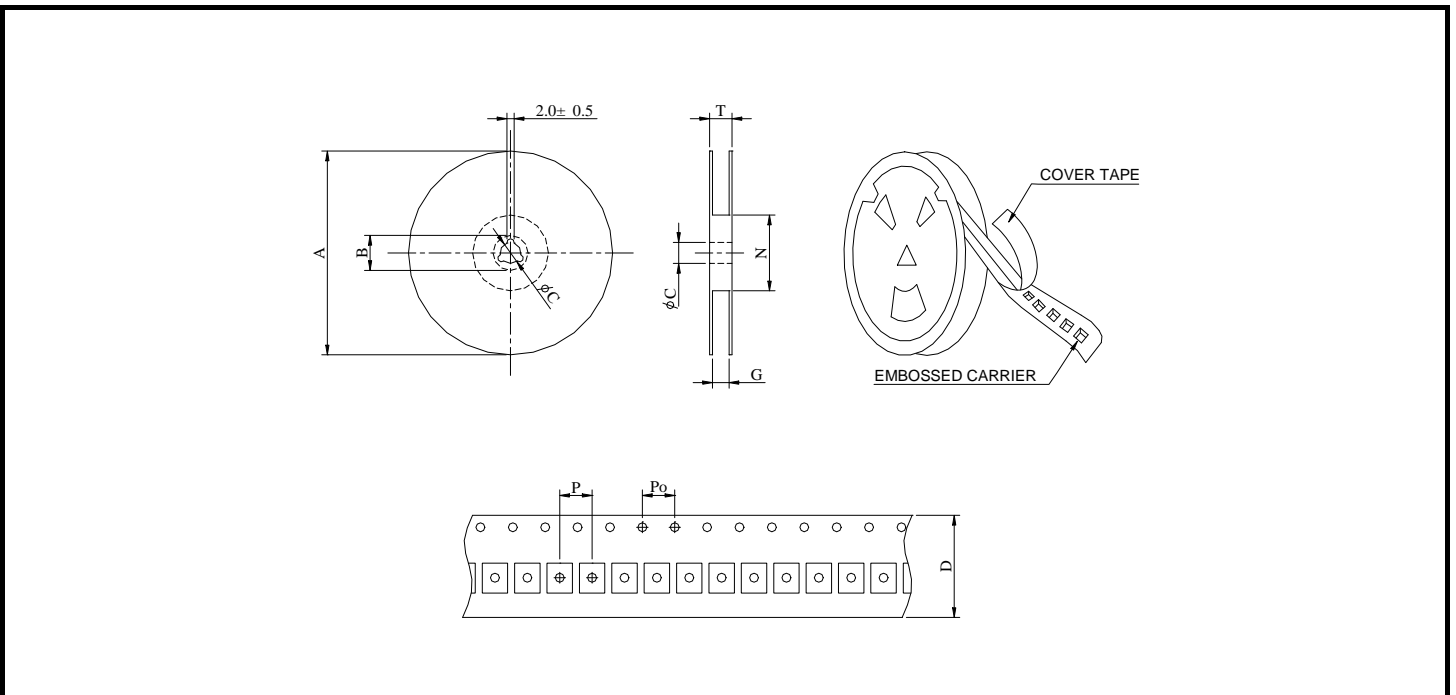
<u>SDR</u>	<u>105</u>	—	<u>680M</u>	—	<u>LF</u>
TYPE	DIMENSIONS		INDUCTANCE		LEAD FREE

SHAPES AND DIMENSIONS

UNIT : mm



PACKAGING SPECIFICATION



SERIES	STAYLE	Q' TY (PCS)	DIMENSIONS (m/m)								
			A	B±0.8	C±0.5	D	G ⁺⁰	N ⁰	P	Po	T
SDR105	13-24	500	330	21	13	24	26	50	12	4	30.4



Coilmaster Electronics Co., Ltd.

9F-3 No.398, Huan Bei Rd. Chung Li City, Taoyuan 320, Taiwan
Tel : +886-3-422-8279 Fax : +886-3-422-8734

E-mail : info@coilmaster.com.tw

Web Site : www.coilmaster.com.tw

SDR105 SERIES – SMD POWER INDUCTORS



RoHS Compliant

SPECIFICATION TABLE

PART NUMBER	INDUCTANCE (μ H)	DCR (Ω) (Max.)	IDC (A) (Max.)	TEST FREQ. (MHz)
SDR105-100M-LF	10 \pm 20%	0.06	2.60	2.52
SDR105-120M-LF	12 \pm 20%	0.07	2.45	2.52
SDR105-150M-LF	15 \pm 20%	0.08	2.27	2.52
SDR105-180M-LF	18 \pm 20%	0.09	2.15	2.52
SDR105-220M-LF	22 \pm 20%	0.10	1.95	2.52
SDR105-270M-LF	27 \pm 20%	0.11	1.76	2.52
SDR105-330M-LF	33 \pm 20%	0.14	1.50	2.52
SDR105-390M-LF	39 \pm 20%	0.17	1.37	2.52
SDR105-470K-LF	47 \pm 10%	0.25	1.28	2.52
SDR105-560K-LF	56 \pm 10%	0.19	1.17	2.52
SDR105-680K-LF	68 \pm 10%	0.22	1.11	2.52
SDR105-820K-LF	82 \pm 10%	0.25	1.00	2.52
SDR105-101K-LF	100 \pm 10%	0.35	0.97	1KHz
SDR105-121K-LF	120 \pm 10%	0.40	0.89	1KHz
SDR105-151K-LF	150 \pm 10%	0.47	0.78	1KHz
SDR105-181K-LF	180 \pm 10%	0.63	0.72	1KHz
SDR105-221K-LF	220 \pm 10%	0.73	0.66	1KHz
SDR105-271K-LF	270 \pm 10%	0.97	0.57	1KHz
SDR105-331K-LF	330 \pm 10%	1.15	0.52	1KHz
SDR105-391K-LF	390 \pm 10%	1.30	0.48	1KHz
SDR105-471K-LF	470 \pm 10%	1.48	0.42	1KHz
SDR105-561K-LF	560 \pm 10%	1.90	0.33	1KHz
SDR105-681K-LF	680 \pm 10%	2.25	0.28	1KHz
SDR105-821K-LF	820 \pm 10%	2.55	0.24	1KHz

- DC current at which the inductance drops 10% (typ) from its value without current.
- Operating temperature range -40°C to +125°C.
- Electrical specifications at 25°C.
- Packing : 13" reel, machine-ready ,embossed plastic tape (500 parts per full reel).