



SDS129LD SERIES ~

SMD Shielded Power Inductors



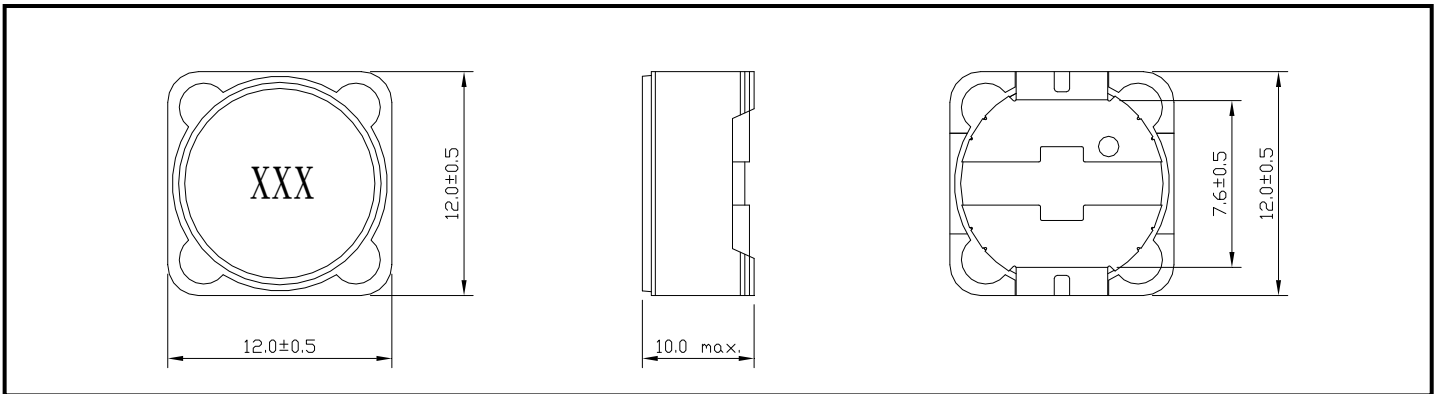
RoHS Compliant

PART NUMBERING SYSTEM

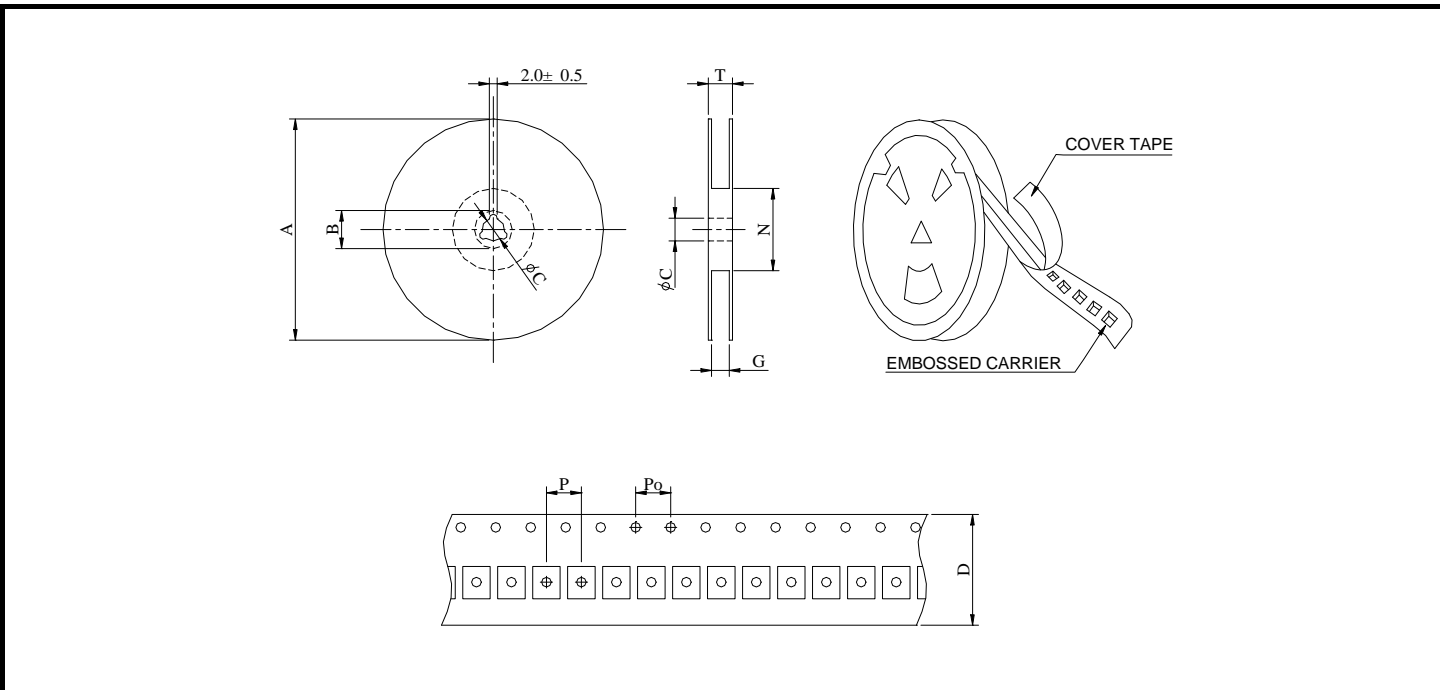
<u>SDS</u>	<u>129LD</u>	—	<u>680M</u>	—	<u>LF</u>
TYPE	DIMENSIONS		INDUCTANCE		LEAD FREE

SHAPES AND DIMENSIONS

UNIT : mm



PACKAGING SPECIFICATION



SERIES	STAYLE	Q' TY (PCS)	DIMENSIONS (m/m)								
			A	B±0.8	C±0.5	D	G ⁺⁰	N ⁰	P	Po	T
SDS129LD	13-24	400	330	21	13	24	26	50	20	4	30.4



SDS129LD SERIES ~

SMD Shielded Power Inductors



RoHS Compliant

SPECIFICATION TABLE

PART NUMBER	INDUCTANCE (μ H)	DCR (Ω) Max.(Typ.)	Isat(A) (Max.) @25°C	Irms(A) (Max.)	TEST FREQ. (f)
SDS129LD-1R0N-LF	1.0 \pm 30%	5.5m(4.4m)	19.90	11.60	1KHz/0.25V
SDS129LD-1R8N-LF	1.8 \pm 30%	6.5m(5.2m)	13.40	11.00	1KHz/0.25V
SDS129LD-2R5N-LF	2.5 \pm 30%	8.0m(6.4m)	12.16	10.30	1KHz/0.25V
SDS129LD-3R5N-LF	3.5 \pm 30%	9.7m(7.7m)	12.00	8.70	1KHz/0.25V
SDS129LD-4R7N-LF	4.7 \pm 30%	11.0m(8.9m)	10.08	8.40	1KHz/0.25V
SDS129LD-6R8N-LF	6.8 \pm 30%	12.4m(9.9m)	8.56	7.20	1KHz/0.25V
SDS129LD-7R5N-LF	7.5 \pm 30%	14.0m(11m)	8.48	6.80	1KHz/0.25V
SDS129LD-100N-LF	10 \pm 30%	18.0m(14.4m)	7.12	6.95	1KHz/0.25V
SDS129LD-100N-LF	12 \pm 30%	19.0m(15m)	7.04	6.20	1KHz/0.25V
SDS129LD-150M-LF	15 \pm 20%	26.0m(21m)	5.84	5.22	1KHz/0.25V
SDS129LD-220M-LF	22 \pm 20%	29.0m(23m)	5.12	4.95	1KHz/0.25V
SDS129LD-330M-LF	33 \pm 20%	53.0m(42m)	4.25	3.60	1KHz/0.25V
SDS129LD-470M-LF	47 \pm 20%	63.0m(50m)	3.60	3.40	1KHz/0.25V
SDS129LD-560M-LF	56 \pm 20%	68.0m(54m)	2.85	2.95	1KHz/0.25V
SDS129LD-680M-LF	68 \pm 20%	93.0m(74m)	2.76	2.85	1KHz/0.25V
SDS129LD-820M-LF	82 \pm 20%	99.0m(79m)	2.62	2.60	1KHz/0.25V
SDS129LD-101M-LF	100 \pm 20%	0.126(0.101)	2.31	2.45	1KHz/0.25V
SDS129LD-121M-LF	120 \pm 20%	0.154(0.123)	2.05	2.20	1KHz/0.25V
SDS129LD-151M-LF	150 \pm 20%	0.174(0.139)	1.80	1.90	1KHz/0.25V
SDS129LD-181M-LF	180 \pm 20%	0.191(0.153)	1.66	1.86	1KHz/0.25V
SDS129LD-221M-LF	220 \pm 20%	0.246(0.197)	1.64	1.72	1KHz/0.25V
SDS129LD-331M-LF	330 \pm 20%	0.386(0.309)	1.28	1.28	1KHz/0.25V
SDS129LD-471M-LF	470 \pm 20%	0.471(0.377)	1.06	1.25	1KHz/0.25V
SDS129LD-561M-LF	560 \pm 20%	0.650(0.520)	1.01	0.98	1KHz/0.25V
SDS129LD-681M-LF	680 \pm 20%	0.730(0.584)	0.83	0.96	1KHz/0.25V



SDS129LD SERIES ~

SMD Shielded Power Inductors



RoHS Compliant

SPECIFICATION TABLE

PART NUMBER	INDUCTANCE (μ H)	DCR (Ω) Max.(Typ.)	Isat(A) (Max.) @25°C	Irms(A) (Max.)	TEST FREQ. (f)
SDS129LD-821M-LF	820 \pm 20%	0.824(0.659)	0.81	0.94	1KHz/0.25V
SDS129LD-102M-LF	1000 \pm 20%	1.220(0.970)	0.70	0.78	1KHz/0.25V
SDS129LD-122M-LF	1200 \pm 20%	1.330(1.110)	0.64	0.79	1KHz/0.25V
SDS129LD-152M-LF	1500 \pm 20%	1.990(1.660)	0.56	0.58	1KHz/0.25V
SDS129LD-182M-LF	1800 \pm 20%	2.180(1.820)	0.48	0.54	1KHz/0.25V
SDS129LD-222M-LF	2200 \pm 20%	2.580(2.150)	0.43	0.52	1KHz/0.25V

- DC current at which the inductance drops 10% (typ) from its value without current.
- Operating temperature range -40°C to +85°C.
- Electrical specifications at 20°C .
- **PLATING / SOLDER : TIN-SILVER-COPPER (95.5%/4.0%/0.5%)**

FEATURES

1. Magnetically shielded construction
2. **12.5 \times 12.5mm Max.(L \times W), 10.0mm Max. Height.**
3. Inductance range: **1.0 μ H to 2.2mH .**
4. DC current up to **19.9A .**
5. Custom design is available .
6. Operating temperature range: -40°C to +125°C (Including coil's self temperature rise).
7. Ideally used in Notebook PC, LCD TV,DVD, Game machine, STB ,Projector etc as DC-DC converter Inductors.
8. RoHS compliance and Halogen Free.