



SDS2D15 SERIES

Low Profile Shielded Power Inductors



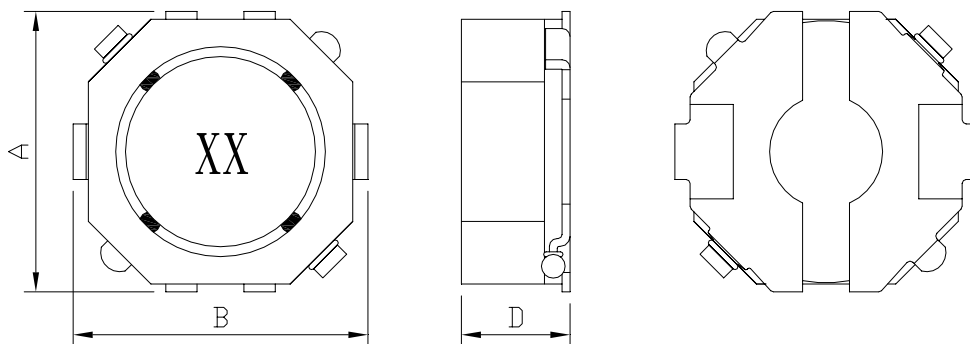
RoHS Compliant

PART NUMBERING SYSTEM

SDS	2D15	—	4 R 7 N	—	LF
TYPE	DIMENSIONS		INDUCTANCE		LEAD FREE

SHAPES AND DIMENSIONS

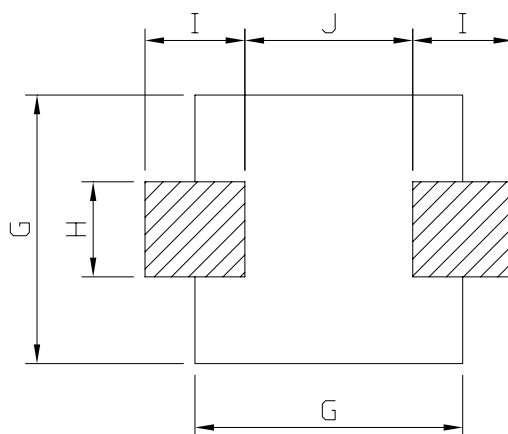
UNIT : mm



A=3.2 Max. B=3.2 Max. D=1.5 Max.

RECOMMENDED PATTERNS

UNIT : mm



G=3.2 H=1.2 I=1.1 J=1.8



SDS2D15 SERIES

Low Profile Shielded Power Inductors



RoHS Compliant

ELECTRICAL CHARACTERISTICS :

PART NUMBER	INDUCTANCE (μ H)	DCR (m Ω) Max.(Typ.)	Isat (A) (Max.)	Irms (A) (Max.)	Stamp
SDS2D15-2R2N-LF	2.2 \pm 30%	150(115)	1.00	1.00	2R
SDS2D15-3R3N-LF	3.3 \pm 30%	234(180)	0.90	0.90	3R
SDS2D15-4R7N-LF	4.7 \pm 30%	338(260)	0.80	0.85	4R
SDS2D15-5R6N-LF	5.6 \pm 30%	364(280)	0.70	0.80	5R
SDS2D15-6R8N-LF	6.8 \pm 30%	416(320)	0.60	0.77	6R
SDS2D15-8R2N-LF	8.2 \pm 30%	572(440)	0.55	0.72	8R
SDS2D15-100M-LF	10 \pm 20%	624(480)	0.50	0.70	10
SDS2D15-120M-LF	12 \pm 20%	702(540)	0.45	0.65	12
SDS2D15-150M-LF	15 \pm 20%	949(730)	0.40	0.50	15
SDS2D15-180M-LF	18 \pm 20%	1090(840)	0.35	0.40	18
SDS2D15-220M-LF	22 \pm 20%	1250(960)	0.30	0.30	22

- Inductance tested at 100 kHz, 0.1 Vrms, 0 Adc using an Agilent/HP 4263B LCR meter or equivalent.
- Isat : DC current at which the inductance drops 30% (typ) from its value without current.
- Iirms: The actual current when temperature of coil becomes Δ 40°C . (Ta=+20°C)
- Operating temperature range -40°C to +85°C , Electrical specifications at 20°C.
- Packing : 13" reel, machine-ready ,embossed plastic tape (3,000 parts per full reel).