



SDS3010 SERIES ~ **New Products**



RoHS Compliant

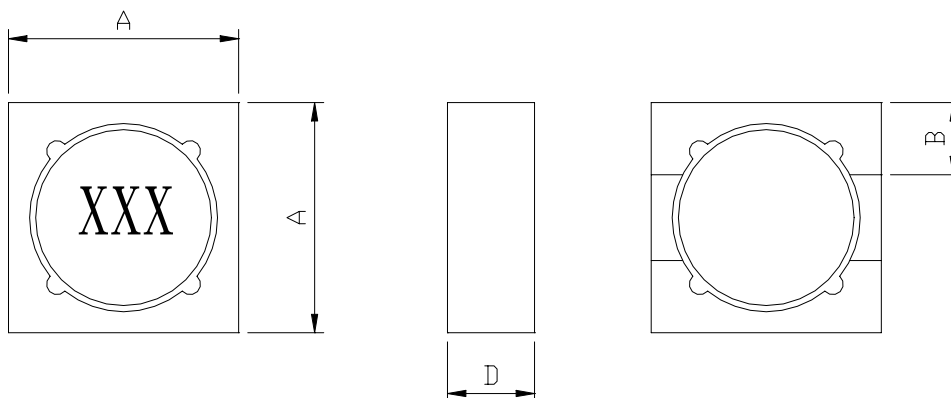
Low Profile Shielded Power Inductors

PART NUMBERING SYSTEM

SDS	3 0 1 0	—	6 8 0 M	—	LF
TYPE	DIMENSIONS		INDUCTANCE		LEAD FREE

SHAPES AND DIMENSIONS

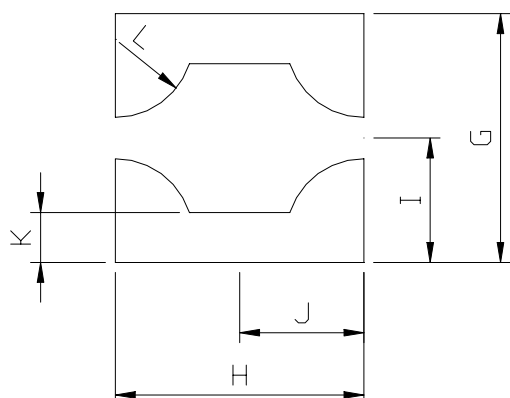
UNIT : mm



A=3.0 Max. B=0.89 Typ. D=1.0 Max

RECOMMENDED PATTERNS

UNIT : mm



G=3.30 H=3.30

I=1.65 J=1.65

K=0.63 L=1.14

FEATURES

- **Compact, Low profile shielded power inductor** – only **1,0 mm** high, **3 mm** square
- Ideal for **high-density applications**
- Handles **current up to 2.3 Amps!**
- **RoHS-compliant.** 260°C compatible.



SDS3010 SERIES ~ *New Products*



RoHS Compliant

Low Profile Shielded Power Inductors

SPECIFICATION TABLE

PART NUMBER	INDUCTANCE (μ H)	DCR (Ω) (Max.)	I _{rms} (A) (Max.)	I _{sat} (A) (Max.)	SRF typ. (HZ)
SDS3010-R47M-LF	0.47 \pm 20%	0.070	1.80	2.30	370
SDS3010-R68M-LF	0.68 \pm 20%	0.080	1.50	1.80	270
SDS3010-1R0M-LF	1.0 \pm 20%	0.085	1.30	1.60	230
SDS3010-1R5M-LF	1.5 \pm 20%	0.120	1.20	1.30	165
SDS3010-1R8M-LF	1.8 \pm 20%	0.150	1.00	1.20	150
SDS3010-2R2M-LF	2.2 \pm 20%	0.220	0.90	1.09	130
SDS3010-3R3M-LF	3.3 \pm 20%	0.220	0.85	0.82	110
SDS3010-4R7M-LF	4.7 \pm 20%	0.300	0.70	0.72	92
SDS3010-5R6M-LF	5.6 \pm 20%	0.400	0.60	0.66	80
SDS3010-6R8M-LF	6.8 \pm 20%	0.450	0.56	0.62	70
SDS3010-8R2M-LF	8.2 \pm 20%	0.500	0.53	0.55	62
SDS3010-100M-LF	10 \pm 20%	0.540	0.48	0.51	58
SDS3010-120M-LF	12 \pm 20%	0.700	0.44	0.45	47
SDS3010-150M-LF	15 \pm 20%	0.950	0.38	0.40	43
SDS3010-180M-LF	18 \pm 20%	1.00	0.33	0.37	40
SDS3010-220M-LF	22 \pm 20%	1.20	0.30	0.33	36
SDS3010-330M-LF	33 \pm 20%	2.00	0.26	0.27	27
SDS3010-470M-LF	47 \pm 20%	3.20	0.22	0.24	21
SDS3010-680M-LF	68 \pm 20%	3.50	0.20	0.20	21
SDS3010-101M-LF	100 \pm 20%	5.25	0.18	0.16	14
SDS3010-121M-LF	120 \pm 20%	6.10	0.15	0.13	12
SDS3010-151M-LF	150 \pm 20%	9.15	0.13	0.13	11
SDS3010-181M-LF	180 \pm 20%	10.1	0.11	0.11	9
SDS3010-221M-LF	220 \pm 20%	12.5	0.095	0.11	8
SDS3010-331M-LF	330 \pm 20%	18.5	0.085	0.10	7

- Inductance tested at 100 kHz, 0.1 V_{rms}, 0 A_{dc} using an Agilent/HP 4263B LCR meter or equivalent.
- I_{sat}: For inductance values \geq 10 μ H, DC current at which the inductance drops 20% (max) from its value without current. For inductance values <10 μ H, DC current at which the inductance drops 30% (max) from its value without current.
- I_{rms}: Current that causes specified temperature rise from 25°C ambient.
- Operating temperature range -40°C to +85°C ,
- Electrical specifications at 20°C .



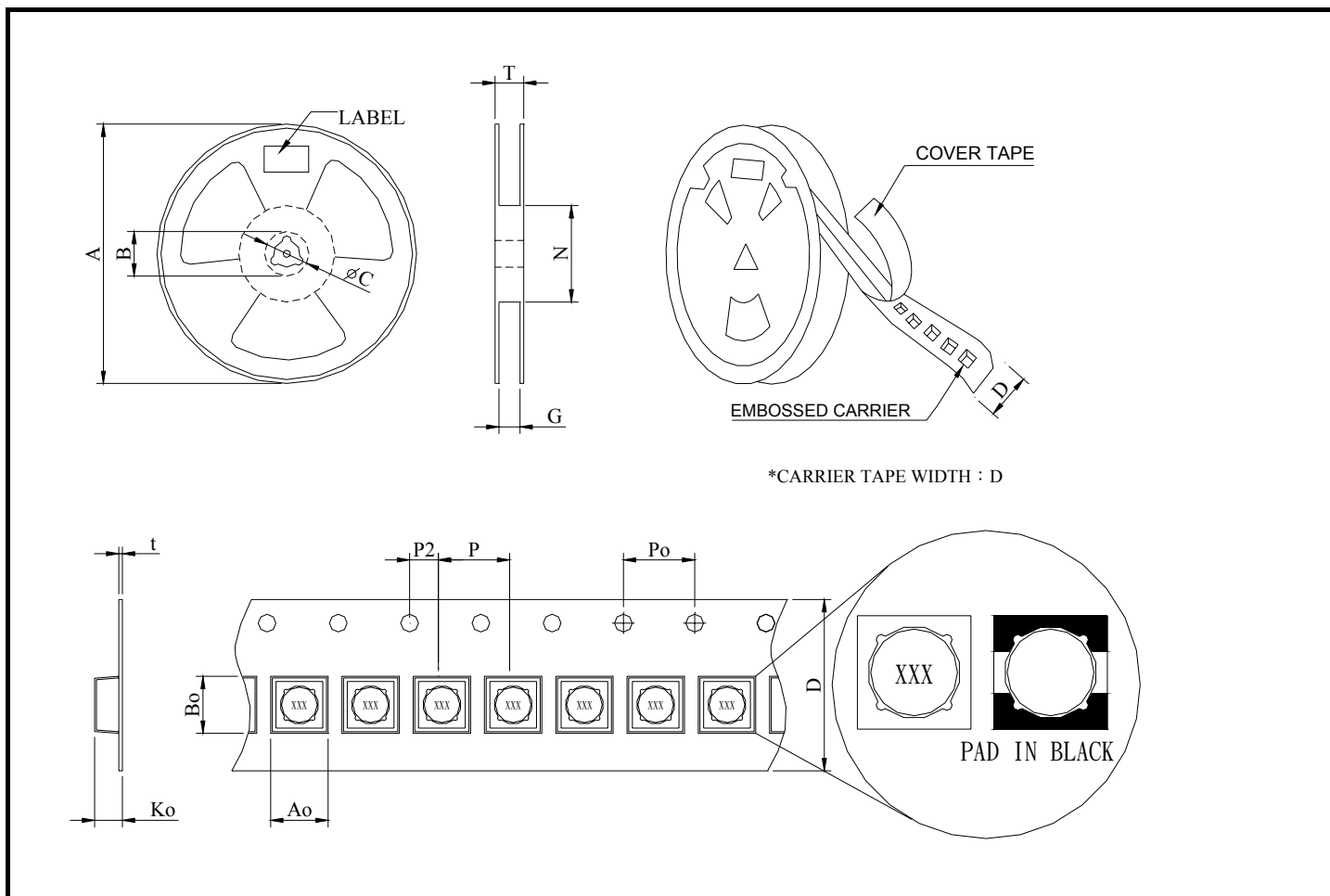
SDS3010 SERIES ~ *New Products*



RoHS Compliant

Low Profile Shielded Power Inductors

PACKAGING SPECIFICATION



*CARRIER TAPE WIDTH : D

STAYLE	DIMENSIONS (m/m)														
	Q'TY (PCS)	A	B	C	D	G	N	T	Ao	Bo	Ko	t	P	Po	P2
13"	3,500	330	100	13	12 ±0.3	12.4	—	18.4	3.45	3.45	1.3	0.23	8	4	2 ±0.02