



SDS3D15 SERIES

Low Profile Shielded Power Inductors



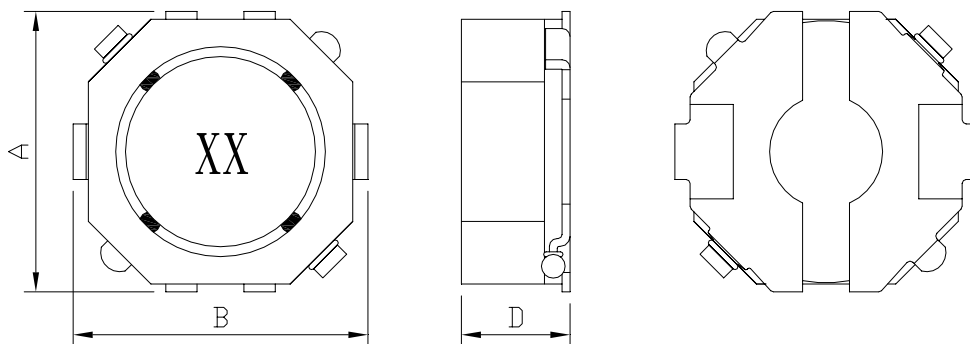
RoHS Compliant

PART NUMBERING SYSTEM

SDS	3D15	—	1 R 0 N	—	LF
TYPE	DIMENSIONS		INDUCTANCE		LEAD FREE

SHAPES AND DIMENSIONS

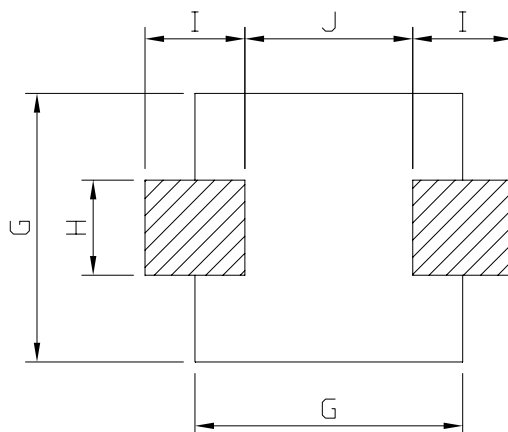
UNIT : mm



A=4.0 Max. B=4.0 Max. D=1.5 Max.

RECOMMENDED PATTERNS

UNIT : mm



G=4.0 H=1.5 I=1.4 J=2.0



SDS3D15 SERIES

Low Profile Shielded Power Inductors



RoHS Compliant

ELECTRICAL CHARACTERISTICS :

PART NUMBER	INDUCTANCE (μ H)	DCR (m Ω) Max.(Typ.)	Isat (A) (Max.)	Irms (A) (Max.)	Stamp
SDS3D15-1R0N-LF	1.0 \pm 30%	78(62)	2.00	1.80	1R0
SDS3D15-1R5N-LF	1.5 \pm 30%	94(75)	1.70	1.70	1R5
SDS3D15-2R2N-LF	2.2 \pm 30%	106(85)	1.40	1.60	2R2
SDS3D15-2R7N-LF	2.7 \pm 30%	118(95)	1.30	1.50	2R7
SDS3D15-3R3N-LF	3.3 \pm 30%	131(105)	1.10	1.40	3R3
SDS3D15-3R9N-LF	3.9 \pm 30%	143(115)	1.00	1.30	3R9
SDS3D15-4R7N-LF	4.7 \pm 30%	162(130)	0.95	1.20	4R7
SDS3D15-5R6N-LF	5.6 \pm 30%	175(140)	0.90	1.10	5R6
SDS3D15-6R8N-LF	6.8 \pm 30%	212(170)	0.85	1.00	6R8
SDS3D15-8R2N-LF	8.2 \pm 30%	237(190)	0.80	0.95	8R2
SDS3D15-100M-LF	10 \pm 20%	262(210)	0.70	0.90	100
SDS3D15-120M-LF	12 \pm 20%	350(280)	0.60	0.80	120
SDS3D15-150M-LF	15 \pm 20%	456(365)	0.55	0.75	150
SDS3D15-180M-LF	18 \pm 20%	506(405)	0.50	0.70	180
SDS3D15-220M-LF	22 \pm 20%	575(460)	0.45	0.55	220
SDS3D15-270M-LF	27 \pm 20%	675(540)	0.40	0.53	270
SDS3D15-330M-LF	33 \pm 20%	937(750)	0.35	0.50	330
SDS3D15-390M-LF	39 \pm 20%	1037(830)	0.32	0.45	390
SDS3D15-470M-LF	47 \pm 20%	1262(1010)	0.28	0.43	470

- Inductance tested at 100 kHz, 0.1 Vrms, 0 Adc using an Agilent/HP 4263B LCR meter or equivalent.
- Isat : DC current at which the inductance drops 30% (typ) from its value without current.
- Iirms: The actual current when temperature of coil becomes Δ 40 $^{\circ}$ C . (Ta=+20 $^{\circ}$ C)
- Operating temperature range -40 $^{\circ}$ C to +85 $^{\circ}$ C , Electrical specifications at 20 $^{\circ}$ C.
- Packing : 13" reel, machine-ready ,embossed plastic tape (3,000 parts per full reel).