



SDS4011LD SERIES ~



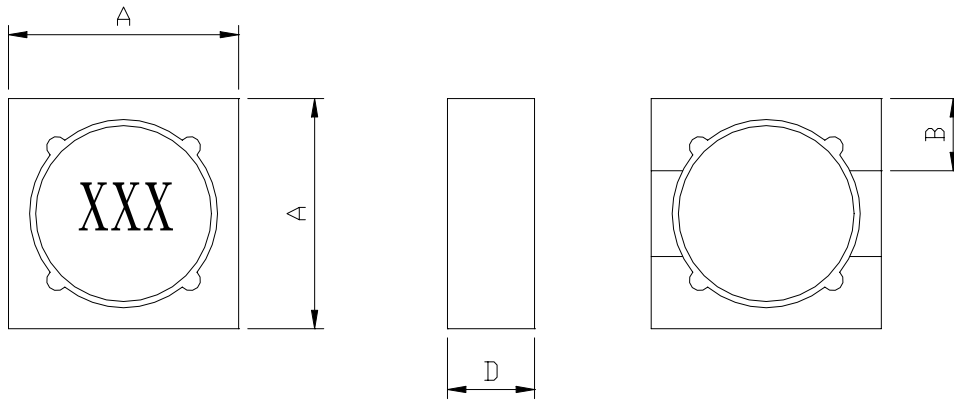
Low Profile Shielded Power Inductors

PART NUMBERING SYSTEM

<u>SDS</u>	<u>4 0 1 1 LD</u>	—	<u>4 R 7 N</u>	—	<u>LF</u>
TYPE	DIMENSIONS		INDUCTANCE		LEAD FREE

SHAPES AND DIMENSIONS

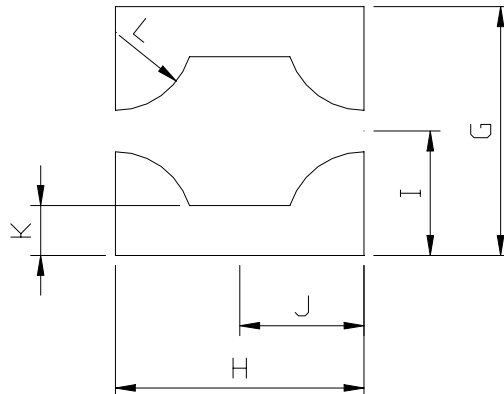
UNIT : mm



A=4.1 Max. B=1.3 Typ. D=1.3 Max

RECOMMENDED PATTERNS

UNIT : mm



G=4.30 H=4.30 I=2.15 J=2.15 K=0.7 L=1.25



SDS4011LD SERIES ~

Low Profile Shielded Power Inductors



RoHS Compliant

SPECIFICATION TABLE

PART NUMBER	INDUCTANCE (μ H)	DCR (m Ω) (Max.)	Isat (A)	Irms (A)	Marking
SDS4011LD-1R5N-LF	1.50 \pm 30%	55	1.30	1.60	A
SDS4011LD-2R5N-LF	2.50 \pm 30%	85	1.10	1.20	B
SDS4011LD-3R3N-LF	3.30 \pm 30%	90	0.85	1.00	C
SDS4011LD-4R7N-LF	4.70 \pm 30%	145	0.75	0.90	D
SDS4011LD-6R8N-LF	6.80 \pm 30%	210	0.62	0.72	E
SDS4011LD-100N-LF	10.0 \pm 30%	280	0.50	0.65	F
SDS4011LD-150N-LF	15.0 \pm 30%	420	0.38	0.48	G
SDS4011LD-220N-LF	22.0 \pm 30%	680	0.32	0.38	H
SDS4011LD-330N-LF	33.0 \pm 30%	860	0.27	0.32	I
SDS4011LD-470N-LF	47.0 \pm 30%	1800	0.23	0.27	J
SDS4011LD-680N-LF	58.0 \pm 30%	2250	0.18	0.22	K
SDS4011LD-101N-LF	100.0 \pm 30%	3600	0.15	0.18	L

- Test Frequency : 100KHz/0.1Vrms.
- Inductance measured using a Coilmaster SMD fixture in an Agilent/HP 4284A or equivalent.
- Isat: DC current at which the inductance drops 35% (typ) from its value without current.
- Irms: Average current for 30°C (max) rise from +25°C ambient.
- Storage and ambient operating temperature range -40°C to +85°C. Electrical specifications at 25°C.



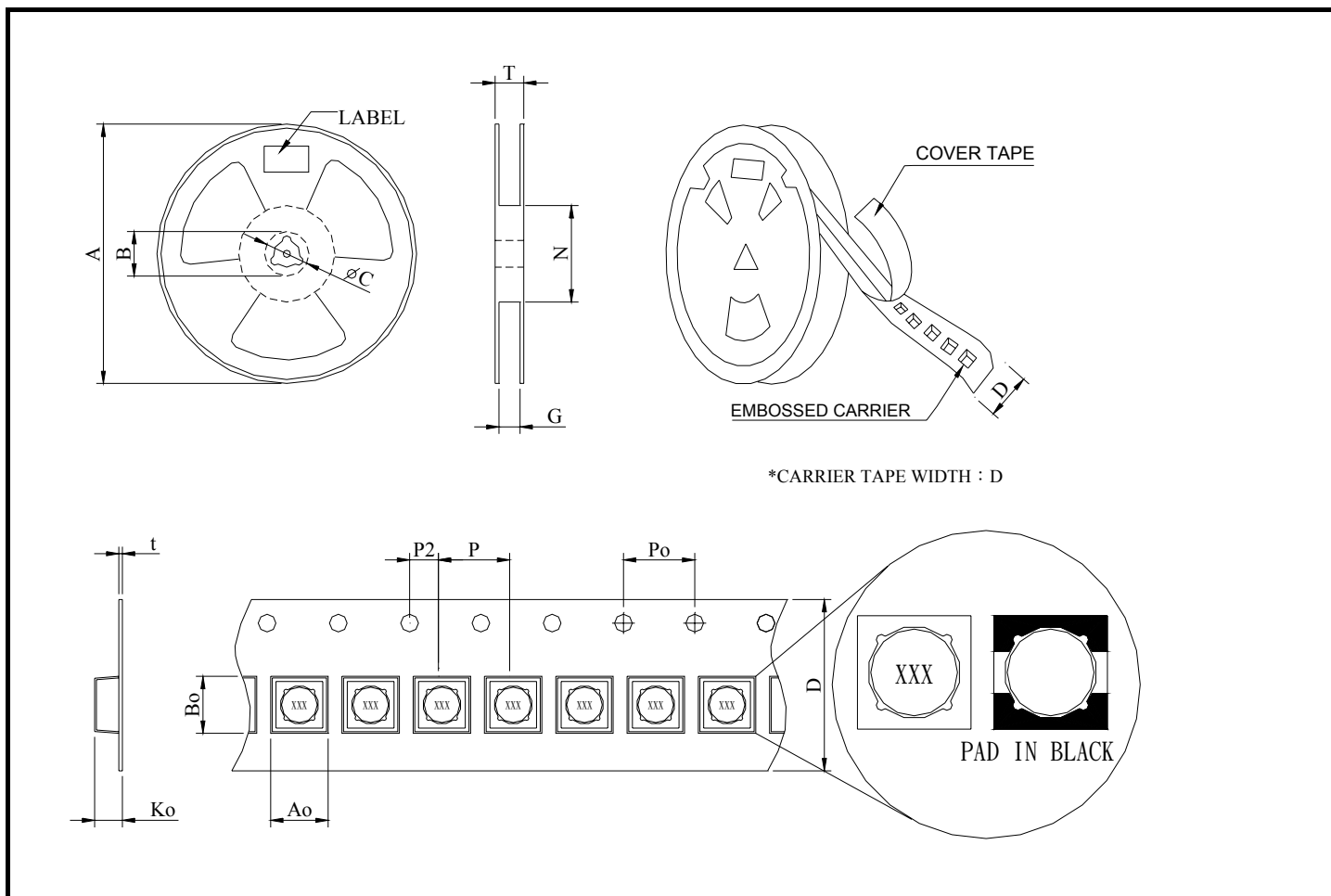
SDS4011LD SERIES ~

Low Profile Shielded Power Inductors



RoHS Compliant

PACKAGING SPECIFICATION



STAYLE	DIMENSIONS (m/m)														
	Q'TY (PCS)	A	B	C	D	G	N	T	Ao	Bo	Ko	t	P	Po	P2
13"	3,500	330	—	—	12 ±0.3	—	—	—	4.55	4.55	1.7	0.23	8	4	2