



SDS4018 SERIES ~



RoHS Compliant

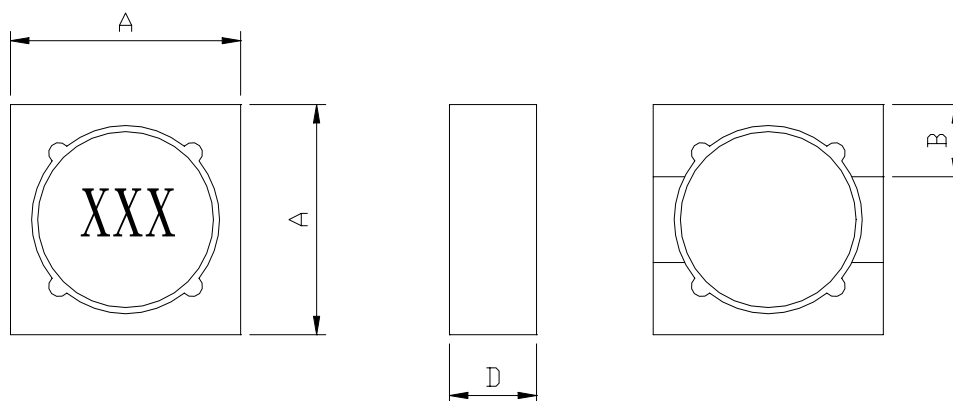
Low Profile Shielded Power Inductors

PART NUMBERING SYSTEM

<u>SDS</u>	<u>4 0 1 8</u>	—	<u>4 R 7 N</u>	—	<u>LF</u>
TYPE	DIMENSIONS		INDUCTANCE		LEAD FREE

SHAPES AND DIMENSIONS

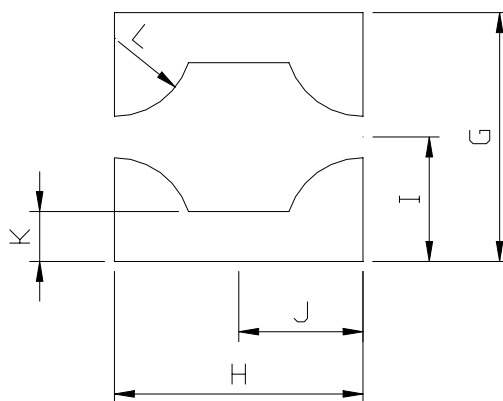
UNIT : mm



A=4.1 Max. B=1.3 Typ. D=1.8 Max

RECOMMENDED PATTERNS

UNIT : mm



G=4.30 H=4.30 I=2.15 J=2.15 K=0.7 L=1.25



SDS4018 SERIES ~

Low Profile Shielded Power Inductors



RoHS Compliant

SPECIFICATION TABLE

PART NUMBER	INDUCTANCE (μ H)	DCR (m Ω) (Max.)	Isat (A)	Irms (A)	TEST FREQ. (f)
SDS4018-1R5N-LF	1.50 \pm 30%	47	1.55	1.75	100KHz/0.1V
SDS4018-2R5N-LF	2.50 \pm 30%	58	1.25	1.45	100KHz/0.1V
SDS4018-3R3N-LF	3.30 \pm 30%	85	1.10	1.38	100KHz/0.1V
SDS4018-4R7N-LF	4.70 \pm 30%	105	0.90	1.20	100KHz/0.1V
SDS4018-6R8N-LF	6.80 \pm 30%	156	0.75	0.85	100KHz/0.1V
SDS4018-100N-LF	10.0 \pm 30%	205	0.56	0.74	100KHz/0.1V
SDS4018-150N-LF	15.0 \pm 30%	285	0.45	0.62	100KHz/0.1V
SDS4018-220N-LF	22.0 \pm 30%	450	0.36	0.51	100KHz/0.1V
SDS4018-330N-LF	33.0 \pm 30%	660	0.32	0.42	100KHz/0.1V
SDS4018-470N-LF	47.0 \pm 30%	1000	0.25	0.39	100KHz/0.1V
SDS4018-680N-LF	68.0 \pm 30%	1450	0.22	0.32	100KHz/0.1V
SDS4018-101N-LF	100.0 \pm 30%	2400	0.18	0.25	100KHz/0.1V

- ※ Inductance measured using a Coilmaster SMD fixture in an Agilent/HP 4284A or equivalent.
- ※ Isat: DC current at which the inductance drops 35% (typ) from its value without current.
- ※ Irms: Average current for 30°C (max) rise from +25°C ambient.
- ※ Storage and ambient operating temperature range -40°C to +85°C.
- ※ Electrical specifications at 25°C.



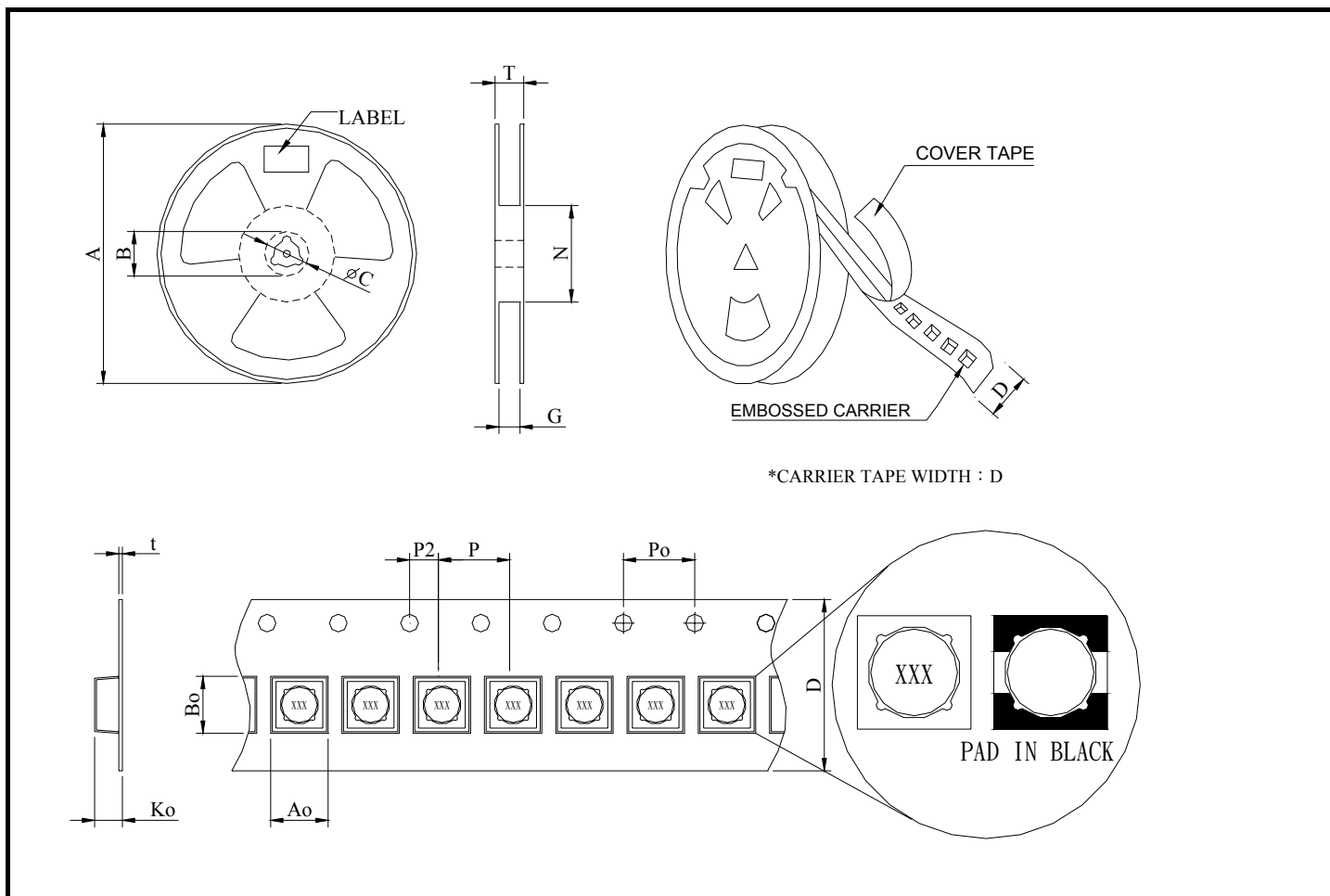
SDS4018 SERIES ~

Low Profile Shielded Power Inductors



RoHS Compliant

PACKAGING SPECIFICATION



STAYLE	DIMENSIONS (m/m)														
	Q'TY (PCS)	A	B	C	D	G	N	T	Ao	Bo	Ko	t	P	Po	P2
13"	2,000	—	—	—	12 ±0.3	—	—	—	5.45	5.45	2.2	—	8	4	2 ±0.02