



SDS5018 SERIES ~



RoHS Compliant

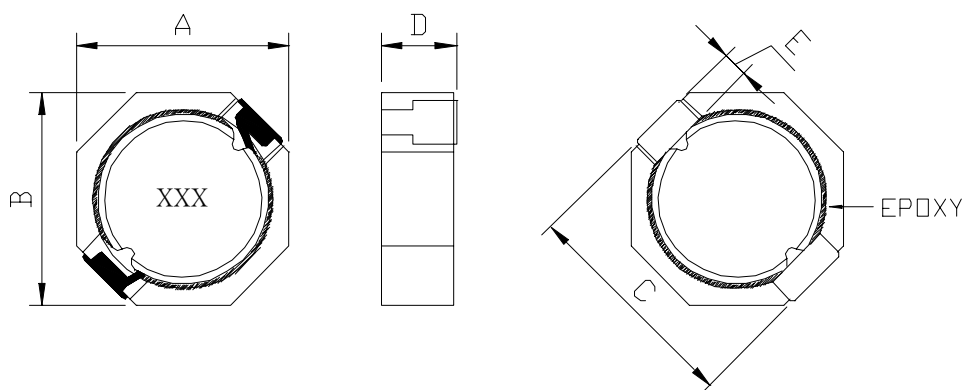
Low Profile Shielded Power Inductors

PART NUMBERING SYSTEM

SDS	5 0 1 8	—	6 8 0 M	—	LF
TYPE	DIMENSIONS		INDUCTANCE		LEAD FREE

SHAPES AND DIMENSIONS

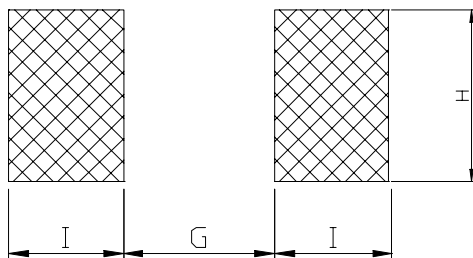
UNIT : mm



A=5.20 max. B=5.20 max. C=5.60 max. D=1.80 max. E=0.60 REF

RECOMMENDED PATTERNS

UNIT : mm



G= 3.40 H= 2.00 I = 1.30 J =1.30

FEATURES

- Low profile (1.80mm max. height) and 5.2mm max. square.
- Magnetically shielded and low DC resistance .
- Suitable as inductors for Cellular phone .
- Ideal for a variety of DC-DC converter inductor .
- Most suitable for portable electronic equipment requiring low profile and high density mounting .



SDS5018 SERIES ~



RoHS Compliant

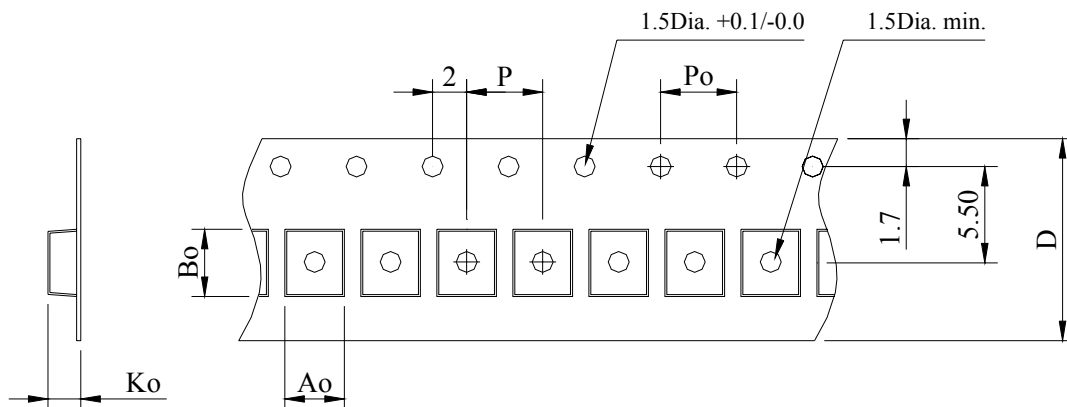
Low Profile Shielded Power Inductors

SPECIFICATION TABLE

PART NUMBER	INDUCTANCE (μ H)	DCR (m Ω) (Max.)	Isat (A) (Max.)	Irms (A) (Max.)	TEST FREQ. (f)
SDS5018-1R2M-LF	1.2 \pm 20%	46	1.80	1.97	100KHz
SDS5018-1R8M-LF	1.8 \pm 20%	54	1.60	1.77	100KHz
SDS5018-2R3M-LF	2.3 \pm 20%	63	1.50	1.67	100KHz
SDS5018-3R6M-LF	3.6 \pm 20%	82	1.20	1.42	100KHz
SDS5018-4R3M-LF	4.3 \pm 20%	92	1.10	1.34	100KHz
SDS5018-5R1M-LF	5.1 \pm 20%	105	1.00	1.18	100KHz
SDS5018-6R8M-LF	6.8 \pm 20%	130	0.94	1.14	100KHz
SDS5018-100M-LF	10 \pm 20%	180	0.80	0.95	100KHz
SDS5018-150M-LF	15 \pm 20%	270	0.64	0.77	100KHz
SDS5018-180M-LF	18 \pm 20%	320	0.56	0.70	100KHz
SDS5018-220M-LF	22 \pm 20%	450	0.49	0.62	100KHz
SDS5018-330M-LF	33 \pm 20%	640	0.41	0.49	100KHz
SDS5018-470M-LF	47 \pm 20%	930	0.33	0.39	100KHz

- Isat : DC current at which the inductance drops 30%(typ) from its value without current.
- I rms : : Average current for 40°C temperature rise from 20°C ambient.
- Operating temperature range -40°C to +85°C , Electrical specifications at 20°C .

PACKAGING SPECIFICATION



STAYLE	Q' TY (PCS)	DIMENSIONS (m/m)					
		Ao	Bo	Ko	P	Po	D \pm 0.3
13"	2,000	5.72	5.72	2.40	8.00	4.00	12.0