



# SDS5210 SERIES ~

## Low Profile Shielded Power Inductors



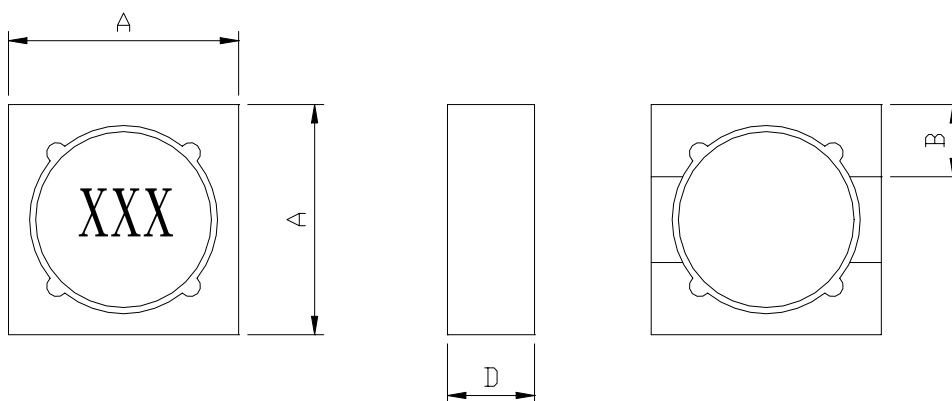
RoHS Compliant

### PART NUMBERING SYSTEM

<b>SDS</b>	<b>5 2 1 0</b>	—	<b>6 8 0 M</b>	—	<b>LF</b>
TYPE	DIMENSIONS		INDUCTANCE		LEAD FREE

### SHAPES AND DIMENSIONS

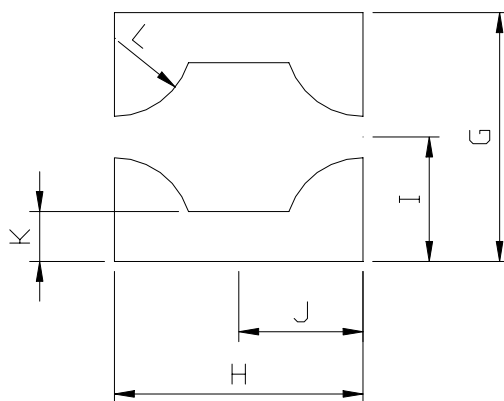
UNIT : mm



A=5.2 Max. B=5.2 Max. D=1.0 Max

### RECOMMENDED PATTERNS

UNIT : mm



G=5.95 H=5.15 I=2.975 J=2.575 K=1.0 L=2.25



## SDS5210 SERIES ~

### Low Profile Shielded Power Inductors



RoHS Compliant

#### SPECIFICATION TABLE

PART NUMBER	INDUCTANCE ( $\mu$ H)	DCR ( $\Omega$ ) (Max.)	I <sub>rms</sub> (A) (Max.)	I <sub>sat</sub> (A) (Max.)	TEST FREQ. ( f )
SDS5210-R47M-LF	0.47 $\pm$ 20%	0.0311	2.59	3.54	100KHz
SDS5210-1R0M-LF	1.0 $\pm$ 20%	0.0560	1.93	2.25	100KHz
SDS5210-1R5M-LF	1.5 $\pm$ 20%	0.0816	1.60	1.91	100KHz
SDS5210-2R2M-LF	2.2 $\pm$ 20%	0.1140	1.35	1.65	100KHz
SDS5210-3R3M-LF	3.3 $\pm$ 20%	0.1348	1.24	1.31	100KHz
SDS5210-4R7M-LF	4.7 $\pm$ 20%	0.1919	1.04	1.08	100KHz
SDS5210-6R2M-LF	6.2 $\pm$ 20%	0.2338	0.94	0.92	100KHz
SDS5210-8R2M-LF	8.2 $\pm$ 20%	0.3259	0.80	0.80	100KHz
SDS5210-100M-LF	10 $\pm$ 20%	0.3610	0.76	0.752	100KHz
SDS5210-150M-LF	15 $\pm$ 20%	0.5536	0.613	0.605	100KHz
SDS5210-220M-LF	22 $\pm$ 20%	0.8398	0.498	0.506	100KHz
SDS5210-330M-LF	33 $\pm$ 20%	1.2259	0.412	0.420	100KHz
SDS5210-470M-LF	47 $\pm$ 20%	1.8375	0.337	0.349	100KHz
SDS5210-680M-LF	68 $\pm$ 20%	2.300	0.301	0.285	100KHz
SDS5210-820M-LF	82 $\pm$ 20%	3.125	0.258	0.261	100KHz
SDS5210-101M-LF	100 $\pm$ 20%	4.112	0.225	0.236	100KHz
SDS5210-151M-LF	150 $\pm$ 20%	5.188	0.200	0.195	100KHz
SDS5210-221M-LF	220 $\pm$ 20%	8.013	0.160	0.160	100KHz
SDS5210-331M-LF	330 $\pm$ 20%	12.288	0.131	0.131	100KHz
SDS5210-471M-LF	470 $\pm$ 20%	15.125	0.117	0.110	100KHz

- I<sub>sat</sub> : DC current at which the inductance drops 30% (typ) from its value without current.
- I<sub>rms</sub> : Average current for 40°C temperature rise from 25°C ambient.
- Operating temperature range -40°C to +85°C ,
- Electrical specifications at 20°C .



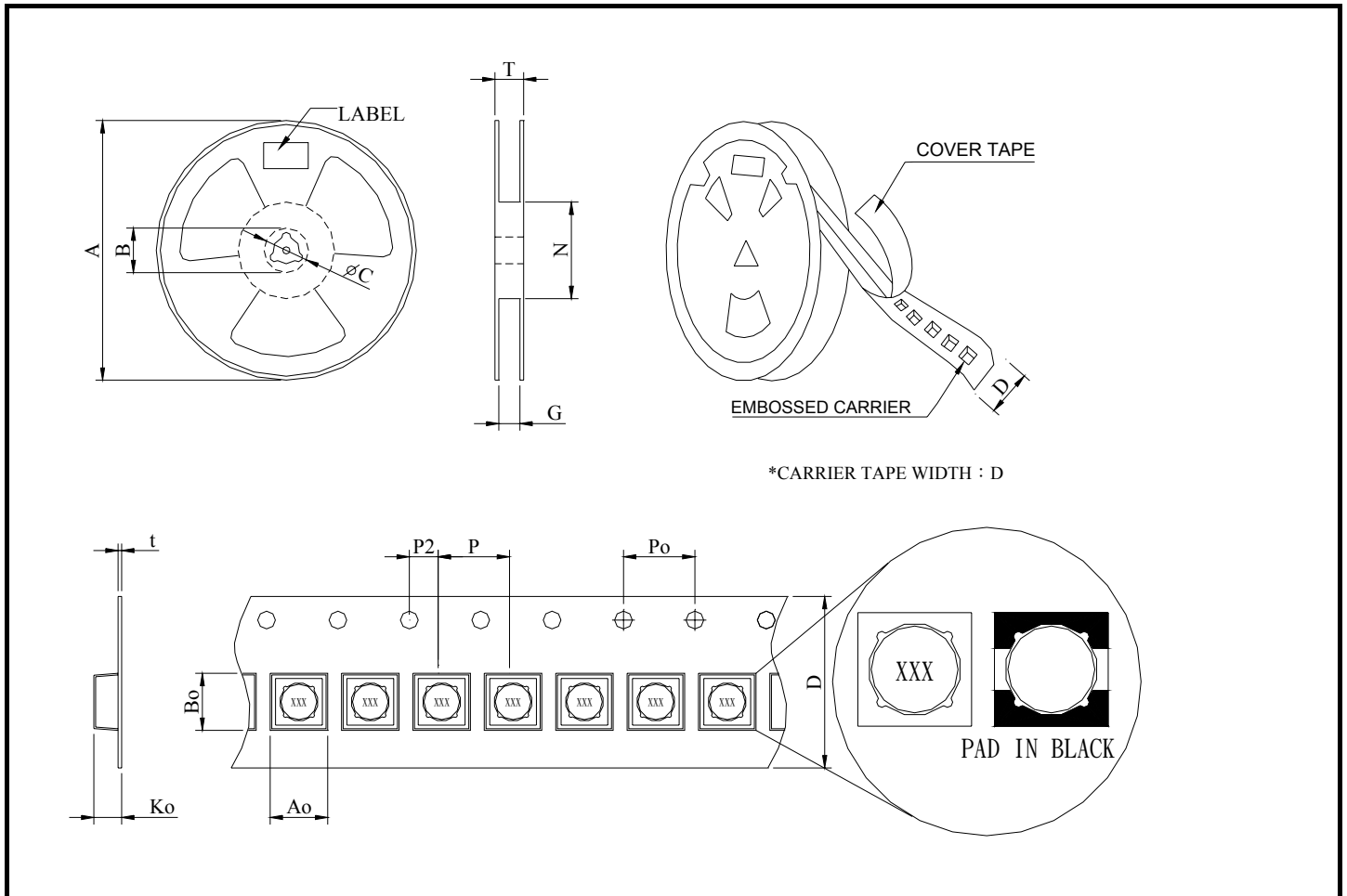
# SDS5210 SERIES ~

## Low Profile Shielded Power Inductors



RoHS Compliant

### PACKAGING SPECIFICATION



STAYLE	DIMENSIONS (m/m)														
	Q'TY (PCS)	A	B	C	D	G	N	T	Ao	Bo	Ko	t	P	Po	P2
13"	2,000	—	—	—	12 ±0.3	—	—	—	5.45	5.45	1.2	—	8	4	2 ±0.02