



# SDS5212 SERIES ~

## Low Profile Shielded Power Inductors



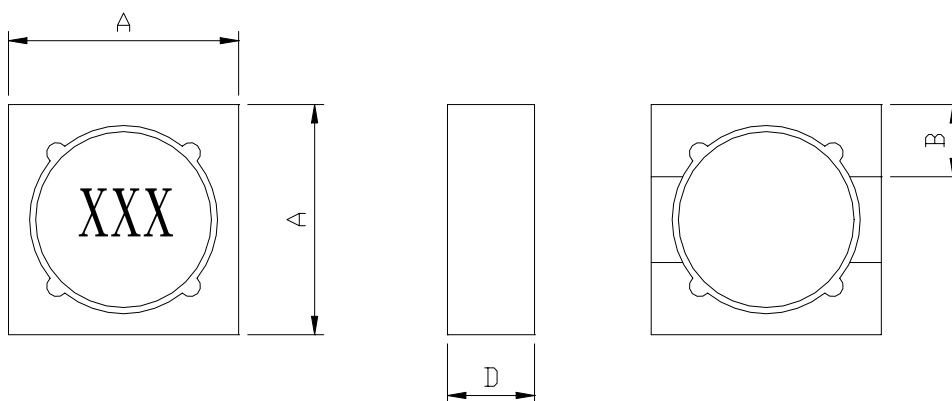
RoHS Compliant

### PART NUMBERING SYSTEM

<b>SDS</b>	<b>5 2 1 2</b>	—	<b>6 8 0 M</b>	—	<b>LF</b>
TYPE	DIMENSIONS		INDUCTANCE		LEAD FREE

### SHAPES AND DIMENSIONS

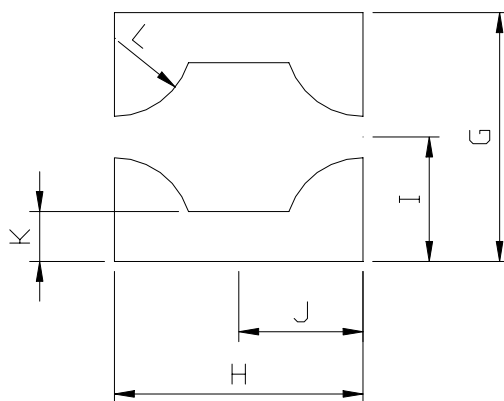
UNIT : mm



A=5.2 Max. B=5.2 Max. D=1.2 Max

### RECOMMENDED PATTERNS

UNIT : mm



G=5.95 H=5.15 I=2.975 J=2.575 K=1.0 L=2.25



## SDS5212 SERIES ~

### Low Profile Shielded Power Inductors



RoHS Compliant

SPECIFICATION TABLE

PART NUMBER	INDUCTANCE ( $\mu$ H)	DCR ( $\Omega$ ) (Max.)	I <sub>rms</sub> (A) (Max.)	I <sub>sat</sub> (A) (Max.)	TEST FREQ. ( f )
SDS5212-R47M-LF	0.47 $\pm$ 20%	0.0308	3.19	3.86	100KHz
SDS5212-1R2M-LF	1.0 $\pm$ 20%	0.0458	2.62	2.45	100KHz
SDS5212-1R5M-LF	1.5 $\pm$ 20%	0.0651	2.19	2.08	100KHz
SDS5212-2R2M-LF	2.2 $\pm$ 20%	0.0934	1.83	1.80	100KHz
SDS5212-3R3M-LF	3.3 $\pm$ 20%	0.1304	1.55	1.42	100KHz
SDS5212-4R7M-LF	4.7 $\pm$ 20%	0.1472	1.46	1.29	100KHz
SDS5212-6R2M-LF	6.2 $\pm$ 20%	0.2124	1.21	1.08	100KHz
SDS5212-8R2M-LF	8.2 $\pm$ 20%	0.2999	1.02	0.931	100KHz
SDS5212-100M-LF	10 $\pm$ 20%	0.3555	0.938	0.818	100KHz
SDS5212-150M-LF	15 $\pm$ 20%	0.5111	0.782	0.692	100KHz
SDS5212-220M-LF	22 $\pm$ 20%	0.7923	0.628	0.574	100KHz
SDS5212-330M-LF	33 $\pm$ 20%	1.161	0.519	0.474	100KHz
SDS5212-470M-LF	47 $\pm$ 20%	1.713	0.428	0.391	100KHz
SDS5212-680M-LF	68 $\pm$ 20%	2.700	0.341	0.325	100KHz
SDS5212-820M-LF	82 $\pm$ 20%	2.950	0.326	0.297	100KHz
SDS5212-101M-LF	100 $\pm$ 20%	3.300	0.308	0.273	100KHz
SDS5212-151M-LF	150 $\pm$ 20%	4.950	0.251	0.220	100KHz
SDS5212-221M-LF	220 $\pm$ 20%	5.950	0.229	0.181	100KHz
SDS5212-331M-LF	330 $\pm$ 20%	9.063	0.186	0.148	100KHz
SDS5212-471M-LF	470 $\pm$ 20%	11.19	0.167	0.126	100KHz
SDS5212-681M-LF	680 $\pm$ 20%	14.13	0.149	0.104	100KHz
SDS5212-821M-LF	820 $\pm$ 20%	18.67	0.129	0.095	100KHz
SDS5212-102M-LF	1000 $\pm$ 20%	21.50	0.121	0.086	100KHz

- I<sub>sat</sub> : DC current at which the inductance drops 30% (typ) from its value without current.
- I<sub>rms</sub> : Average current for 40°C temperature rise from 25°C ambient.
- Operating temperature range -40°C to +85°C .
- Electrical specifications at 20°C .



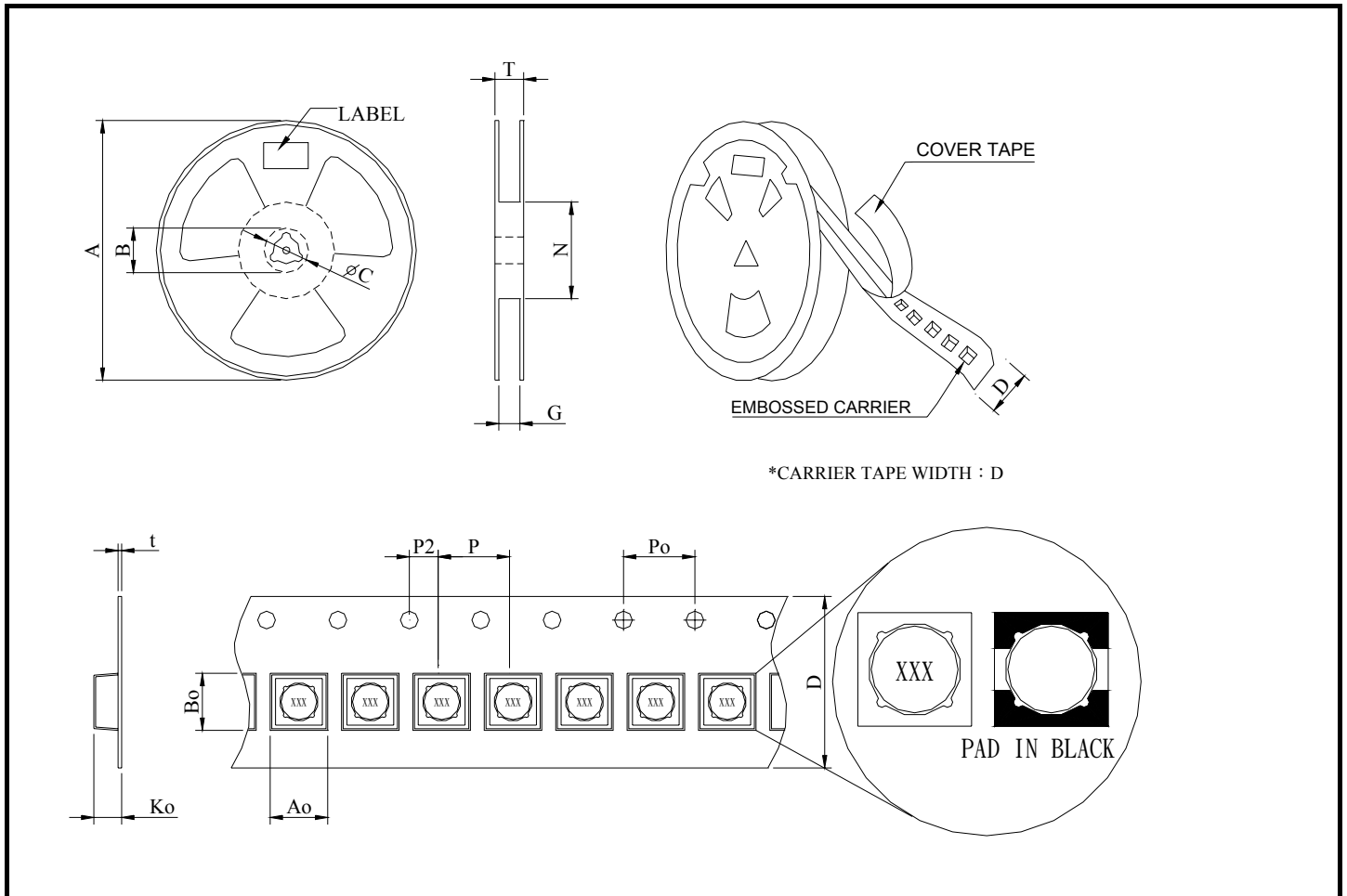
# SDS5212 SERIES ~

## Low Profile Shielded Power Inductors



RoHS Compliant

### PACKAGING SPECIFICATION



STAYLE	DIMENSIONS (m/m)														
	Q'TY (PCS)	A	B	C	D	G	N	T	Ao	Bo	Ko	t	P	Po	P2
13"	2,000	—	—	—	12 ±0.3	—	—	—	5.45	5.45	2.0	—	8	4	2 ±0.02