



SDS5212Q SERIES – SMD Power Inductors



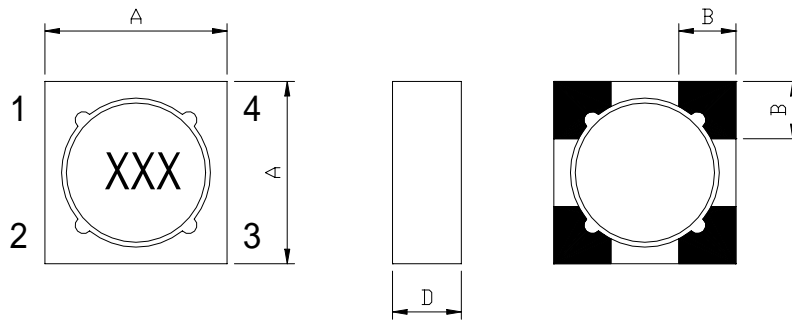
RoHS Compliant

PART NUMBERING SYSTEM

SDS	5 2 1 2 Q	-	6 8 0 M	-	LF
TYPE	DIMENSIONS		INDUCTANCE		LEAD FREE

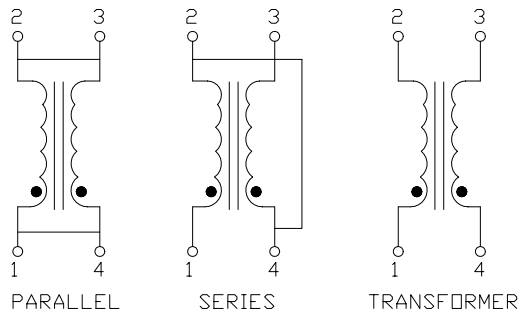
SHAPES AND DIMENSIONS

UNIT : mm



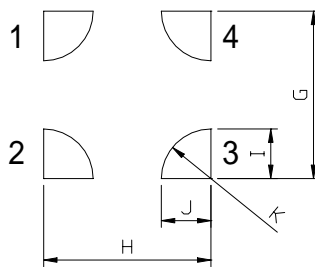
A=5.2 Max. B=1.5 Typ. D=1.2 Max.

SCHEMATIC DRAWING



RECOMMENDED PATTERNS

UNIT : mm



G=5.95 H=5.95 I=2.975 J=2.975 K=2.25



SDS5212Q SERIES – SMD Power Inductors



RoHS Compliant

SPECIFICATION TABLE

TYPE		Parallel Ratings				Series ratings			
PART NUMBER	INDUCTANCE (μ H)	OCL \pm 20% (μ H)	I rms (A)	I sat (A)	DCR (Ω) (Max.)	OCL \pm 25% (μ H)	I rms (A)	I sat (A)	DCR (Ω) (Max.)
SDS5212Q-R47M-LF	0.47	0.49	2.78	4.34	0.0406	1.96	1.39	2.17	0.1623
SDS5212Q-1R0M-LF	1.0	0.81	2.49	3.38	0.0504	3.24	1.25	1.69	0.2014
SDS5212Q-1R5M-LF	1.5	1.69	1.69	2.34	0.1088	6.76	0.847	1.17	0.4351
SDS5212Q-2R2M-LF	2.2	2.25	1.60	2.03	0.1221	9.00	0.800	1.01	0.4885
SDS5212Q-3R3M-LF	3.3	3.61	1.28	1.60	0.1909	14.44	0.640	0.800	0.7632
SDS5212Q-4R7M-LF	4.7	4.41	1.12	1.45	0.2488	17.64	0.560	0.724	0.9949
SDS5212Q-6R2M-LF	6.2	6.25	1.02	1.22	0.2984	25.00	0.512	0.608	1.1935
SDS5212Q-8R2M-LF	8.2	8.41	0.868	1.05	0.4146	33.64	0.434	0.524	1.663
SDS5212Q-100M-LF	10	9.61	0.831	0.981	0.4525	38.44	0.416	0.490	1.813
SDS5212Q-150M-LF	15	15.21	0.658	0.779	0.7208	60.84	0.329	0.390	2.888
SDS5212Q-220M-LF	22	22.09	0.548	0.647	1.0415	88.36	0.274	0.323	4.163
SDS5212Q-330M-LF	33	32.49	0.439	0.533	1.61	130.0	0.220	0.267	6.475
SDS5212Q-470M-LF	47	47.61	0.401	0.441	1.94	190.4	0.201	0.220	7.763
SDS5212Q-680M-LF	68	68.89	0.326	0.366	2.95	275.6	0.163	0.183	11.788
SDS5212Q-820M-LF	82	82.81	0.309	0.334	3.28	331.2	0.154	0.167	13.113

Inductors tolerance M \pm 20%.

I sat : DC current at which the inductance drops 30% (typ) from its value without current.

Operating temperature range -40°C to +85°C.

Electrical specifications at 20°C .

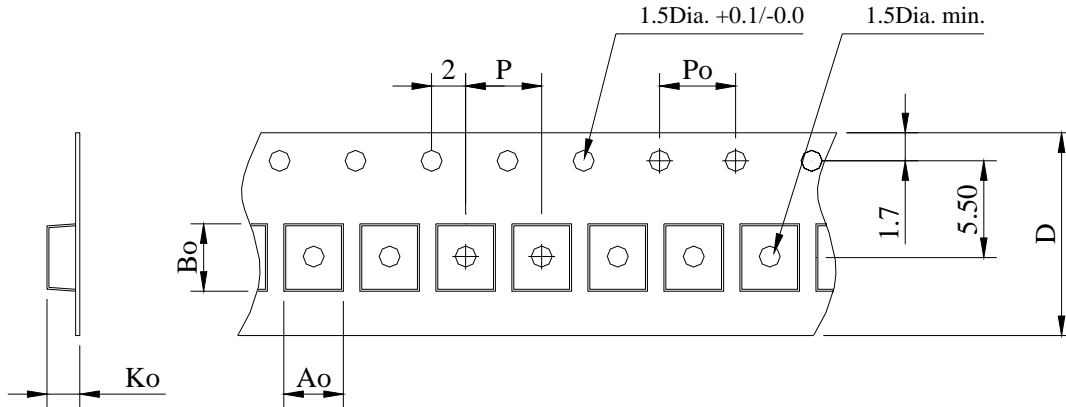


SDS5212Q SERIES – SMD Power Inductors



RoHS Compliant

PACKAGING SPECIFICATION



STAYLE	Q ' TY (PCS)	DIMENSIONS (m/m)					
		A_o	B_o	K_o	P	P_o	$D\pm 0.3$
13"	2,000	5.45	5.45	2.00	8.00	4.00	12.0