



# SDS5214 SERIES ~

## Low Profile Shielded Power Inductors



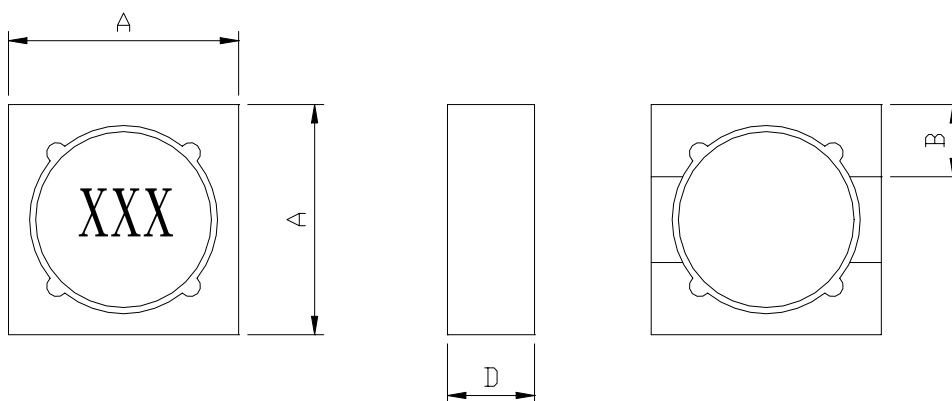
RoHS Compliant

### PART NUMBERING SYSTEM

<b>SDS</b>	<b>5 2 1 4</b>	—	<b>6 8 0 M</b>	—	<b>LF</b>
TYPE	DIMENSIONS		INDUCTANCE		LEAD FREE

### SHAPES AND DIMENSIONS

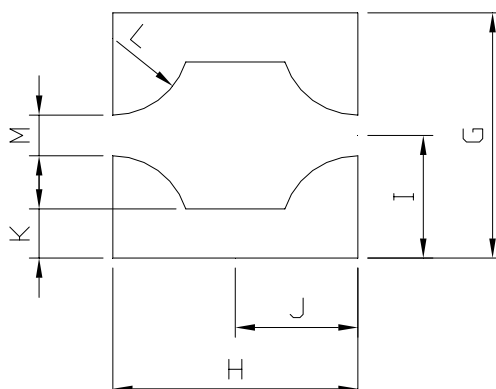
UNIT : mm



A=5.2 Max. B=1.5 Typ. D=1.45 Max

### RECOMMENDED PATTERNS

UNIT : mm



G=5.95 H=5.15 I=2.975 J=2.575 K=1.0 L=2.25 M=1.45



## SDS5214 SERIES ~

### Low Profile Shielded Power Inductors



RoHS Compliant

SPECIFICATION TABLE

PART NUMBER	INDUCTANCE ( $\mu$ H)	DCR ( $\Omega$ ) (Max.)	I <sub>rms</sub> (A) (Max.)	I <sub>sat</sub> (A) (Max.)	TEST FREQ. ( f )
SDS5214-R58M-LF	0.58 $\pm$ 20%	0.0275	3.52	4.84	100KHz
SDS5214-R87M-LF	0.87 $\pm$ 20%	0.0304	3.20	3.96	100KHz
SDS5214-1R2M-LF	1.20 $\pm$ 20%	0.0430	2.70	3.35	100KHz
SDS5214-1R5M-LF	1.5 $\pm$ 20%	0.0488	2.53	2.91	100KHz
SDS5214-2R0M-LF	2.0 $\pm$ 20%	0.0556	2.37	2.56	100KHz
SDS5214-2R5M-LF	2.5 $\pm$ 20%	0.0744	2.05	2.29	100KHz
SDS5214-3R2M-LF	3.2 $\pm$ 20%	0.0829	1.94	2.08	100KHz
SDS5214-4R5M-LF	4.5 $\pm$ 20%	0.1169	1.64	1.74	100KHz
SDS5214-6R9M-LF	6.9 $\pm$ 20%	0.1704	1.35	1.41	100KHz
SDS5214-8R8M-LF	8.8 $\pm$ 20%	0.2391	1.14	1.25	100KHz
SDS5214-100M-LF	10 $\pm$ 20%	0.2573	1.10	1.18	100KHz
SDS5214-150M-LF	15 $\pm$ 20%	0.3261	0.980	0.969	100KHz
SDS5214-220M-LF	22 $\pm$ 20%	0.4816	0.806	0.793	100KHz
SDS5214-330M-LF	33 $\pm$ 20%	0.7315	0.654	0.651	100KHz
SDS5214-470M-LF	47 $\pm$ 20%	1.1319	0.525	0.538	100KHz
SDS5214-680M-LF	68 $\pm$ 20%	1.3875	0.474	0.449	100KHz
SDS5214-820M-LF	82 $\pm$ 20%	1.8750	0.408	0.407	100KHz
SDS5214-101M-LF	100 $\pm$ 20%	2.100	0.386	0.373	100KHz
SDS5214-151M-LF	150 $\pm$ 20%	3.150	0.315	0.301	100KHz
SDS5214-221M-LF	220 $\pm$ 20%	4.713	0.258	0.249	100KHz
SDS5214-331M-LF	330 $\pm$ 20%	7.400	0.206	0.203	100KHz
SDS5214-471M-LF	470 $\pm$ 20%	10.425	0.173	0.171	100KHz
SDS5214-681M-LF	680 $\pm$ 20%	12.875	0.156	0.142	100KHz
SDS5214-821M-LF	820 $\pm$ 20%	17.375	0.134	0.129	100KHz
SDS5214-102M-LF	1000 $\pm$ 20%	19.750	0.126	0.117	100KHz

- I<sub>sat</sub> : DC current at which the inductance drops 20% (typ) from its value without current.
- I<sub>rms</sub> : Average current for 40°C temperature rise from 25°C ambient.
- Operating temperature range -40°C to +85°C ,
- Electrical specifications at 20°C .



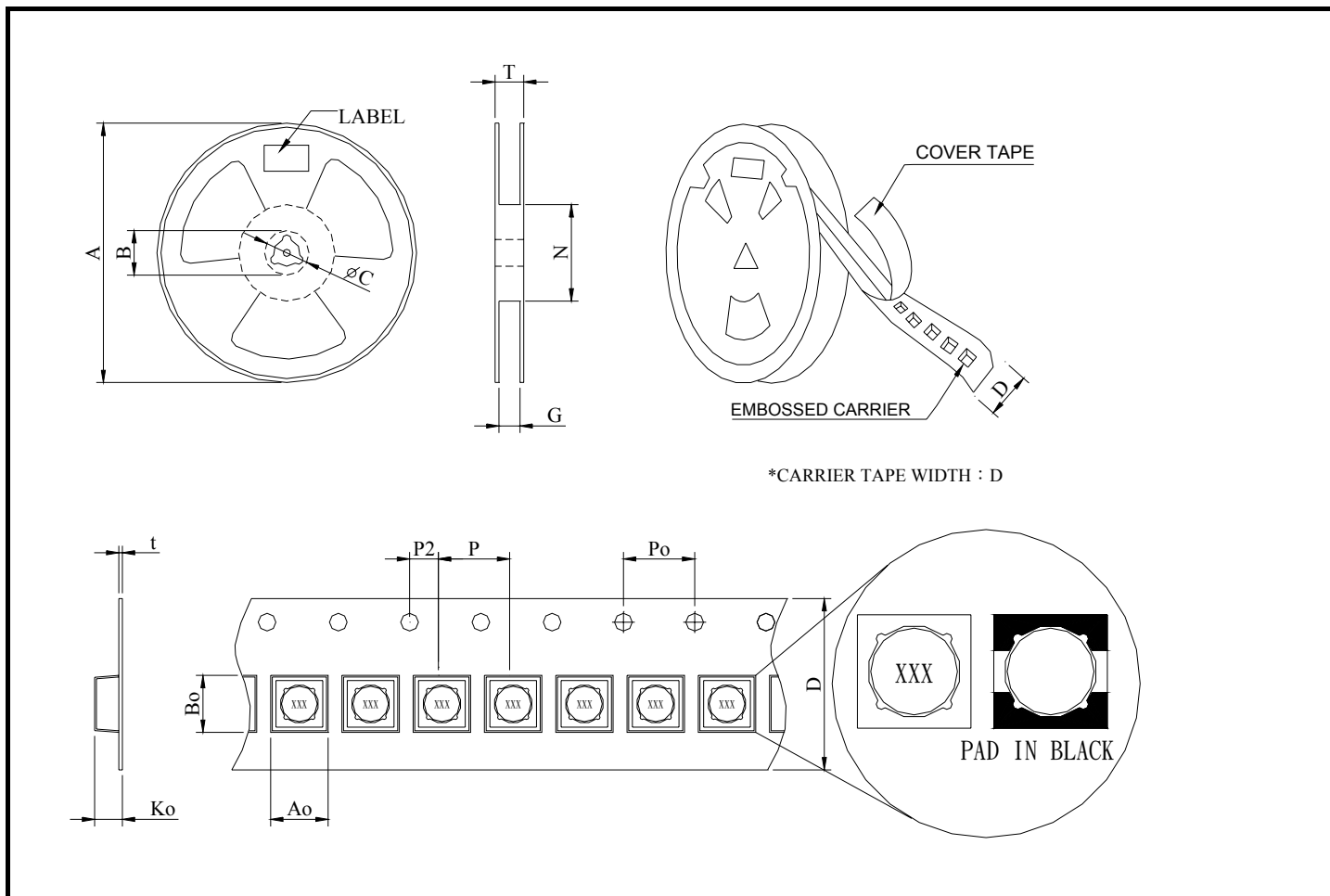
# SDS5214 SERIES ~

## Low Profile Shielded Power Inductors



RoHS Compliant

### PACKAGING SPECIFICATION



\*CARRIER TAPE WIDTH : D

STAYLE	DIMENSIONS (m/m)														
	Q'TY (PCS)	A	B	C	D	G	N	T	Ao	Bo	Ko	t	P	Po	P2
13"	2,000	—	—	—	12 ±0.3	—	—	—	5.45	5.45	2.0	—	8	4	2 ±0.02



## SDS5214 SERIES ~

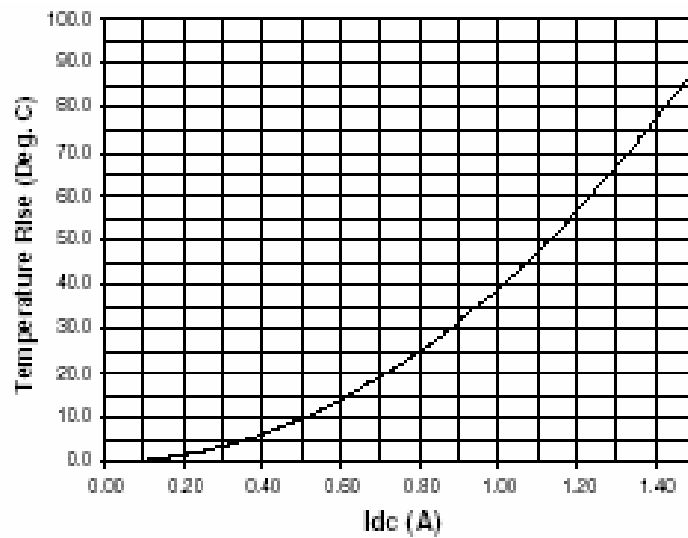
### Low Profile Shielded Power Inductors

#### TYPICAL INDUCTANCE VS. CURRENT



RoHS Compliant

**SDS5214-150M-LF**



**SDS5214-102M-LF**

