



SDS5220 SERIES ~

SMD Shielded Power Inductors



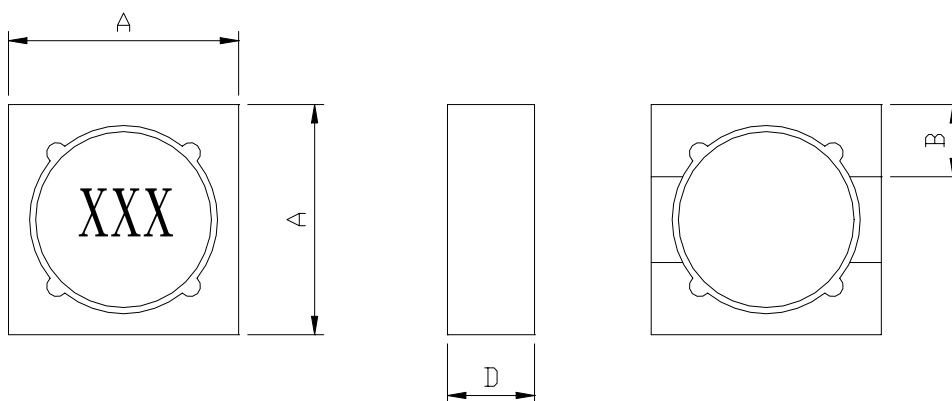
RoHS Compliant

PART NUMBERING SYSTEM

SDS	5 2 2 0	—	6 8 0 M	—	LF
TYPE	DIMENSIONS		INDUCTANCE		LEAD FREE

SHAPES AND DIMENSIONS

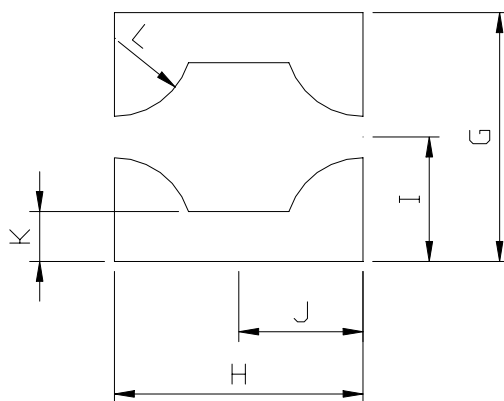
UNIT : mm



A=5.2 Max. B=5.2 Max. D=2.0 Max

RECOMMENDED PATTERNS

UNIT : mm



G=5.95 H=5.15 I=2.975 J=2.575 K=1.0 L=2.25



SDS5220 SERIES ~

SMD Shielded Power Inductors



RoHS Compliant

SPECIFICATION TABLE

PART NUMBER	INDUCTANCE (μ H)	DCR (Ω) (Max.)	I _{rms} (A) (Max.)	I _{sat} (A) (Max.)	TEST FREQ. (f)
SDS5220-R47M-LF	0.47 \pm 20%	0.0250	3.59	4.00	100KHz
SDS5220-1R2M-LF	1.2 \pm 20%	0.0344	3.07	2.55	100KHz
SDS5220-1R5M-LF	1.5 \pm 20%	0.0390	2.88	2.15	100KHz
SDS5220-2R2M-LF	2.2 \pm 20%	0.0536	2.45	1.87	100KHz
SDS5220-3R3M-LF	3.3 \pm 20%	0.0684	2.17	1.47	100KHz
SDS5220-4R7M-LF	4.7 \pm 20%	0.0765	2.05	1.33	100KHz
SDS5220-6R2M-LF	6.2 \pm 20%	0.0900	1.89	1.12	100KHz
SDS5220-8R2M-LF	8.2 \pm 20%	0.1250	1.61	0.966	100KHz
SDS5220-100M-LF	10 \pm 20%	0.1375	1.53	0.903	100KHz
SDS5220-150M-LF	15 \pm 20%	0.2069	1.25	0.718	100KHz
SDS5220-220M-LF	22 \pm 20%	0.2566	1.12	0.596	100KHz
SDS5220-330M-LF	33 \pm 20%	0.3875	0.913	0.491	100KHz
SDS5220-470M-LF	47 \pm 20%	0.5814	0.745	0.406	100KHz
SDS5220-680M-LF	68 \pm 20%	0.8685	0.610	0.337	100KHz
SDS5220-820M-LF	82 \pm 20%	0.9731	0.576	0.308	100KHz
SDS5220-101M-LF	100 \pm 20%	1.3250	0.495	0.283	100KHz
SDS5220-151M-LF	150 \pm 20%	1.7125	0.435	0.228	100KHz
SDS5220-221M-LF	220 \pm 20%	2.5500	0.356	0.188	100KHz
SDS5220-331M-LF	330 \pm 20%	3.7375	0.294	0.155	100KHz
SDS5220-471M-LF	470 \pm 20%	4.6750	0.263	0.129	100KHz
SDS5220-681M-LF	680 \pm 20%	6.950	0.216	0.107	100KHz
SDS5220-821M-LF	820 \pm 20%	7.775	0.204	0.098	100KHz
SDS5220-102M-LF	1000 \pm 20%	10.913	0.172	0.088	100KHz

- I_{sat} : DC current at which the inductance drops 30% (typ) from its value without current.
- I_{rms} : Average current for 40°C temperature rise from 25°C ambient.
- Operating temperature range -40°C to +85°C ,
- Electrical specifications at 20°C .



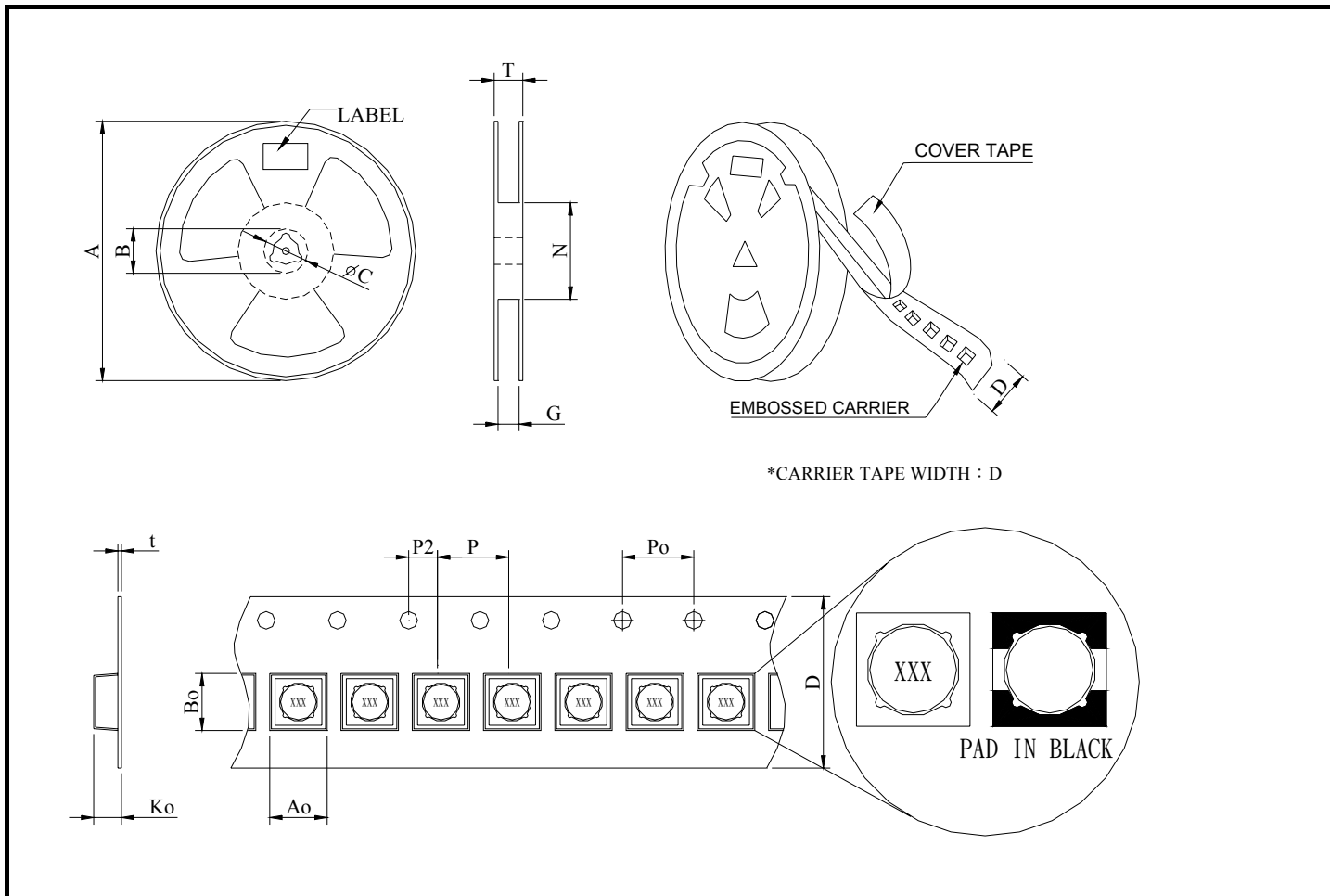
SDS5220 SERIES ~

SMD Shielded Power Inductors



RoHS Compliant

PACKAGING SPECIFICATION



*CARRIER TAPE WIDTH : D

STAYLE	DIMENSIONS (m/m)														
	Q'TY (PCS)	A	B	C	D	G	N	T	Ao	Bo	Ko	t	P	Po	P2
13"	2,000	—	—	—	12 ±0.3	—	—	—	5.45	5.45	2.7	—	8	4	2 ±0.02