



## SRS63B SERIES – Shielded SMD Power Inductors



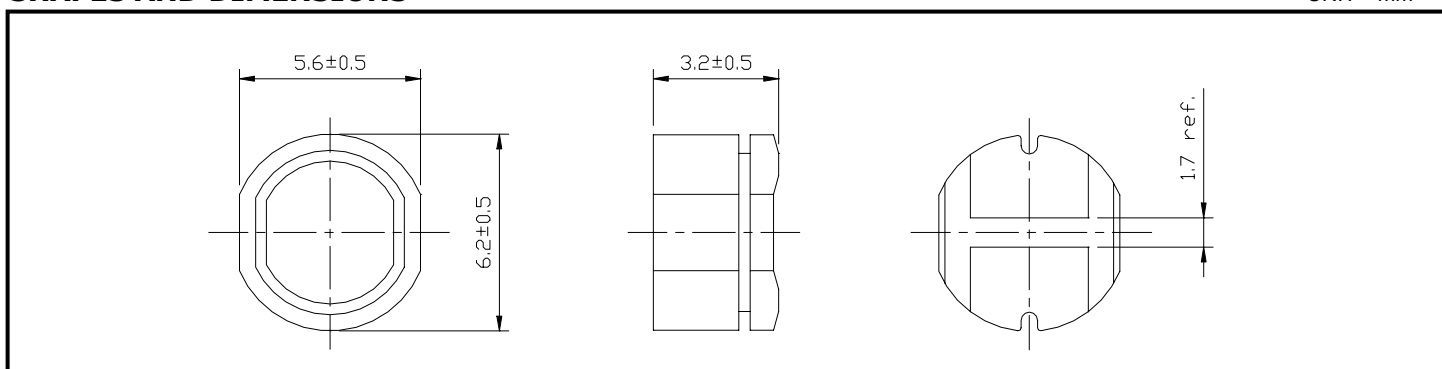
RoHS Compliant

### PART NUMBERING SYSTEM

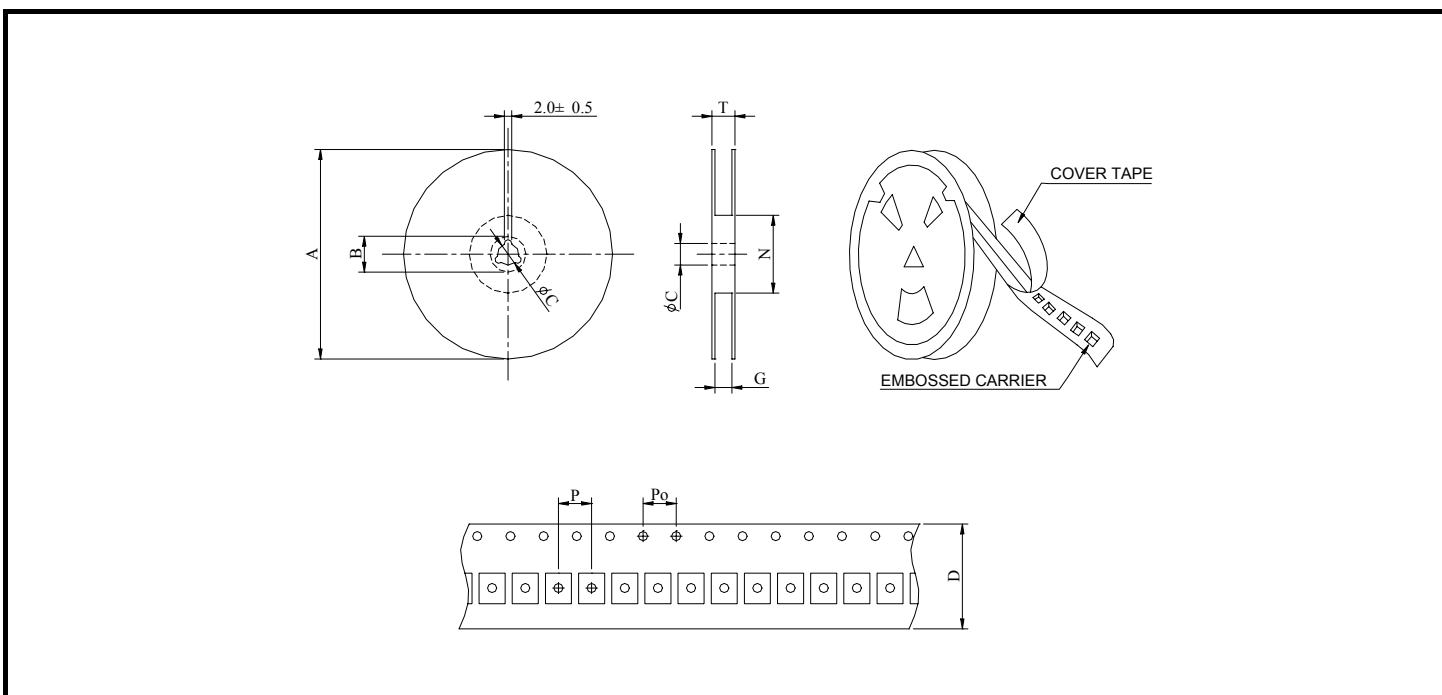
<b>SRS</b>	<b>63B</b>	—	<b>100M</b>	—	<b>LF</b>
TYPE	DIMENSIONS		INDUCTANCE		LEAD FREE

### SHAPES AND DIMENSIONS

UNIT : mm



### PACKAGING SPECIFICATION



SERIES	STAYLE	Q' TY (PCS)	DIMENSIONS (m/m)								
			A	B±0.8	C±0.5	D	G <sup>+0</sup>	N <sup>0</sup>	P	Po	T
SRS63B	13-32	1500	330	21	13	12	14	50	8	4	18.4



## SRS63B SERIES – Shielded SMD Power Inductors



RoHS Compliant

### SPECIFICATION TABLE

PART NUMBER	INDUCTANCE ( $\mu$ H)	DCR ( $\Omega$ ) (Max.)	IDC ( A ) (Max.)	TEST FREQ. ( f )
SRS63B-100M-LF	10 $\pm$ 20%	0.14	1.00	2.52MHz
SRS63B-120M-LF	12 $\pm$ 20%	0.16	0.94	2.52MHz
SRS63B-150M-LF	15 $\pm$ 20%	0.18	0.86	2.52MHz
SRS63B-180M-LF	18 $\pm$ 20%	0.25	0.78	2.52MHz
SRS63B-220M-LF	22 $\pm$ 20%	0.32	0.76	2.52MHz
SRS63B-270M-LF	27 $\pm$ 20%	0.36	0.64	2.52MHz
SRS63B-330M-LF	33 $\pm$ 20%	0.41	0.61	2.52MHz
SRS63B-390M-LF	39 $\pm$ 20%	0.47	0.53	2.52MHz
SRS63B-470M-LF	47 $\pm$ 20%	0.51	0.50	2.52MHz
SRS63B-560M-LF	56 $\pm$ 20%	0.72	0.46	2.52MHz
SRS63B-680M-LF	68 $\pm$ 20%	0.82	0.42	2.52MHz

- DC current at which the inductance drops 25% (typ) from its value without current.
- Operating temperature range -20°C to +85°C .
- Electrical specifications at 20°C .