



## SRS74R SERIES – Shielded SMD Power Inductors



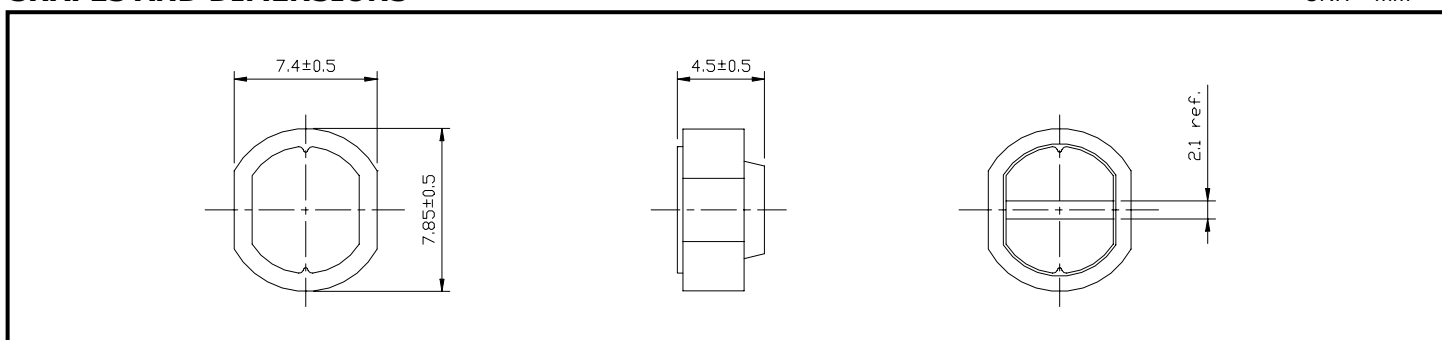
RoHS Compliant

### PART NUMBERING SYSTEM

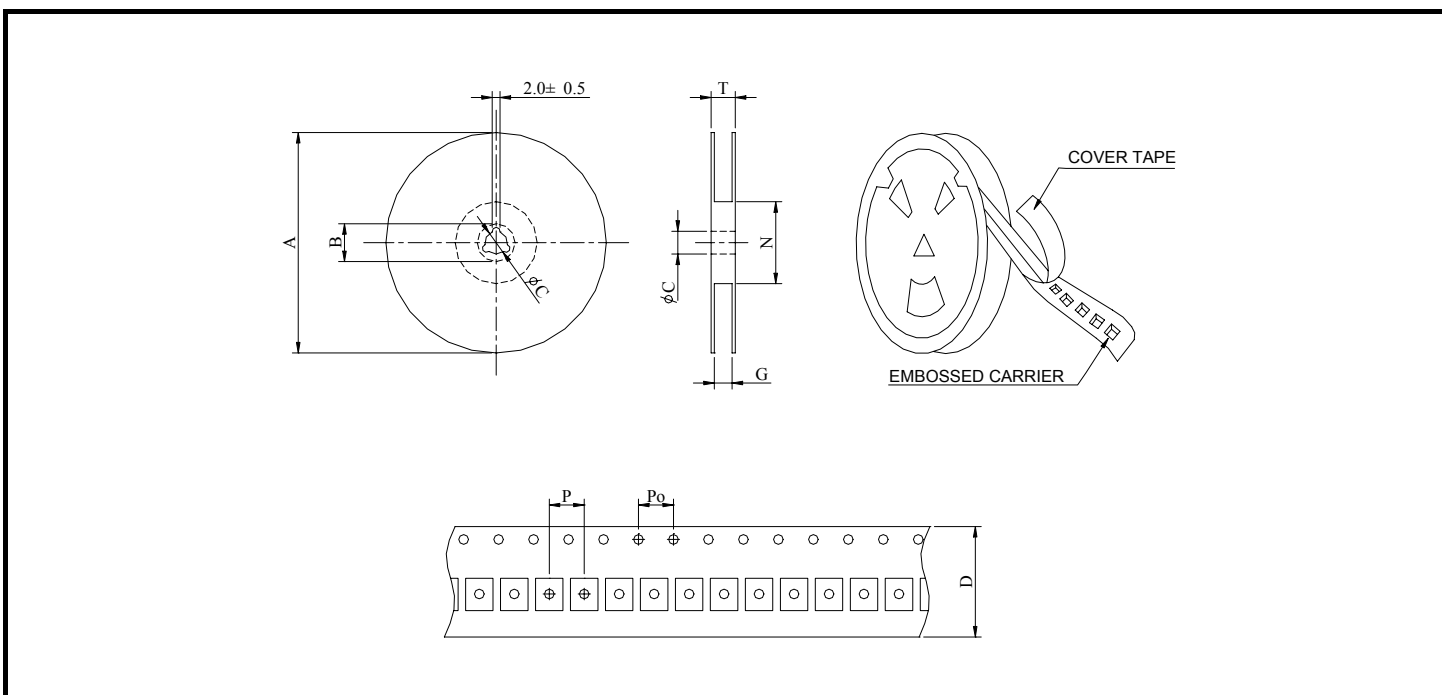
<b>SRS</b>	<b>74R</b>	—	<b>100M</b>	—	<b>LF</b>
TYPE	DIMENSIONS		INDUCTANCE		LEAD FREE

### SHAPES AND DIMENSIONS

UNIT : mm



### PACKAGING SPECIFICATION



SERIES	STAYLE	Q' TY (PCS)	DIMENSIONS (m/m)								
			A	B±0.8	C±0.5	D	G <sup>+0</sup>	N <sup>0</sup>	P	Po	T
SRS74R	13-16	1000	330	21	13	16	18	50	12	4	22.4



## SRS74R SERIES – Shielded SMD Power Inductors



RoHS Compliant

### SPECIFICATION TABLE

PART NUMBER	INDUCTANCE ( $\mu$ H)	DCR ( $\Omega$ ) (Max.)	IDC ( A ) (Max.)	TEST FREQ. ( f )
SRS74R-100M-LF	10 $\pm$ 20%	0.07	1.65	2.52MHz
SRS74R-120M-LF	12 $\pm$ 20%	0.07	1.57	2.52MHz
SRS74R-150M-LF	15 $\pm$ 20%	0.08	1.39	2.52MHz
SRS74R-180M-LF	18 $\pm$ 20%	0.10	1.29	2.52MHz
SRS74R-220M-LF	22 $\pm$ 20%	0.13	1.12	2.52MHz
SRS74R-270M-LF	27 $\pm$ 20%	0.16	1.06	2.52MHz
SRS74R-330M-LF	33 $\pm$ 20%	0.18	0.97	2.52MHz
SRS74R-390M-LF	39 $\pm$ 20%	0.18	0.91	2.52MHz
SRS74R-470M-LF	47 $\pm$ 20%	0.27	0.80	2.52MHz
SRS74R-560M-LF	56 $\pm$ 20%	0.29	0.76	2.52MHz
SRS74R-680M-LF	68 $\pm$ 20%	0.33	0.68	2.52MHz
SRS74R-820M-LF	82 $\pm$ 20%	0.42	0.62	2.52MHz
SRS74R-101M-LF	100 $\pm$ 20%	0.49	0.55	1KHz
SRS74R-121M-LF	120 $\pm$ 20%	0.68	0.49	1KHz
SRS74R-151M-LF	150 $\pm$ 20%	0.94	0.44	1KHz
SRS74R-181M-LF	180 $\pm$ 20%	1.00	0.40	1KHz
SRS74R-221M-LF	220 $\pm$ 20%	1.18	0.36	1KHz
SRS74R-271M-LF	270 $\pm$ 20%	1.30	0.33	1KHz

- DC current at which the inductance drops 25% (typ) from its value without current.
- Operating temperature range -20 $^{\circ}$ C to +85 $^{\circ}$ C ,
- Electrical specifications at 20 $^{\circ}$ C.