



SBS1003 SERIES ~ Shielded SMD Power Inductors



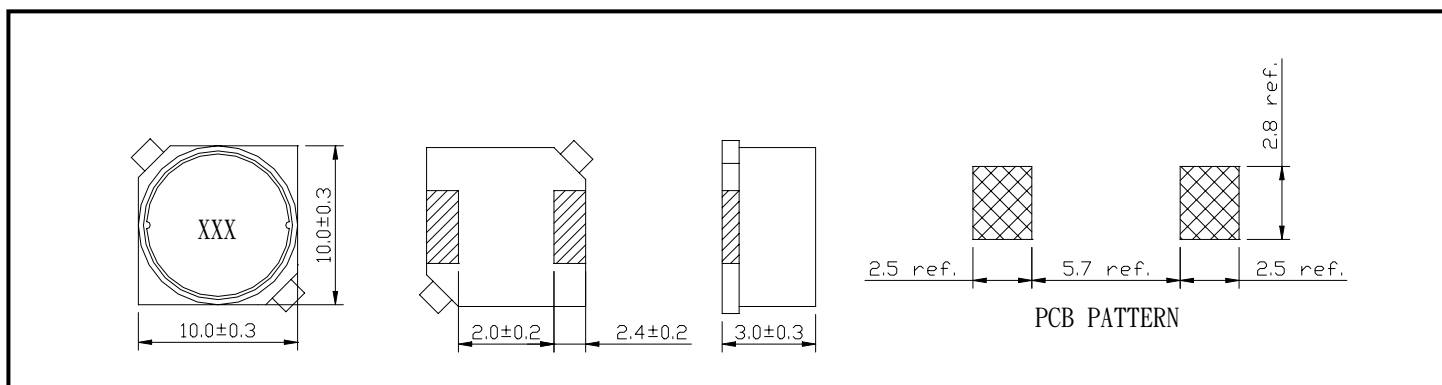
RoHS Compliant

PART NUMBERING SYSTEM

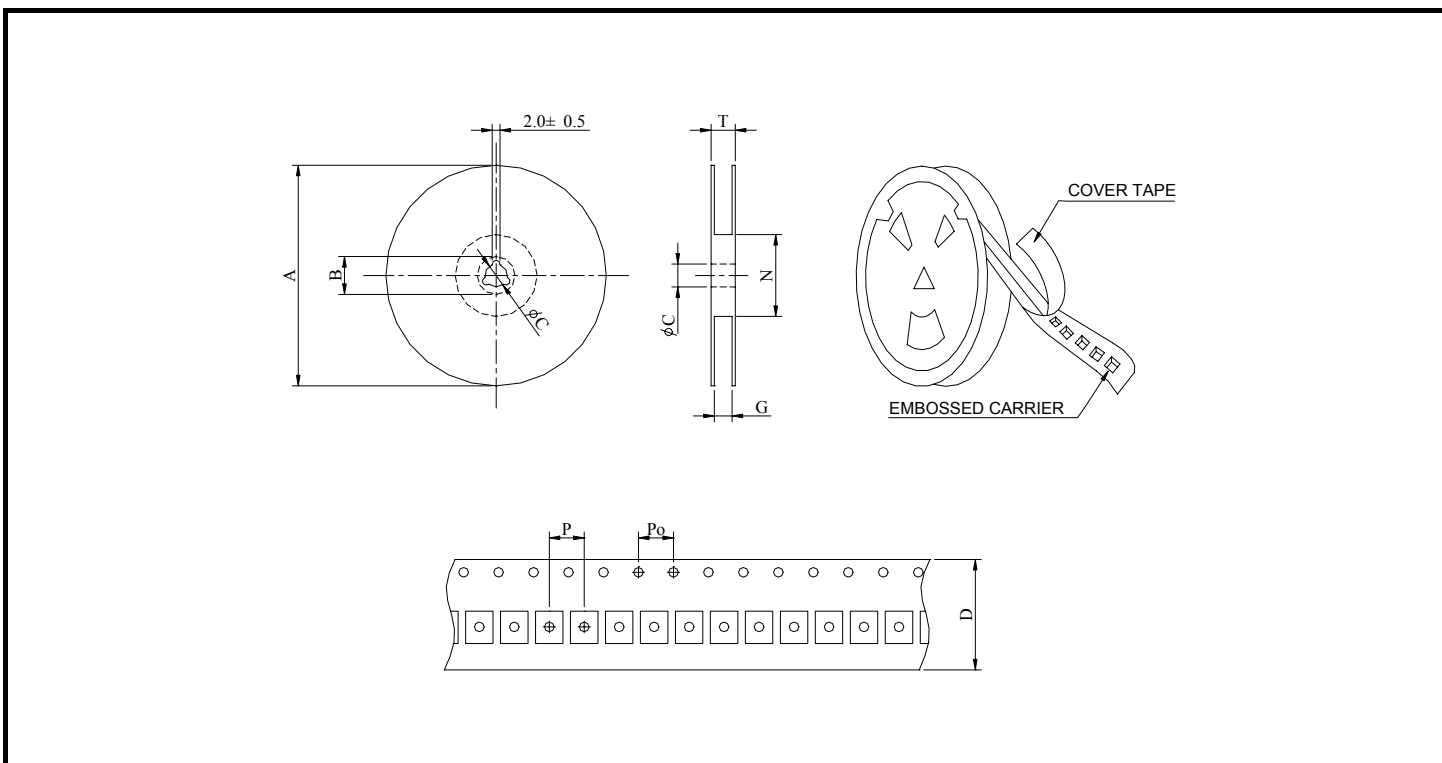
SBS	1003	—	100M	LF
TYPE	DIMENSIONS		INDUCTANCE	LEAD FREE

SHAPES AND DIMENSIONS

UNIT : mm



PACKAGING SPECIFICATION



SERIES	STAYLE	Q' TY (PCS)	DIMENSIONS (m/m)								
			A	B ± 0.8	C ± 0.5	D	G ⁺⁰	N ⁰	P	Po	T
SBS1003	13-24	1000	330	21	13	24	26	50	16	4	30.4



SBS1003 SERIES ~ Shielded SMD Power Inductors



RoHS Compliant

SPECIFICATION TABLE

PART NUMBER	INDUCTANCE (μ H)	DCR (Ω) (Max.)	IDC (A) (Max.)	TEST FREQ. (f)
SBS1003-1R5M-LF	1.5 \pm 20%	0.022	4.00	100KHz
SBS1003-2R2M-LF	2.2 \pm 20%	0.025	3.50	100KHz
SBS1003-3R3M-LF	3.3 \pm 20%	0.040	3.00	100KHz
SBS1003-4R7M-LF	4.7 \pm 20%	0.045	2.50	100KHz
SBS1003-6R8M-LF	6.8 \pm 20%	0.060	2.20	100KHz
SBS1003-100M-LF	10 \pm 20%	0.070	2.00	100KHz
SBS1003-120M-LF	12 \pm 20%	0.095	1.90	100KHz
SBS1003-150M-LF	15 \pm 20%	0.120	1.70	100KHz
SBS1003-180M-LF	18 \pm 20%	0.130	1.55	100KHz
SBS1003-220M-LF	22 \pm 20%	0.180	1.45	100KHz
SBS1003-270M-LF	27 \pm 20%	0.200	1.30	100KHz
SBS1003-330M-LF	33 \pm 20%	0.210	1.10	100KHz
SBS1003-390M-LF	39 \pm 20%	0.270	1.00	100KHz
SBS1003-470M-LF	47 \pm 20%	0.300	0.85	100KHz
SBS1003-560M-LF	56 \pm 20%	0.400	0.80	100KHz
SBS1003-680M-LF	68 \pm 20%	0.440	0.75	100KHz
SBS1003-820M-LF	82 \pm 20%	0.490	0.65	100KHz
SBS1003-101M-LF	100 \pm 20%	0.670	0.60	100KHz
SBS1003-121M-LF	120 \pm 20%	0.740	0.55	100KHz
SBS1003-151M-LF	150 \pm 20%	0.790	0.50	100KHz
SBS1003-181M-LF	180 \pm 20%	1.200	0.45	100KHz
SBS1003-221M-LF	220 \pm 20%	1.350	0.40	100KHz
SBS1003-271M-LF	270 \pm 20%	1.800	0.38	100KHz
SBS1003-331M-LF	330 \pm 20%	2.000	0.32	100KHz
SBS1003-391M-LF	390 \pm 20%	2.100	0.30	100KHz
SBS1003-471M-LF	470 \pm 20%	3.500	0.28	100KHz
SBS1003-561M-LF	560 \pm 20%	3.900	0.25	100KHz
SBS1003-681M-LF	680 \pm 20%	4.100	0.22	100KHz
SBS1003-821M-LF	820 \pm 20%	4.550	0.20	100KHz
SBS1003-102M-LF	1000 \pm 20%	5.100	0.18	100KHz

- DC current at which the inductance drops 10% (typ) from its value without current.
- Operating temperature range -20 $^{\circ}$ C to +85 $^{\circ}$ C .
- Electrical specifications at 25 $^{\circ}$ C.