



# SBS1004 SERIES ~ Shielded SMD Power Inductors



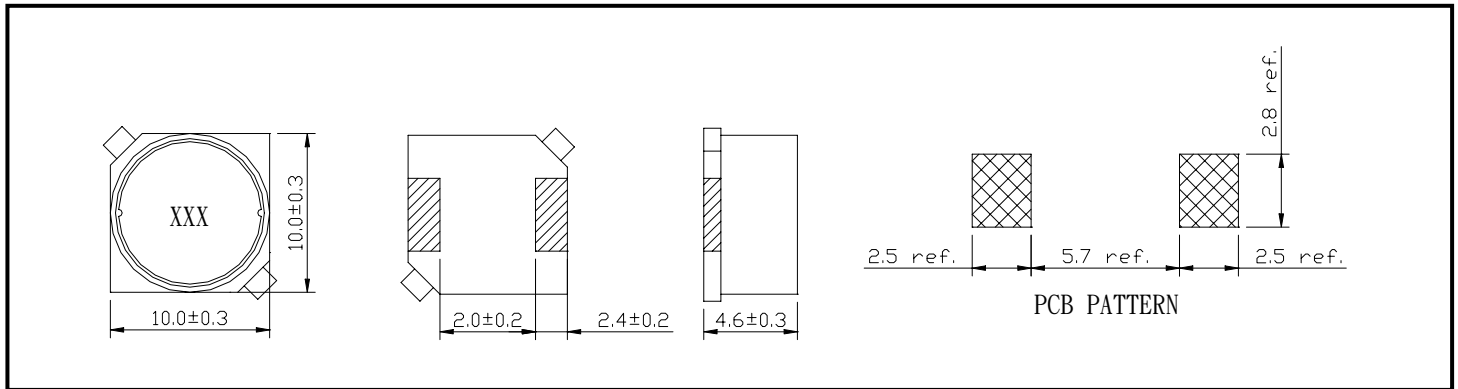
RoHS Compliant

## PART NUMBERING SYSTEM

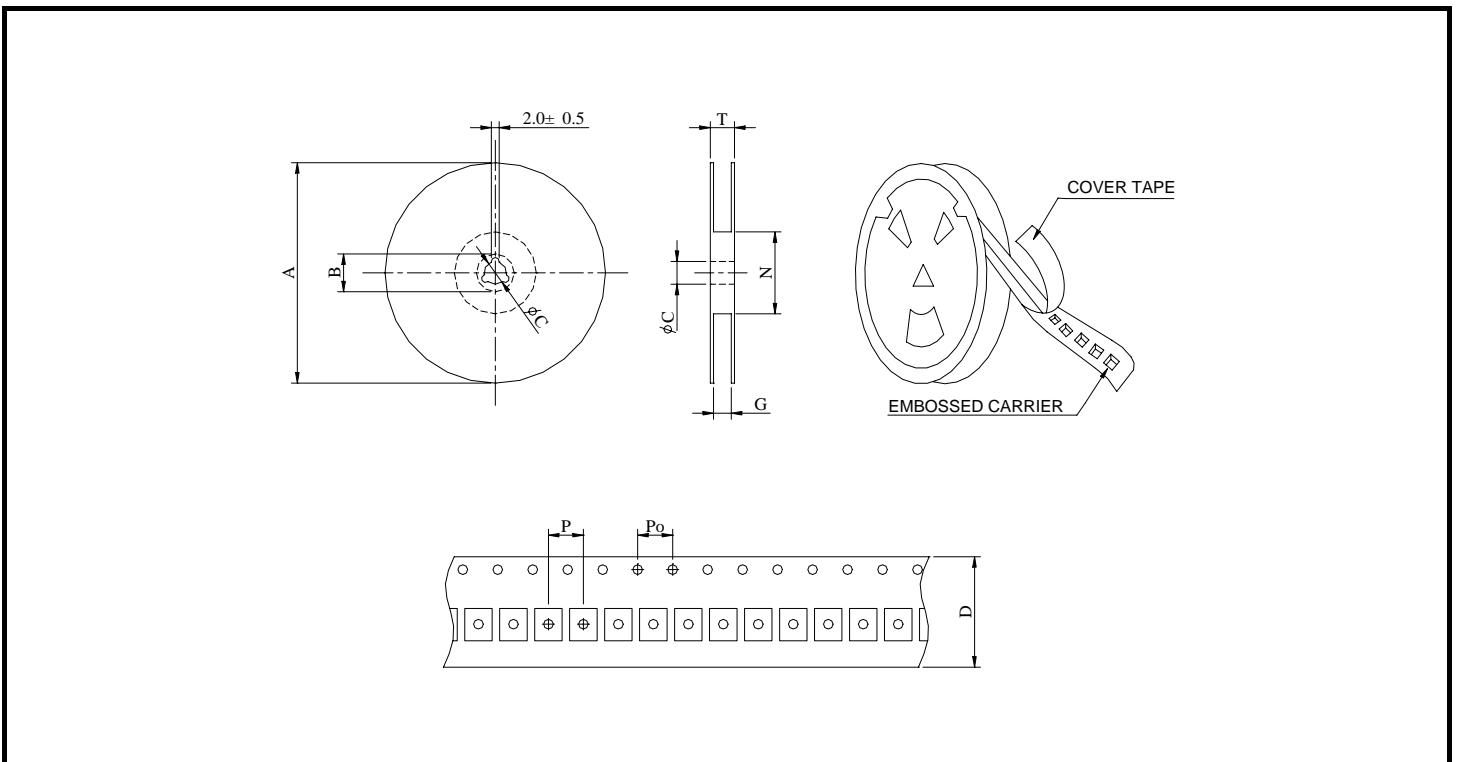
<b>SBS</b>	<b>1 0 0 4</b>	—	<b>1 0 0 M</b>	—	<b>LF</b>
TYPE	DIMENSIONS		INDUCTANCE		LEAD FREE

## SHAPES AND DIMENSIONS

UNIT : mm



## PACKAGING SPECIFICATION



SERIES	STAYLE	Q' TY (PCS)	DIMENSIONS (m/m)								
			A	B $\pm 0.8$	C $\pm 0.5$	D	G <sup>+0</sup>	N <sup>0</sup>	P	P <sub>0</sub>	T
SBS1004	13-24	600	330	21	13	24	26	50	16	4	30.4



**Coilmaster Electronics Co., Ltd.**

9F-3 No.398, Huan Bei Rd. Chung Li City, Taoyuan 320, Taiwan  
Tel : +886-3-422-8279 Fax : +886-3-422-8734

E-mail : [info@coilmaster.com.tw](mailto:info@coilmaster.com.tw)

Web Site : [www.coilmaster.com.tw](http://www.coilmaster.com.tw)

## SBS1004 SERIES ~ Shielded SMD Power Inductors



RoHS Compliant

### SPECIFICATION TABLE

PART NUMBER	INDUCTANCE ( $\mu$ H)	DCR ( $\Omega$ ) (Max.)	IDC (A) (Max.)	TEST FREQ. ( f )
SBS1004-1R5M-LF	1.5 $\pm$ 20%	0.021	5.00	100KHz
SBS1004-2R2M-LF	2.2 $\pm$ 20%	0.024	4.50	100KHz
SBS1004-3R3M-LF	3.3 $\pm$ 20%	0.026	4.00	100KHz
SBS1004-4R7M-LF	4.7 $\pm$ 20%	0.030	3.00	100KHz
SBS1004-6R8M-LF	6.8 $\pm$ 20%	0.035	2.50	100KHz
SBS1004-100M-LF	10 $\pm$ 20%	0.042	2.20	100KHz
SBS1004-120M-LF	12 $\pm$ 20%	0.050	2.00	100KHz
SBS1004-150M-LF	15 $\pm$ 20%	0.055	1.80	100KHz
SBS1004-180M-LF	18 $\pm$ 20%	0.060	1.70	100KHz
SBS1004-220M-LF	22 $\pm$ 20%	0.080	1.50	100KHz
SBS1004-270M-LF	27 $\pm$ 20%	0.085	1.20	100KHz
SBS1004-330M-LF	33 $\pm$ 20%	0.110	1.15	100KHz
SBS1004-390M-LF	39 $\pm$ 20%	0.120	1.10	100KHz
SBS1004-470M-LF	47 $\pm$ 20%	0.150	1.00	100KHz
SBS1004-560M-LF	56 $\pm$ 20%	0.160	0.90	100KHz
SBS1004-680M-LF	68 $\pm$ 20%	0.190	0.85	100KHz
SBS1004-820M-LF	82 $\pm$ 20%	0.210	0.80	100KHz
SBS1004-101M-LF	100 $\pm$ 20%	0.300	0.70	100KHz
SBS1004-121M-LF	120 $\pm$ 20%	0.330	0.65	100KHz
SBS1004-151M-LF	150 $\pm$ 20%	0.360	0.55	100KHz
SBS1004-181M-LF	180 $\pm$ 20%	0.510	0.50	100KHz
SBS1004-221M-LF	220 $\pm$ 20%	0.560	0.45	100KHz
SBS1004-271M-LF	270 $\pm$ 20%	0.700	0.40	100KHz
SBS1004-331M-LF	330 $\pm$ 20%	0.760	0.37	100KHz
SBS1004-391M-LF	390 $\pm$ 20%	1.050	0.32	100KHz
SBS1004-471M-LF	470 $\pm$ 20%	1.100	0.30	100KHz
SBS1004-561M-LF	560 $\pm$ 20%	1.250	0.28	100KHz
SBS1004-681M-LF	680 $\pm$ 20%	1.700	0.24	100KHz
SBS1004-821M-LF	820 $\pm$ 20%	1.900	0.23	100KHz
SBS1004-102M-LF	1000 $\pm$ 20%	2.150	0.22	100KHz

- DC current at which the inductance drops 10% (typ) from its value without current.
- Operating temperature range -20°C to +85°C .
- Electrical specifications at 25°C .