



SBS6025 SERIES ~ Shielded SMD Power Inductors



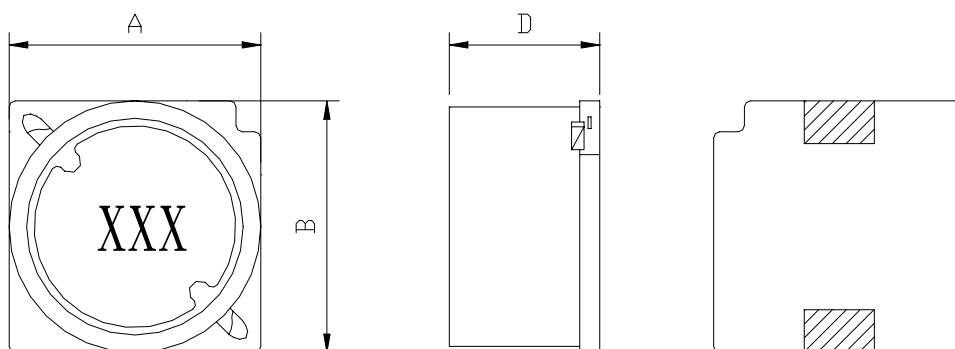
RoHS Compliant

PART NUMBERING SYSTEM

SBS	6 0 2 5	—	1 0 0 M	—	LF
TYPE	DIMENSIONS		INDUCTANCE		LEAD FREE

SHAPES AND DIMENSIONS

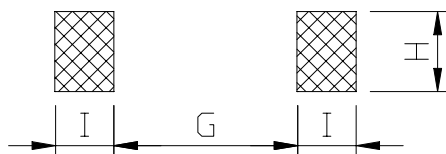
UNIT : mm



A=6.2 Max. B=6.2 Max. D=2.7 Max.

RECOMMENDED PATTERNS

UNIT : mm



G=4.0 H=2.2 I=1.5

FEATURES

- Low profile (6.2mm Max. square , 2.7mm Max. height)
- Magnetically shielded construction
- Suitable for large current
- Ideal for a variety of DC-DC converter inductor applications .
- RoHS compliant .



SBS6025 SERIES ~ Shielded SMD Power Inductors



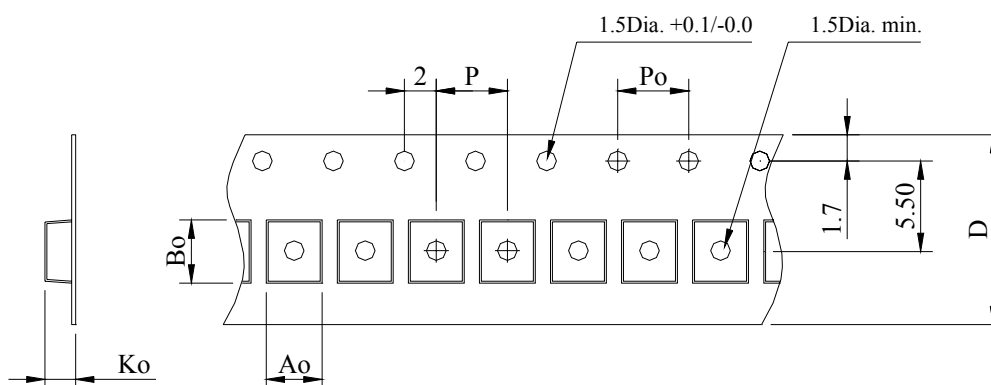
RoHS Compliant

SPECIFICATION TABLE

PART NUMBER	INDUCTANCE (μ H)	DCR (Ω) (max)	Isat (A) (Max.)	Irms (A) (Max.)	TEST FREQ. (f)
SBS6025-4R7M-LF	4.7 \pm 20%	0.0367	1.5	1.5	100KHz
SBS6025-6R8M-LF	6.8 \pm 20%	0.0531	1.3	1.5	100KHz
SBS6025-100M-LF	10 \pm 20%	0.0688	1.0	1.3	100KHz
SBS6025-150M-LF	15 \pm 20%	0.102	0.88	1.1	100KHz
SBS6025-220M-LF	22 \pm 20%	0.146	0.73	0.94	100KHz
SBS6025-330M-LF	33 \pm 20%	0.216	0.59	0.79	100KHz
SBS6025-470M-LF	47 \pm 20%	0.288	0.48	0.67	100KHz
SBS6025-680M-LF	68 \pm 20%	0.444	0.42	0.54	100KHz
SBS6025-101M-LF	100 \pm 20%	0.600	0.33	0.47	100KHz

- Isat : DC current at which the inductance drops 30% (typ) from its value without current.
- Irms: The actual current when temperature of coil becomes $\Delta 40^{\circ}\text{C}$. (Ta=+25 $^{\circ}\text{C}$)
- Operating temperature range -40 $^{\circ}\text{C}$ to +85 $^{\circ}\text{C}$,
- Electrical specifications at 25 $^{\circ}\text{C}$.

PACKAGING SPECIFICATION



STAYLE	Q' TY (PCS)	DIMENSIONS (m/m)					
		Ao	Bo	Ko	P	Po	D \pm 0.3
13"	1,000	6.50	6.50	3.20	8.00	4.00	12.0