



SDC104R SERIES

SMD Shielded Power Inductors



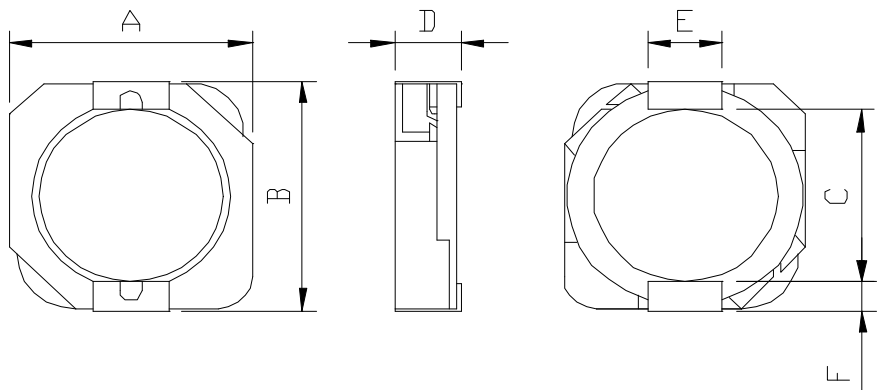
RoHS Compliant

PART NUMBERING SYSTEM

| | | | | | |
|------------|-------------|---|-------------|---|-----------|
| SDC | 104R | — | 150N | — | LF |
| TYPE | DIMENSIONS | | INDUCTANCE | | LEAD FREE |

SHAPES AND DIMENSIONS

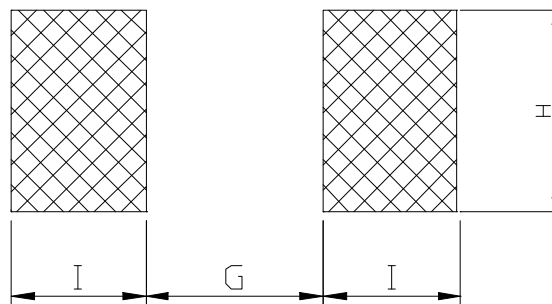
UNIT : mm



A=10.3 max. B=10.4 max. C=7.70 REF D=4.0 max. E=3.0 REF F=1.2 REF

RECOMMENDED PATTERNS

UNIT : mm



H= 3.20 G= 7.30 I = 1.60 J =1.60

FEATURES

- Low profile (4.0mm max. height) and 10.3mmx10.5mm max. square.
- Magnetically shielded and low DC resistance ..
- Ideal for a variety of DC-DC converter inductor , LCD panels , DVD players Computer and portable power devices applications .



SDC104R SERIES



RoHS Compliant

SMD Shielded Power Inductors

ELECTRICAL CHARACTERISTICS :

| PART NUMBER | INDUCTANCE (μ H) | DCR (m Ω) (Max.) | Isat (A) (Max.) | Irms (A) (Max.) | TEST FREQ. (f) |
|-----------------|--------------------------|-----------------------------|----------------------|----------------------|---------------------|
| SDC104R-1R5N-LF | 1.5 \pm 30% | 8.1 | 10.0 | 6.50 | 100KHz 1V |
| SDC104R-2R5N-LF | 2.5 \pm 30% | 10.5 | 7.50 | 6.10 | 100KHz 1V |
| SDC104R-3R8N-LF | 3.8 \pm 30% | 13.0 | 6.00 | 5.50 | 100KHz 1V |
| SDC104R-5R2N-LF | 5.2 \pm 30% | 22.0 | 5.50 | 5.40 | 100KHz 1V |
| SDC104R-7R0N-LF | 7.0 \pm 30% | 27.0 | 4.80 | 4.50 | 100KHz 1V |
| SDC104R-100N-LF | 10 \pm 30% | 35.0 | 4.40 | 3.80 | 100KHz 1V |
| SDC104R-120N-LF | 12 \pm 30% | 46.0 | 3.70 | 3.40 | 100KHz 1V |
| SDC104R-150N-LF | 15 \pm 30% | 50.0 | 3.60 | 3.10 | 100KHz 1V |
| SDC104R-180N-LF | 18 \pm 30% | 69.0 | 3.10 | 2.60 | 100KHz 1V |
| SDC104R-220N-LF | 22 \pm 30% | 73.0 | 2.90 | 2.50 | 100KHz 1V |
| SDC104R-270N-LF | 27 \pm 30% | 88.0 | 2.60 | 2.30 | 100KHz 1V |
| SDC104R-330N-LF | 33 \pm 30% | 93.0 | 2.30 | 2.20 | 100KHz 1V |
| SDC104R-390N-LF | 39 \pm 30% | 127 | 2.20 | 2.00 | 100KHz 1V |
| SDC104R-470N-LF | 47 \pm 30% | 128 | 2.10 | 1.90 | 100KHz 1V |
| SDC104R-560N-LF | 56 \pm 30% | 188 | 1.65 | 1.50 | 100KHz 1V |
| SDC104R-680N-LF | 68 \pm 30% | 213 | 1.50 | 1.42 | 100KHz 1V |
| SDC104R-820N-LF | 82 \pm 30% | 283 | 1.45 | 1.30 | 100KHz 1V |
| SDC104R-101N-LF | 100 \pm 30% | 304 | 1.35 | 1.25 | 100KHz 1V |
| SDC104R-121N-LF | 120 \pm 30% | 375 | 1.20 | 1.08 | 100KHz 1V |
| SDC104R-151N-LF | 150 \pm 30% | 506 | 1.15 | 0.85 | 100KHz 1V |
| SDC104R-181N-LF | 180 \pm 30% | 568 | 1.00 | 0.75 | 100KHz 1V |
| SDC104R-221N-LF | 220 \pm 30% | 756 | 0.92 | 0.70 | 100KHz 1V |
| SDC104R-271N-LF | 270 \pm 30% | 853 | 0.84 | 0.55 | 100KHz 1V |
| SDC104R-331N-LF | 330 \pm 30% | 1090 | 0.70 | 0.52 | 100KHz 1V |

- Isat : DC current at which the inductance drops 35% (typ) from its value without current.
- Irms: The actual current when temperature of coil becomes $\Delta 40^{\circ}\text{C}$. (Ta= $+20^{\circ}\text{C}$)
- **PLATING / SOLDER : TIN-SILVER-COPPER (95.5%/4.0%/0.5%)**



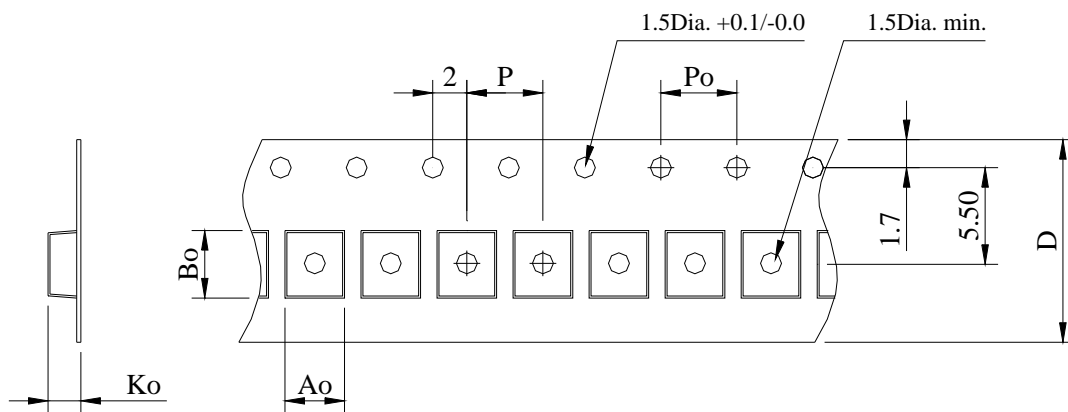
SDC104R SERIES



SMD Shielded Power Inductors

RoHS Compliant

PACKAGING SPECIFICATION



| STAYLE | Q' TY (PCS) | DIMENSIONS (m/m) | | | | | |
|--------|----------------|------------------|-------|-------|------|-------|-------------|
| | | A_o | B_o | K_o | P | P_o | $D \pm 0.3$ |
| 13" | 1,000 | 10.4 | 10.4 | 4.1 | 16.0 | 4.00 | 24.0 |