



RoHS Compliant

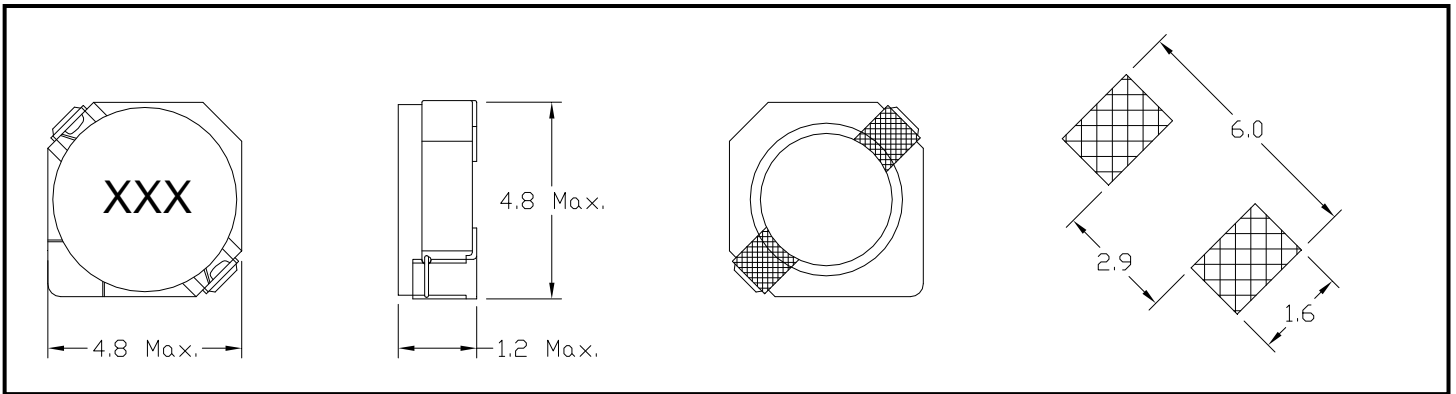
Low Profile Shielded Power Inductors

PART NUMBERING SYSTEM

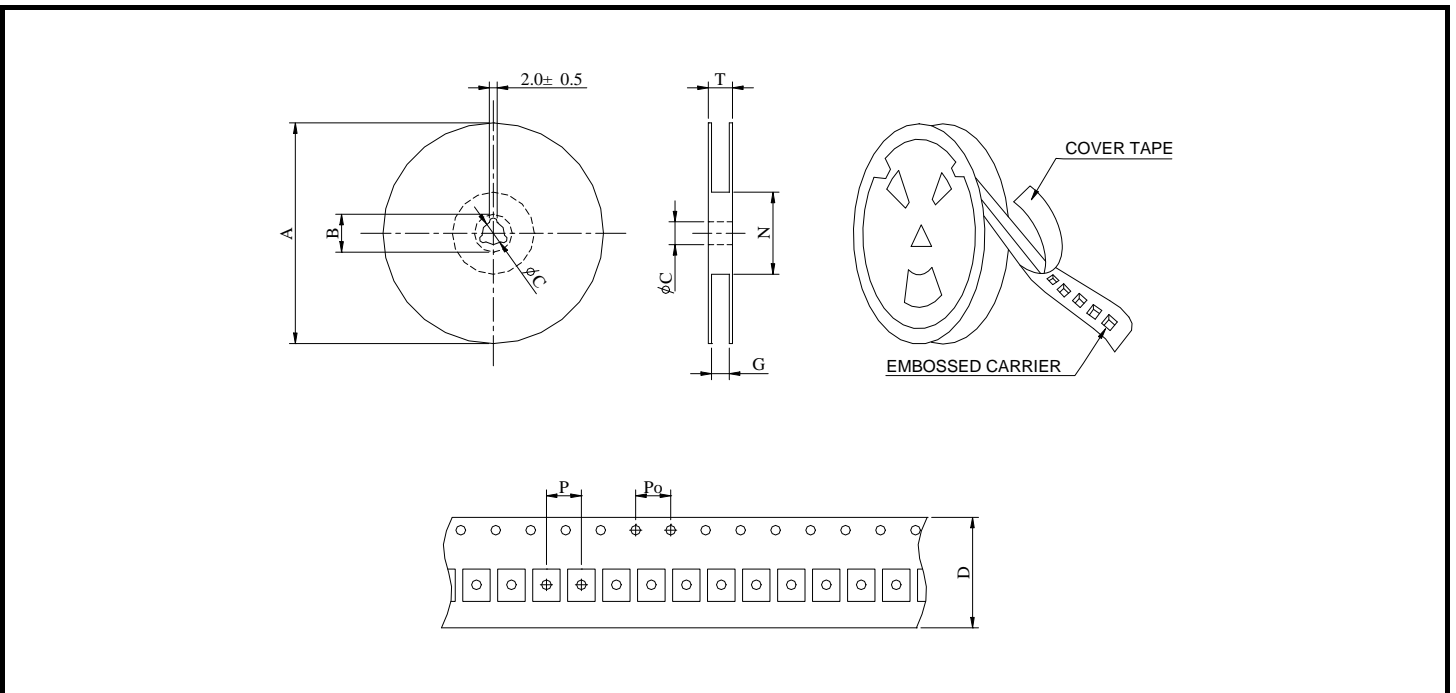
SDC	4D11	—	3R3N	—	LF
TYPE	DIMENSIONS		INDUCTANCE		LEAD FREE

SHAPES AND DIMENSIONS

UNIT : mm



PACKAGING SPECIFICATION



SERIES	STAYLE	Q' TY (PCS)	DIMENSIONS (m/m)								
			A	B±0.8	C±0.5	D	G ⁺⁰	N ⁻⁰	P	Po	T
SDC4D11	13-16	2000	330	21	13	16	18	50	8	4	22.4



Coilmaster Electronics Co., Ltd.

9F-3 No.398, Huan Bei Rd. Chung Li City, Taoyuan 320, Taiwan
Tel : +886-3-422-8279 Fax : +886-3-422-8734

E-mail : info@coilmaster.com.tw

Web Site : www.coilmaster.com.tw



RoHS Compliant

Low Profile Shielded Power Inductors

SPECIFICATION TABLE

PART NUMBER	INDUCTANCE (μ H)	DCR (m Ω) (Max.)	Isat (A) (Max.)	Irms (A) (Max.)	TEST FREQ. (f)
SDC4D11-3R3N-LF	3.3 \pm 30%	103	1.10	1.30	100KHz
SDC4D11-4R7N-LF	4.7 \pm 30%	135	0.96	1.20	100KHz
SDC4D11-6R8N-LF	6.8 \pm 30%	200	0.78	0.86	100KHz
SDC4D11-100N-LF	10 \pm 30%	280	0.65	0.72	100KHz
SDC4D11-150N-LF	15 \pm 30%	450	0.53	0.58	100KHz
SDC4D11-220N-LF	22 \pm 30%	680	0.44	0.44	100KHz
SDC4D11-330N-LF	33 \pm 30%	1080	0.33	0.32	100KHz

- Isat : DC current at which the inductance drops 35% (typ) from its value without current.
- Irms: The actual current when temperature of coil becomes $\Delta 40^{\circ}\text{C}$. (Ta=+20 $^{\circ}\text{C}$)
- Operating temperature range -40 $^{\circ}\text{C}$ to +85 $^{\circ}\text{C}$, Electrical specifications at 20 $^{\circ}\text{C}$.
- Packing : 13" reel, machine-ready ,embossed plastic tape (2,000 parts per full reel).