



SDC4D14 SERIES

Low Profile Shielded Power Inductors



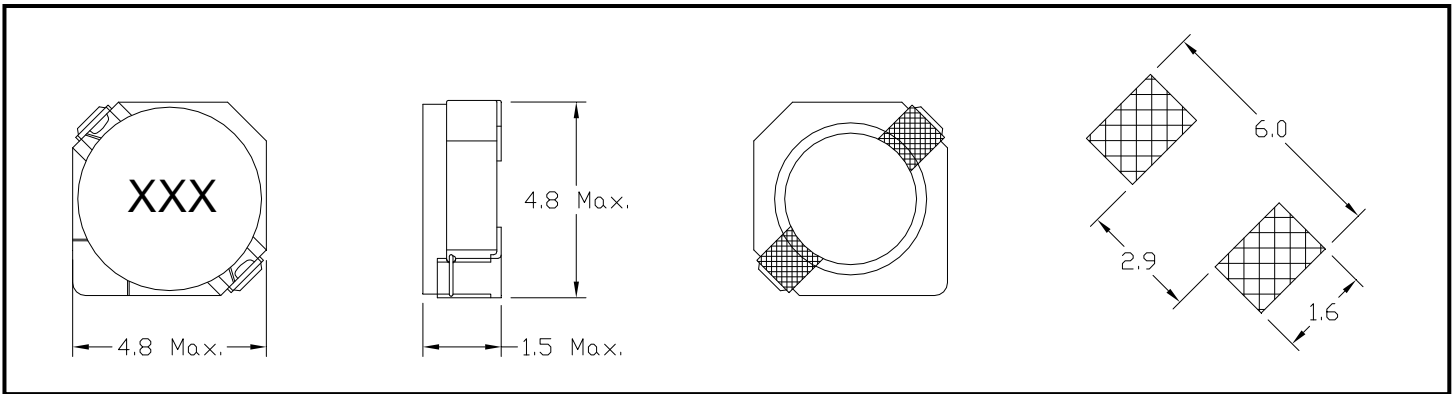
RoHS Compliant

PART NUMBERING SYSTEM

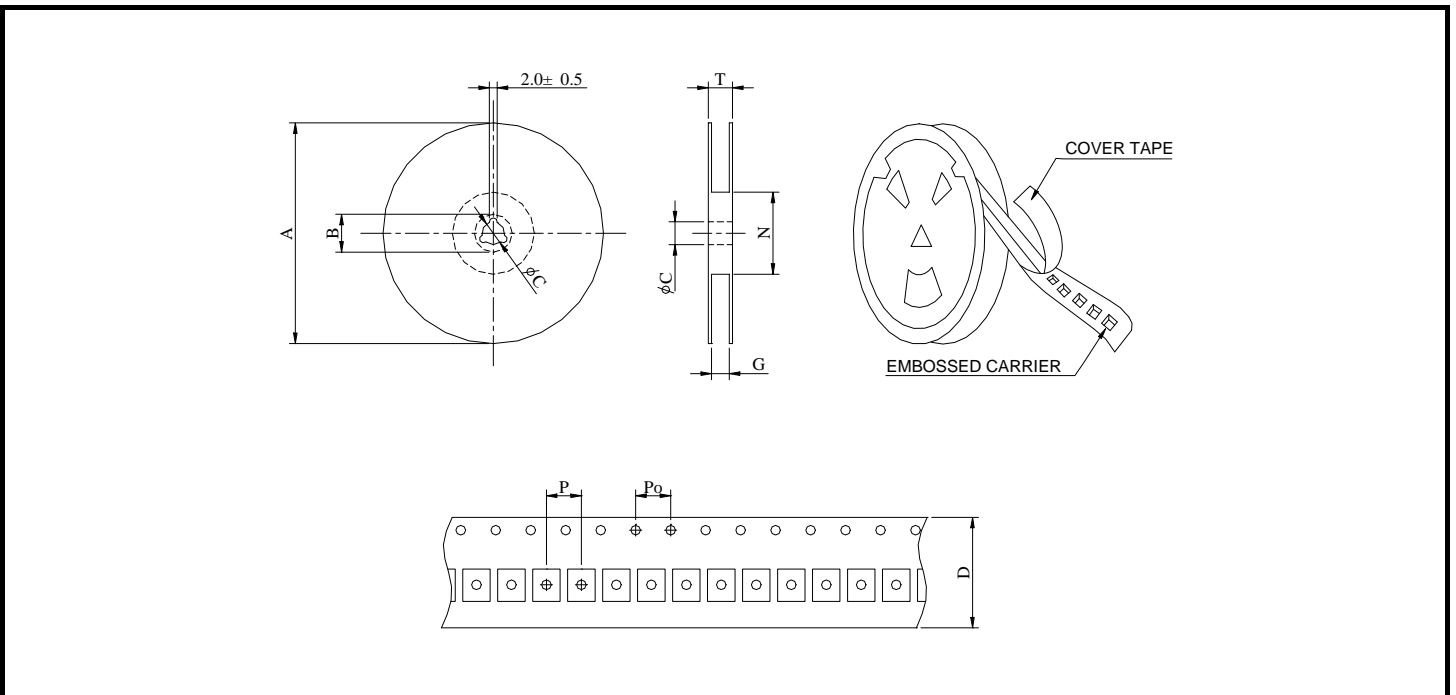
| | | | | | |
|------------|----------------|---|----------------|---|-----------|
| <u>SDC</u> | <u>4 D 1 4</u> | — | <u>3 R 3 N</u> | — | <u>LF</u> |
| TYPE | DIMENSIONS | | INDUCTANCE | | LEAD FREE |

SHAPES AND DIMENSIONS

UNIT : mm



PACKAGING SPECIFICATION



| SERIES | STAYLE | Q' TY (PCS) | DIMENSIONS (m/m) | | | | | | | | |
|---------|--------|----------------|------------------|-------|-------|----|-----------------|----------------|---|----|------|
| | | | A | B±0.8 | C±0.5 | D | G ⁺⁰ | N ⁰ | P | Po | T |
| SDC4D14 | 13-16 | 2000 | 330 | 21 | 13 | 16 | 18 | 50 | 8 | 4 | 22.4 |



Coilmaster Electronics Co., Ltd.

9F-3 No.398, Huan Bei Rd. Chung Li City, Taoyuan 320, Taiwan
Tel : +886-3-422-8279 Fax : +886-3-422-8734

E-mail : info@coilmaster.com.tw

Web Site : www.coilmaster.com.tw

SDC4D14 SERIES

Low Profile Shielded Power Inductors



RoHS Compliant

SPECIFICATION TABLE

| PART NUMBER | INDUCTANCE (μ H) | DCR (m Ω) (Max.) | Isat (A) (Max.) | Irms (A) (Max.) | TEST FREQ. (f) |
|-----------------|--------------------------|-----------------------------|----------------------|----------------------|---------------------|
| SDC4D14-2R2N-LF | 2.2 \pm 30% | 48 | 1.60 | 2.35 | 100KHz |
| SDC4D14-3R0N-LF | 3.0 \pm 30% | 63 | 1.40 | 2.15 | 100KHz |
| SDC4D14-4R7N-LF | 4.7 \pm 30% | 90 | 1.10 | 1.55 | 100KHz |
| SDC4D14-6R8N-LF | 6.8 \pm 30% | 125 | 0.90 | 1.20 | 100KHz |
| SDC4D14-100N-LF | 10 \pm 30% | 185 | 0.73 | 0.90 | 100KHz |
| SDC4D14-150N-LF | 15 \pm 30% | 270 | 0.59 | 0.74 | 100KHz |
| SDC4D14-220N-LF | 22 \pm 30% | 400 | 0.50 | 0.63 | 100KHz |
| SDC4D14-330N-LF | 33 \pm 30% | 560 | 0.41 | 0.50 | 100KHz |
| SDC4D14-470N-LF | 47 \pm 30% | 780 | 0.35 | 0.42 | 100KHz |
| SDC4D14-680N-LF | 68 \pm 30% | 1200 | 0.28 | 0.33 | 100KHz |

- Isat : DC current at which the inductance drops 35% (typ) from its value without current.
- Irms: The actual current when temperature of coil becomes Δ 40°C . (Ta=+20°C)
- Operating temperature range -40°C to +85°C , Electrical specifications at 20°C.
- Packing : 13" reel, machine-ready ,embossed plastic tape (2,000 parts per full reel).