



# SDC4D18 SERIES

## SMD Shielded Power Inductors



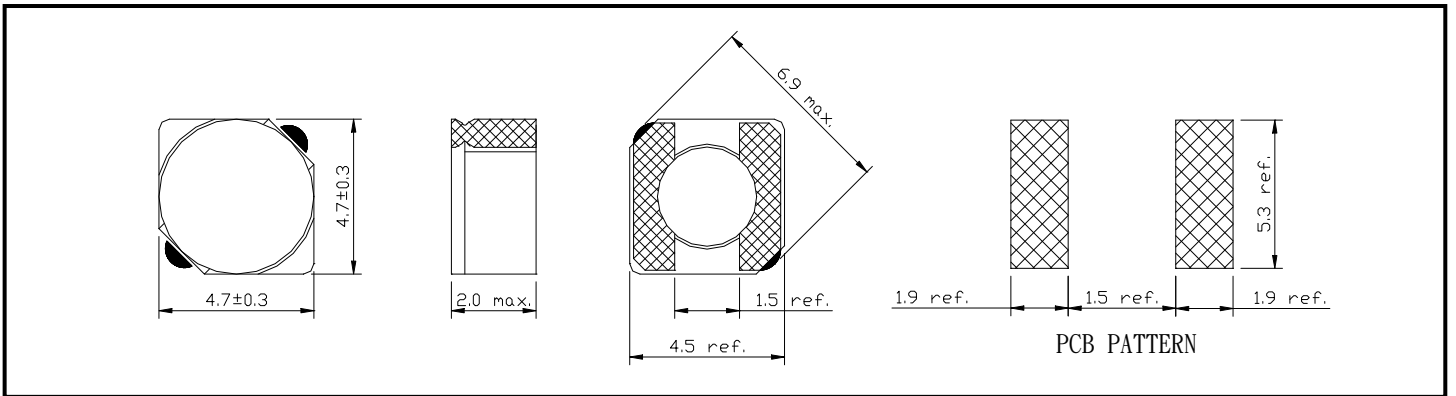
### PART NUMBERING SYSTEM

<b>SDC</b>	<b>4D18</b>	—	<b>1R0N</b>	—	<b>LF</b>
TYPE	DIMENSIONS		INDUCTANCE		LEAD FREE

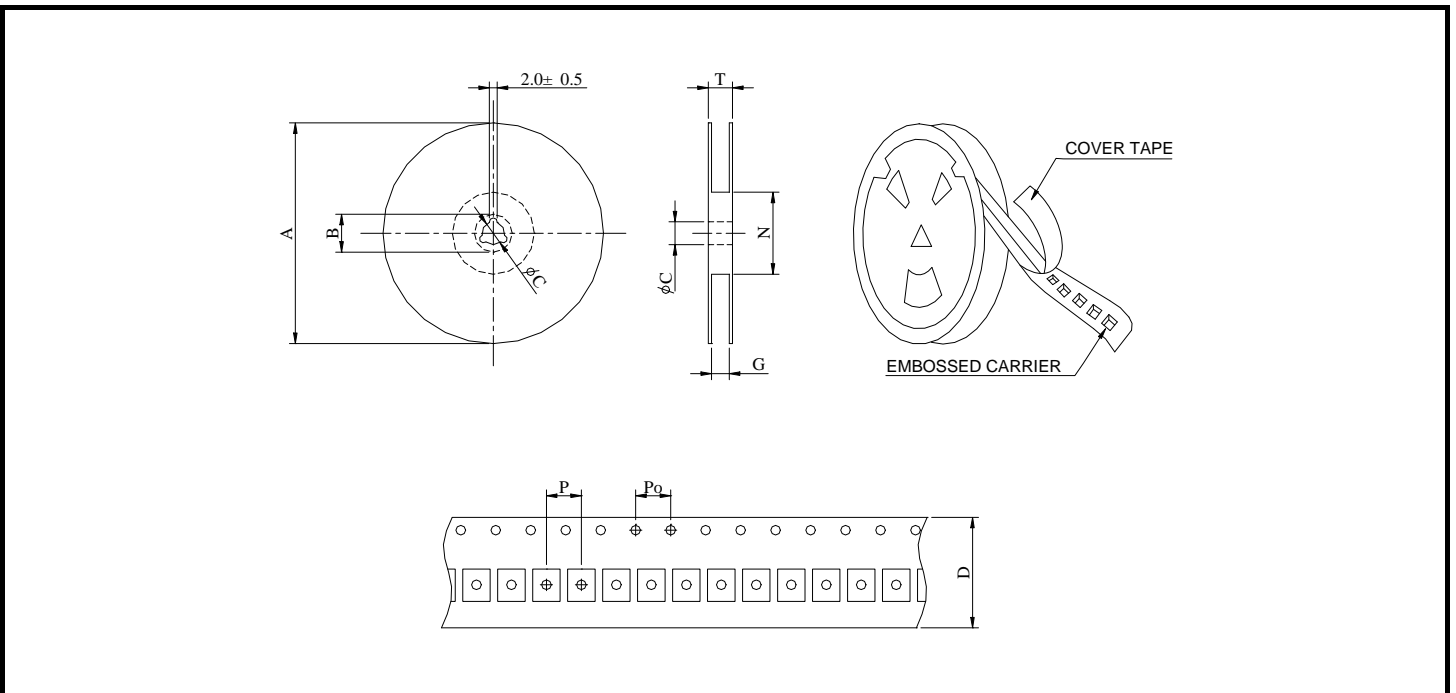
RoHS Compliant

### SHAPES AND DIMENSIONS

UNIT : mm



### PACKAGING SPECIFICATION



SERIES	STAYLE	Q' TY (PCS)	DIMENSIONS (m/m)								
			A	B $\pm 0.8$	C $\pm 0.5$	D	G $^{+0}$	N $^{-0}$	P	Po	T
SDC4D18	13-16	2000	330	21	13	16	18	50	8	4	22.4



## SDC4D18 SERIES

### SMD Shielded Power Inductors



RoHS Compliant

#### SPECIFICATION TABLE

PART NUMBER	INDUCTANCE ( $\mu$ H)	DCR (m $\Omega$ ) (Max.)	IDC (A)	TEST FREQ. (f)
SDC4D18-1R0N-LF	1.0 $\pm$ 30%	45	1.72	7.96MHz
SDC4D18-2R2N-LF	2.2 $\pm$ 30%	75	1.32	7.96MHz
SDC4D18-2R7N-LF	2.7 $\pm$ 30%	105	1.28	7.96MHz
SDC4D18-3R3N-LF	3.3 $\pm$ 30%	110	1.04	7.96MHz
SDC4D18-3R9N-LF	3.9 $\pm$ 30%	155	0.88	7.96MHz
SDC4D18-4R7N-LF	4.7 $\pm$ 30%	162	0.84	7.96MHz
SDC4D18-5R6N-LF	5.6 $\pm$ 30%	170	0.80	7.96MHz
SDC4D18-6R8N-LF	6.8 $\pm$ 30%	180	0.76	7.96MHz
SDC4D18-8R2N-LF	8.2 $\pm$ 30%	190	0.68	7.96MHz
SDC4D18-100N-LF	10 $\pm$ 30%	200	0.61	100KHz
SDC4D18-120N-LF	12 $\pm$ 30%	210	0.56	100KHz
SDC4D18-150N-LF	15 $\pm$ 30%	240	0.50	100KHz
SDC4D18-180N-LF	18 $\pm$ 30%	338	0.48	100KHz
SDC4D18-220N-LF	22 $\pm$ 20%	397	0.41	100KHz
SDC4D18-270N-LF	27 $\pm$ 20%	441	0.35	100KHz
SDC4D18-330N-LF	33 $\pm$ 20%	694	0.32	100KHz
SDC4D18-390N-LF	39 $\pm$ 20%	709	0.30	100KHz
SDC4D18-470N-LF	47 $\pm$ 20%	922	0.28	100KHz
SDC4D18-560N-LF	56 $\pm$ 20%	1080	0.26	100KHz
SDC4D18-680N-LF	68 $\pm$ 20%	1300	0.24	100KHz
SDC4D18-820N-LF	82 $\pm$ 20%	1560	0.22	100KHz
SDC4D18-101N-LF	100 $\pm$ 20%	1730	0.20	100KHz
SDC4D18-121N-LF	120 $\pm$ 20%	2390	0.18	100KHz
SDC4D18-151N-LF	150 $\pm$ 20%	2670	0.15	100KHz
SDC4D18-181N-LF	180 $\pm$ 20%	4000	0.14	100KHz

- Isat : DC current at which the inductance drops 35% (typ) from its value without current.
- Irms: The actual current when temperature of coil becomes  $\Delta$ 40°C . ( Ta=+20°C )
- Operating temperature range -40°C to +85°C , Electrical specifications at 20°C.
- Packing : 13" reel, machine-ready ,embossed plastic tape ( 2,000 parts per full reel).