



SDC5D28R SERIES

SMD Shielded Power Inductors



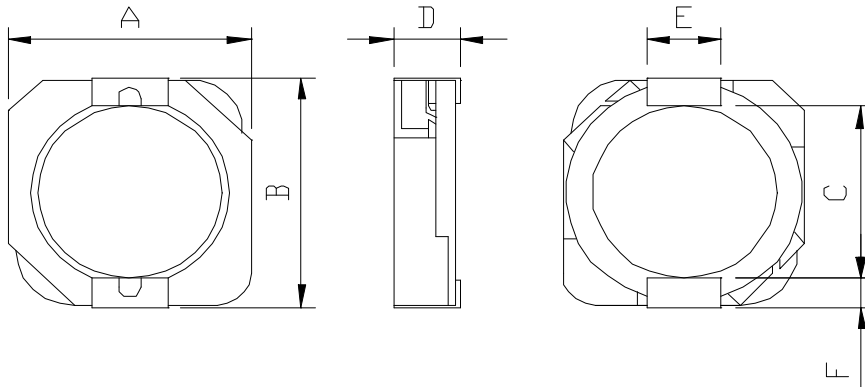
RoHS Compliant

PART NUMBERING SYSTEM

<u>SDC</u>	<u>5D28R</u>	—	<u>101N</u>	—	<u>LF</u>
TYPE	DIMENSIONS		INDUCTANCE		LEAD FREE

SHAPES AND DIMENSIONS

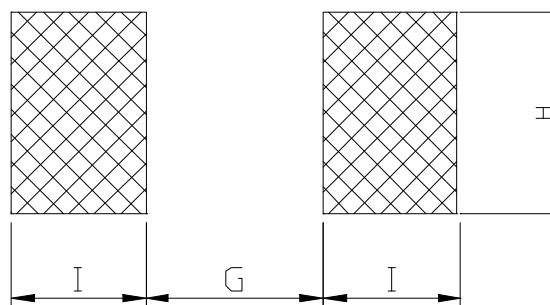
UNIT : mm



A=6.2 max. B=6.3 max. C=4.7 REF D=3.0 max. E=2.0 REF F=0.6 REF

RECOMMENDED PATTERNS

UNIT : mm



H= 2.10 G= 4.60 I = 1.00

FEATURES

- Low profile (3.00mm max. height) and 6.2x6.3mm max. square.
- Magnetically shielded and low DC resistance ..
- Ideal for a variety of DC-DC converter inductor , LCD panels , DVD players Co,puter and portable power devices applications .



Coilmaster Electronics Co., Ltd.
 9F-3 No.398, Huan Bei Rd. Chung Li City, Taoyuan 320, Taiwan
 Tel : +886-3-422-8279 Fax : +886-3-422-8734

E-mail : info@coilmaster.com.tw
 Web Site : www.coilmaster.com.tw

SDC5D28R SERIES

SMD Shielded Power Inductors



RoHS Compliant

ELECTRICAL CHARACTERISTICS :

PART NUMBER	INDUCTANCE (μ H)	DCR (m Ω) (Max.)	Isat (A) (Max.)	TEST FREQ. (f)
SDC5D28R-2R5N-LF	2.5 \pm 30%	17.6	2.60	100KHz
SDC5D28R-3R3N-LF	3.3 \pm 30%	20.3	2.30	100KHz
SDC5D28R-4R0N-LF	4.0 \pm 30%	27.0	2.10	100KHz
SDC5D28R-5R0N-LF	5.0 \pm 30%	31.1	1.85	100KHz
SDC5D28R-6R0N-LF	6.0 \pm 30%	41.9	1.70	100KHz
SDC5D28R-6R8N-LF	6.8 \pm 30%	49.9	1.50	100KHz
SDC5D28R-100N-LF	10 \pm 30%	54.0	1.30	100KHz
SDC5D28R-120N-LF	12 \pm 30%	71.6	1.20	100KHz
SDC5D28R-150N-LF	15 \pm 30%	82.4	1.10	100KHz
SDC5D28R-180N-LF	18 \pm 30%	102	1.05	100KHz
SDC5D28R-220N-LF	22 \pm 30%	119	0.95	100KHz
SDC5D28R-270N-LF	27 \pm 30%	146	0.85	100KHz
SDC5D28R-330N-LF	33 \pm 30%	183	0.76	100KHz
SDC5D28R-390N-LF	39 \pm 30%	210	0.68	100KHz
SDC5D28R-470N-LF	47 \pm 30%	230	0.60	100KHz
SDC5D28R-56N-LF	56 \pm 30%	305	0.55	100KHz
SDC5D28R-680N-LF	68 \pm 30%	351	0.48	100KHz
SDC5D28R-820N-LF	82 \pm 30%	419	0.45	100KHz
SDC5D28R-101N-LF	100 \pm 30%	520	0.40	100KHz

- Isat : DC current at which the inductance drops 35% (typ) from its value without current.
- Irms: The actual current when temperature of coil becomes Δ 40°C . (Ta=+20°C)
- Operating temperature range -40°C to +85°C , Electrical specifications at 20°C.
- Packing : 13" reel, machine-ready ,embossed plastic tape (2,000 parts per full reel).



Coilmaster Electronics Co., Ltd.
 9F-3 No.398, Huan Bei Rd. Chung Li City, Taoyuan 320, Taiwan
 Tel : +886-3-422-8279 Fax : +886-3-422-8734

E-mail : info@coilmaster.com.tw
 Web Site : www.coilmaster.com.tw

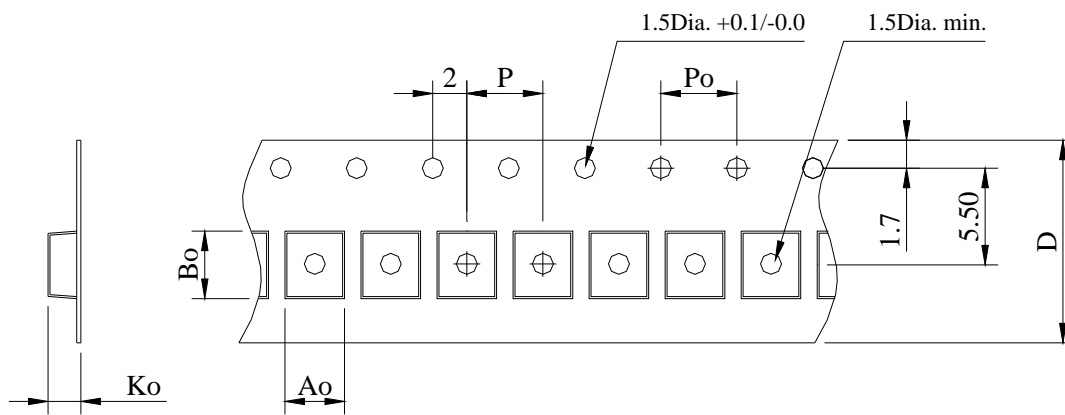
SDC5D28R SERIES

SMD Shielded Power Inductors



RoHS Compliant

PACKAGING SPECIFICATION



STAYLE	Q' TY (PCS)	DIMENSIONS (m/m)					
		Ao	Bo	Ko	P	Po	D±0.3
330	2,000	10.4	10.4	3.1	16.0	4.00	24.0