



SDC8D43 SERIES

SMD Shielded Power Inductors



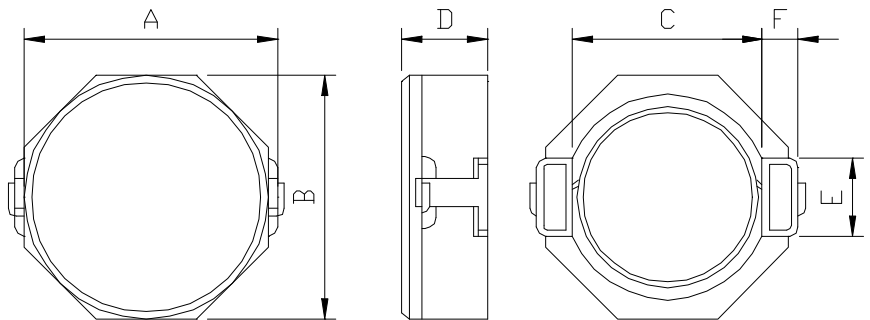
RoHS Compliant

PART NUMBERING SYSTEM

<u>SDC</u>	<u>8 D 4 3</u>	—	<u>1 0 0 N</u>	—	<u>LF</u>
TYPE	DIMENSIONS		INDUCTANCE		LEAD FREE

SHAPES AND DIMENSIONS

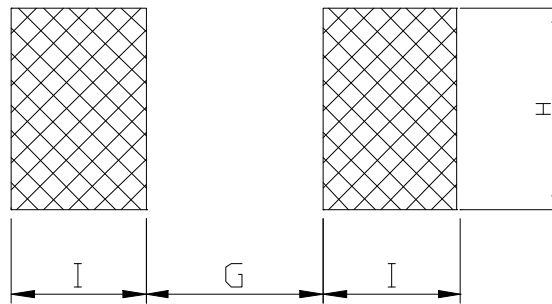
UNIT : mm



A=8.3 max. B=8.3 max. C=6.3 REF D=4.5 max. E=2.5 REF F=1.2 REF

RECOMMENDED PATTERNS

UNIT : mm



H= 2.80 G= 6.10 I = 2.00 J =2.00

FEATURES

- Low profile (4.50mm max. height) and 8.3mmx8.3mm max. square.
- Magnetically shielded and low DC resistance .
- Tape and Reel packaging for pick and place assembly .
- Ideal for a variety of DC-DC converter inductor , LCD panels , DVD players Computer and portable power devices applications .



Coilmaster Electronics Co., Ltd.

9F-3 No.398, Huan Bei Rd. Chung Li City, Taoyuan 320, Taiwan
Tel : +886-3-422-8279 Fax : +886-3-422-8734

E-mail : info@coilmaster.com.tw

Web Site : www.coilmaster.com.tw

SDC8D43 SERIES

SMD Shielded Power Inductors



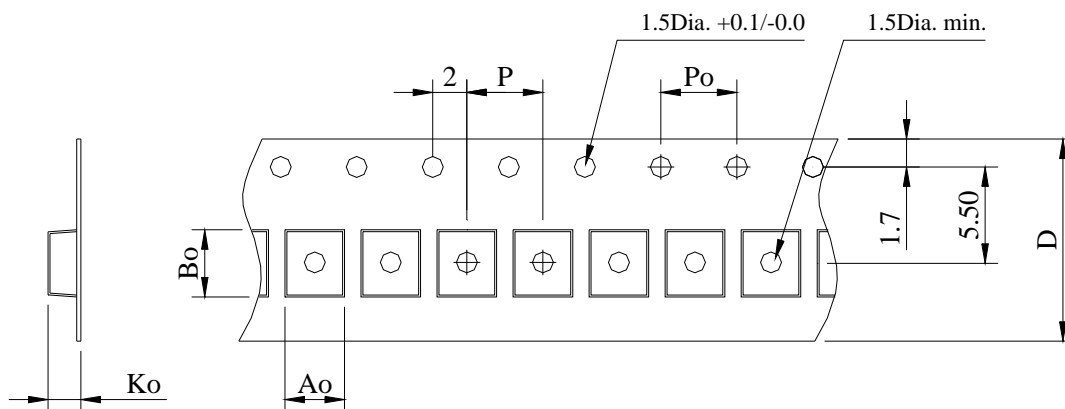
RoHS Compliant

ELECTRICAL CHARACTERISTICS :

PART NUMBER	INDUCTANCE (μ H)	DCR (m Ω) (Max.)	Isat (A) (Max.)	Irms (A) (Max.)	TEST FREQ. (f)
SDC8D43-R68N-LF	0.68 \pm 30%	9.5	9.00	6.90	100KHz
SDC8D43-1R2N-LF	1.2 \pm 30%	12.2	8.00	6.20	100KHz
SDC8D43-2R0N-LF	2.0 \pm 30%	14	7.00	5.50	100KHz
SDC8D43-3R9N-LF	3.9 \pm 30%	19	5.90	4.50	100KHz
SDC8D43-4R7N-LF	4.7 \pm 30%	22	5.60	4.10	100KHz
SDC8D43-6R8N-LF	6.8 \pm 30%	25	4.40	3.90	100KHz
SDC8D43-100N-LF	10 \pm 30%	36	4.00	3.20	100KHz
SDC8D43-150N-LF	15 \pm 30%	53	2.90	2.30	100KHz
SDC8D43-220N-LF	22 \pm 30%	75	2.60	1.80	100KHz
SDC8D43-330N-LF	33 \pm 30%	125	2.20	1.40	100KHz
SDC8D43-470N-LF	47 \pm 30%	150	1.80	1.30	100KHz
SDC8D43-680N-LF	68 \pm 30%	240	1.50	1.00	100KHz
SDC8D43-101N-LF	100 \pm 30%	360	1.30	0.80	100KHz

- Isat : DC current at which the inductance drops 35% (typ) from its value without current.
- Irms: The actual current when temperature of coil becomes $\Delta 40^{\circ}\text{C}$. (Ta=+20 $^{\circ}\text{C}$)
- Operating temperature range -40 $^{\circ}\text{C}$ to +85 $^{\circ}\text{C}$, Electrical specifications at 20 $^{\circ}\text{C}$.

PACKAGING SPECIFICATION



STAYLE	Q' TY (PCS)	DIMENSIONS (m/m)					
		Ao	Bo	Ko	P	Po	D \pm 0.3
13-16	500	10.5	8.2	4.7	16.0	4.00	16.0