



SDC8D58LD SERIES

SMD Shielded Power Inductors



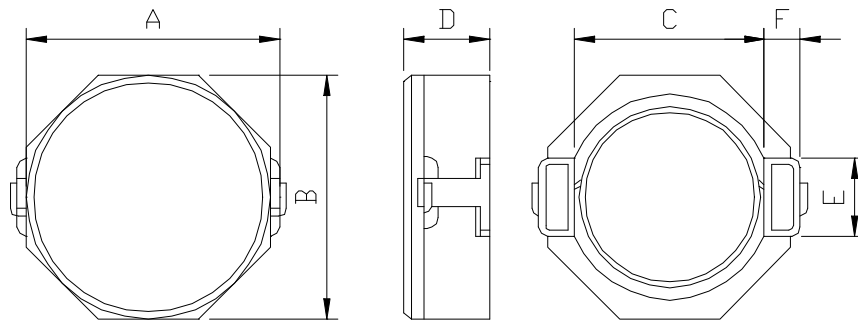
RoHS Compliant

PART NUMBERING SYSTEM

<u>SDC</u>	<u>8D58LD</u>	—	<u>100N</u>	—	<u>LF</u>
TYPE	DIMENSIONS		INDUCTANCE		LEAD FREE

SHAPES AND DIMENSIONS

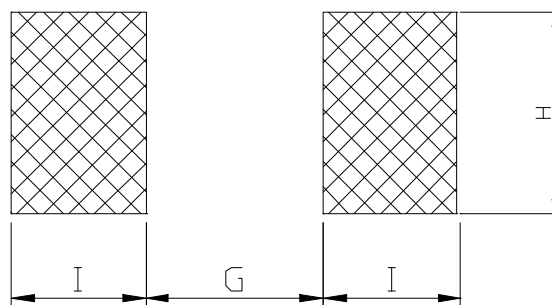
UNIT : mm



A=8.3 max. B=8.3 max. C=6.3 REF D=6.0 max. E=2.5 REF F=1.2 REF

RECOMMENDED PATTERNS

UNIT : mm



H= 2.80 G= 6.10 I = 2.00 J =2.00

FEATURES

- Low profile (6.0mm max. height) and 8.3mmx8.3mm max. square.
- Magnetically shielded and low DC resistance .
- Tape and Reel packaging for pick and place assembly .
- Ideal for a variety of DC-DC converter inductor , LCD panels , DVD players Computer and portable power devices applications .



Coilmaster Electronics Co., Ltd.

9F-3 No.398, Huan Bei Rd. Chung Li City, Taoyuan 320, Taiwan
Tel : +886-3-422-8279 Fax : +886-3-422-8734

E-mail : info@coilmaster.com.tw

Web Site : www.coilmaster.com.tw

SDC8D58LD SERIES

SMD Shielded Power Inductors



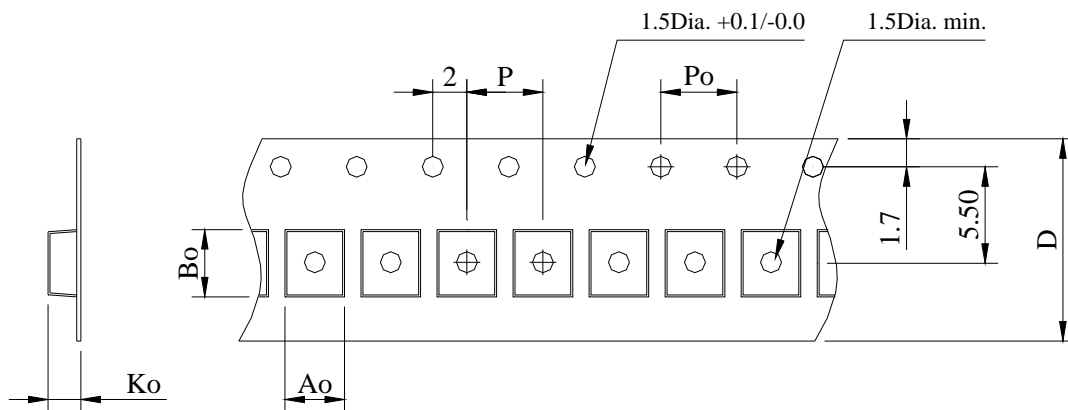
RoHS Compliant

ELECTRICAL CHARACTERISTICS :

PART NUMBER	INDUCTANCE (μ H)	DCR (m Ω) (Max.)	Isat (A) (Max.)	Irms (A) (Max.)	TEST FREQ. (f)
SDC8D58LD-2R8N-LF	2.8 \pm 30%	15.0	4.70	6.90	100KHz
SDC8D58LD-3R9N-LF	3.9 \pm 30%	16.3	4.10	6.30	100KHz
SDC8D58LD-5R0N-LF	5.0 \pm 30%	17.5	3.80	6.00	100KHz
SDC8D58LD-6R2N-LF	6.2 \pm 30%	20.0	3.30	5.50	100KHz
SDC8D58LD-100N-LF	10 \pm 30%	25.6	2.60	4.50	100KHz
SDC8D58LD-150N-LF	15 \pm 30%	36.3	2.30	3.60	100KHz
SDC8D58LD-220N-LF	22 \pm 30%	45.3	1.70	3.30	100KHz
SDC8D58LD-330N-LF	33 \pm 30%	65.3	1.50	2.70	100KHz
SDC8D58LD-470N-LF	47 \pm 30%	90.5	1.20	2.20	100KHz
SDC8D58LD-680N-LF	68 \pm 30%	130	1.00	1.70	100KHz
SDC8D58LD-101N-LF	100 \pm 30%	175	0.80	1.40	100KHz

- Isat : DC current at which the inductance drops 35% (typ) from its value without current.
- Irms: The actual current when temperature of coil becomes $\Delta 40^{\circ}\text{C}$. (Ta = +20 $^{\circ}\text{C}$)
- Operating temperature range -40 $^{\circ}\text{C}$ to +85 $^{\circ}\text{C}$, Electrical specifications at 20 $^{\circ}\text{C}$.

PACKAGING SPECIFICATION



STAYLE	Q' TY (PCS)	DIMENSIONS (m/m)					
		Ao	Bo	Ko	P	Po	D \pm 0.3
13-16	500	10.5	8.2	4.7	16.0	4.00	16.0