



# SDT1608X SERIES –Shielded SMD Power Inductors

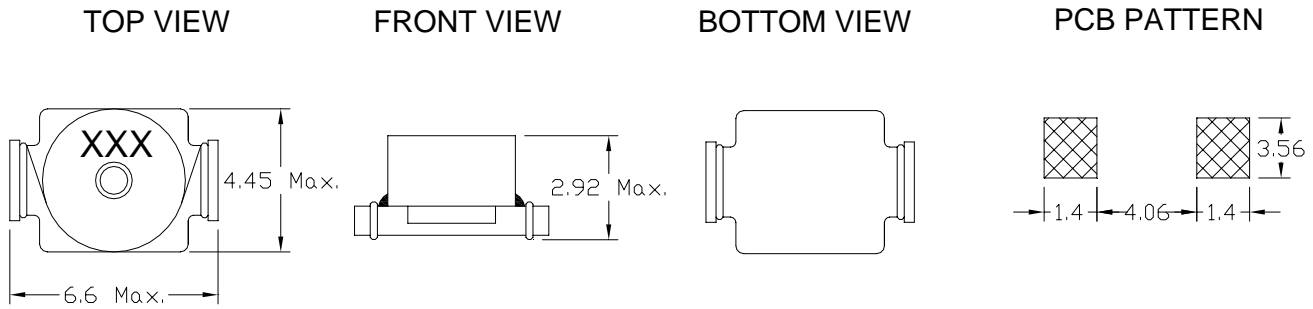


## PART NUMBERING SYSTEM

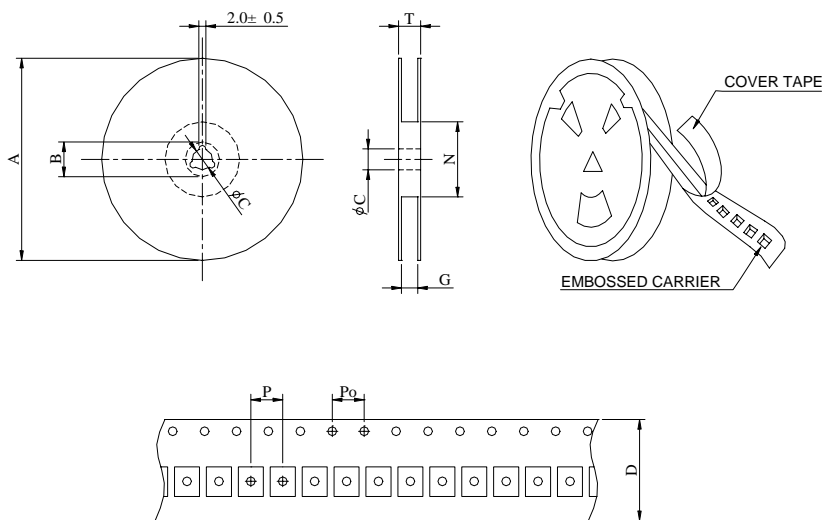
<b>SDT</b>	<b>1 6 0 8 X</b>	<b>-</b>	<b>1 0 1 M</b>	<b>-</b>	<b>LF</b>
TYPE	DIMENSIONS		INDUCTANCE		LEAD FREE

## SHAPES AND DIMENSIONS

UNIT : mm



## PACKAGING SPECIFICATION



SERIES	STAYLE	Q ' TY (PCS)	DIMENSIONS (m/m)								
			A	B±0.8	C±0.5	D	G <sup>+0</sup>	N <sup>0</sup>	P	Po	T
SDT1608X	13-16	2000	330	21	13	16	18	50	8	4	22.4



## SDT1608X SERIES –Shielded SMD Power Inductors



RoHS Compliant

### SPECIFICATION TABLE

PART NUMBER	INDUCTANCE ( $\mu$ H)	INDUCTANCE Rating ( $\mu$ H)	DCR ( $\Omega$ ) (Max.)	IDC ( A )	Switching Freq. Max. ( f )
SDT1608X-1R0M-LF	1.0 $\pm$ 20%	0.6	0.045	2.0	1MHHz
SDT1608X-1R5M-LF	1.5 $\pm$ 20%	0.8	0.050	1.9	1MHHz
SDT1608X-2R2M-LF	2.2 $\pm$ 20%	0.9	0.065	1.5	1MHHz
SDT1608X-3R3M-LF	3.3 $\pm$ 20%	1.5	0.070	1.2	1MHHz
SDT1608X-4R7M-LF	4.7 $\pm$ 20%	2.0	0.080	1.2	1MHHz
SDT1608X-6R8M-LF	6.8 $\pm$ 20%	3.0	0.085	1.0	1MHHz
SDT1608X-100M-LF	10 $\pm$ 20%	5.0	0.095	0.7	1MHHz
SDT1608X-150M-LF	15 $\pm$ 20%	6.0	0.135	0.6	1MHHz
SDT1608X-220M-LF	22 $\pm$ 20%	10	0.160	0.5	1MHHz
SDT1608X-330M-LF	33 $\pm$ 20%	12	0.275	0.45	1MHHz
SDT1608X-470M-LF	47 $\pm$ 20%	20	0.300	0.34	1MHHz
SDT1608X-680M-LF	68 $\pm$ 20%	30	0.575	0.29	1MHHz
SDT1608X-101M-LF	100 $\pm$ 20%	40	1.100	0.24	1MHHz
SDT1608X-151M-LF	150 $\pm$ 20%	60	1.400	0.20	500KHz
SDT1608X-221M-LF	220 $\pm$ 20%	90	2.250	0.17	500KHz
SDT1608X-331M-LF	330 $\pm$ 20%	100	2.900	0.16	500KHz
SDT1608X-471M-LF	470 $\pm$ 20%	150	3.600	0.14	500KHz
SDT1608X-681M-LF	680 $\pm$ 20%	200	4.550	0.12	500KHz
SDT1608X-102M-LF	1000 $\pm$ 20%	400	8.100	0.08	500KHz

Inductance tested at 100 kHz, 0.1 Vrms.

Average maximum allowable current. SDT1608 are designed for current spikes as high as twice the current rating.

Operating temperature range -40 to +85 , Electrical specifications at 25°C.