



SEP0603EC SERIES - High Current SMD Inductors

New Products



RoHS Compliant

PART NUMBERING SYSTEM

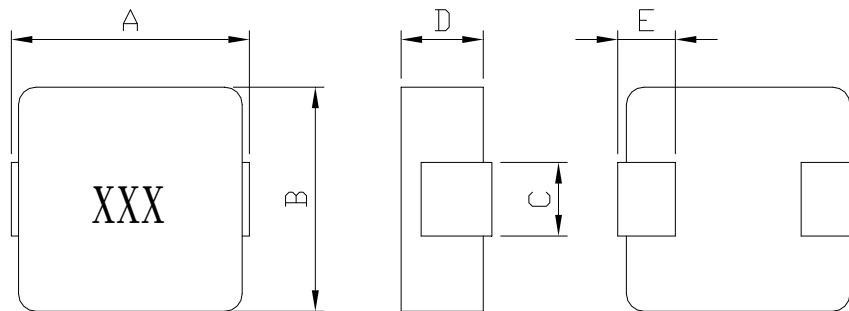
<u>SEP</u>	<u>0603EC</u>	—	<u>220M</u>	—	<u>LF</u>
TYPE	DIMENSIONS		INDUCTANCE		LEAD FREE

FEATURES:

- Low profile (3.0mm max. height) and 7.5 mm max. square.
- Magnetically shielded and low DC resistance.
- Suitable for large current.
- Ultra low buzz noise, due to composite construction .
- Ideal for DC – DC converter inductor application in hand help personal Computer, etc.
- Frequency range up to 1MHZ.
- Large current handling capability.

SHAPES AND DIMENSIONS:

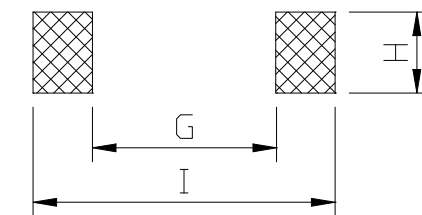
UNIT : mm



A=7.5 Max B=6.8 Max. C=3.0±0.3 D=3.0 Max. E=1.6±0.3

RECOMMENDED PATTERNS:

UNIT : mm



H=3.5 G= 3.7 I = 8.4



SEP0603EC SERIES – High Current SMD Inductors

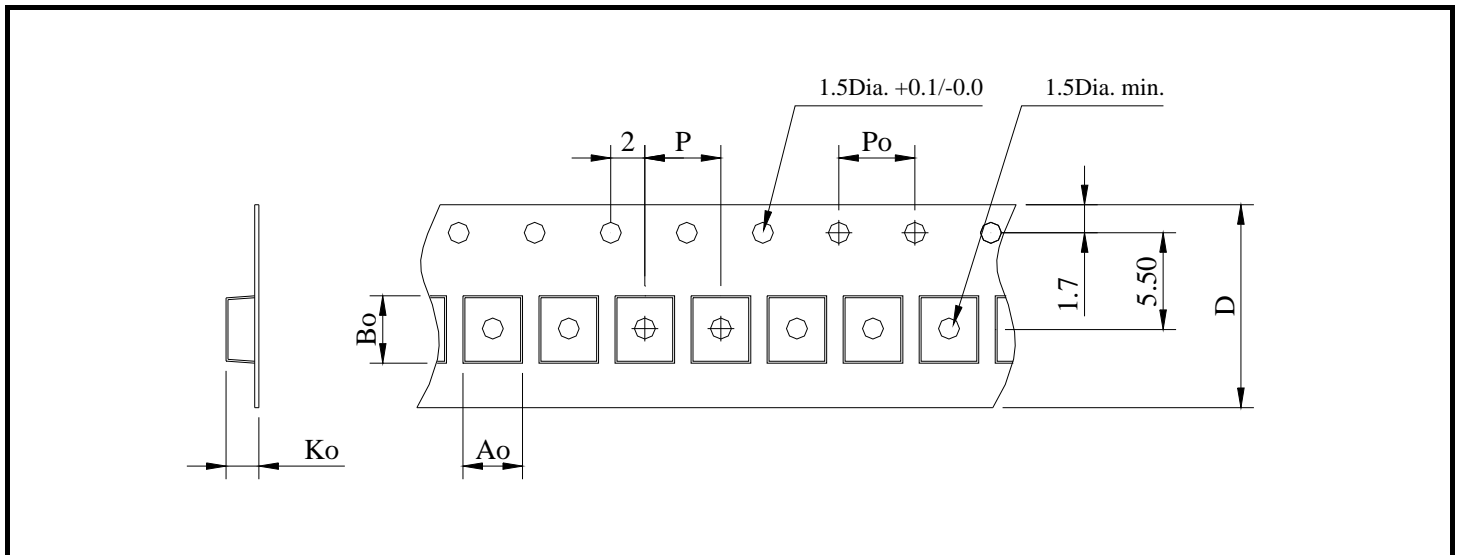
New Products

SPECIFICATION TABLE

PART NUMBER	INDUCTANCE (μ H)	Isat (A) (Min.)	Irms (A) (Min.)	DCR (m Ω) (Max.)	DCR (m Ω) (Typ.)	TEST FREQ. (f)
SEP0603EC-1R0M-LF	1.0 \pm 20%	9.5	12.5	8.00	7.6	100KHz/0.1V
SEP0603EC-2R2M-LF	2.2 \pm 20%	7.0	9.0	16.5	15.7	100KHz/0.1V
SEP0603EC-3R3M-LF	3.3 \pm 20%	6.5	7.0	26.0	24.8	100KHz/0.1V
SEP0603EC-4R7M-LF	4.7 \pm 20%	4.0	6.0	33.4	31.8	100KHz/0.1V
SEP0603EC-6R8M-LF	6.8 \pm 20%	4.0	5.5	46.8	44.6	100KHz/0.1V
SEP0603EC-8R2M-LF	8.2 \pm 20%	4.0	5.0	54.9	52.3	100KHz/0.1V
SEP0603EC-100M-LF	10 \pm 20%	3.5	4.0	71.2	67.8	100KHz/0.1V
SEP0603EC-220M-LF	22 \pm 20%	3.5	2.9	135.0	128.9	100KHz/0.1V

- All test Data is referenced to 25°C ambient.
- Typical Heat Rating DC Current would cause an approximately Δ T of 40°C.
- Typical Saturation DC Current would cause Lo to drop approximately 30%
- Operating Temperature Range: -55°C ~ +125°C.

PACKAGING SPECIFICATION



STAYLE	Q' TY (PCS)	DIMENSIONS (m/m)					D \pm 0.5
		Ao	Bo	Ko	P	Po	
13"	1,000	7.2	7.5	3.6	12	4.0	16