



## SEP1004E SERIES ~

### High Current SMD Power Inductors



RoHS Compliant

#### PART NUMBERING SYSTEM

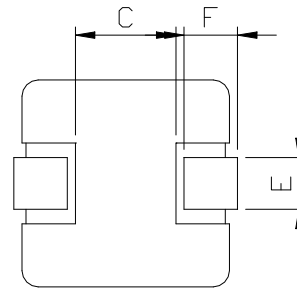
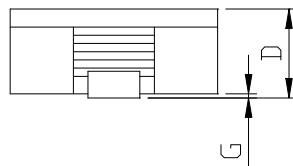
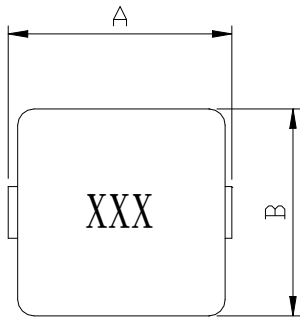
<u>SEP</u>	<u>1004E</u>	—	<u>1R0M</u>	—	<u>LF</u>
TYPE	DIMENSIONS		INDUCTANCE		LEAD FREE

#### SHAPES AND DIMENSIONS :



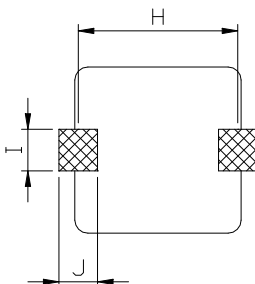
#### FEATURES :

- \* Low profile.
- \* Magnetically shielded low DC resistance .
- \* Suitable for large current application.
- \* Laptop & Notebook computers.
- \* Battery powered equipment.
- \* DC/DC converters.
- \* Digital \ Cameras \ Scanners, CD-ROM & DVD.



A=11.5±0.5 B=10.5±0.5 C=6.0 Ref. D=4.0 Max. E=2.5 Ref. F=2.3 Ref. G=0.2 Max. UNIT : mm

#### RECOMMENDED PATTERNS



H= 9.50 I= 4.00 J= 3.50

UNIT : mm



## SEP1004E SERIES ~

### High Current SMD Power Inductors



RoHS Compliant

#### SPECIFICATION TABLE

PART NUMBER	INDUCTANCE ( $\mu$ H)	Isat ( A ) (Max.)	Irms ( A ) ( $\Delta$ t) 40°C (Max.)	DCR (m $\Omega$ ) (Max.)
SEP1004E-R19M-LF	0.19 $\pm$ 20%	90.0	40.0	0.95
SEP1004E-R36M-LF	0.36 $\pm$ 20%	60.0	31.5	1.40
SEP1004E-R56M-LF	0.56 $\pm$ 20%	49.0	27.5	1.80
SEP1004E-1R0M-LF	1.00 $\pm$ 20%	36.0	17.5	4.10
SEP1004E-1R5M-LF	1.50 $\pm$ 20%	27.5	15.0	5.80
SEP1004E-2R2M-LF	2.20 $\pm$ 20%	25.5	12.0	9.00
SEP1004E-3R3M-LF	3.30 $\pm$ 20%	18.0	10.0	11.8
SEP1004E-4R7M-LF	4.70 $\pm$ 20%	17.0	9.5	16.5
SEP1004E-5R6M-LF	5.60 $\pm$ 20%	16.0	8.5	19.3
SEP1004E-6R8M-LF	6.80 $\pm$ 20%	13.5	8.0	23.3
SEP1004E-8R2M-LF	8.20 $\pm$ 20%	12.5	7.0	34.0
SEP1004E-100M-LF	10.0 $\pm$ 20%	12.0	6.8	36.5

- Inductance measured at 100 kHz, 0.1 Vrms
- Isat : DC current at which the inductance drops 20% (typ) from its value without current.
- Irms : Average current for a 40°C temperature rise above 25°C ambient.
- Operating temperature range -40°C to +120°C ,
- Electrical specifications at 20°C .



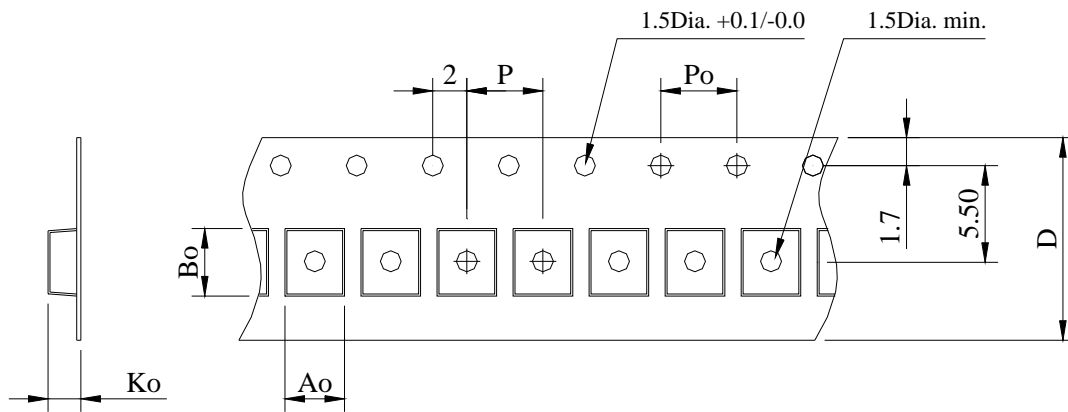
## SEP1004E SERIES ~

### High Current SMD Power Inductors



RoHS Compliant

#### PACKAGING SPECIFICATION



STAYLE	Q' TY (PCS)	DIMENSIONS (m/m)					
		$A_o$	$B_o$	$K_o$	$P$	$P_o$	$D \pm 0.3$
13"	500	12.2	11.2	4.1	16	4.0	24