



## AL0510 SERIES ~ Axial Leaded Inductors



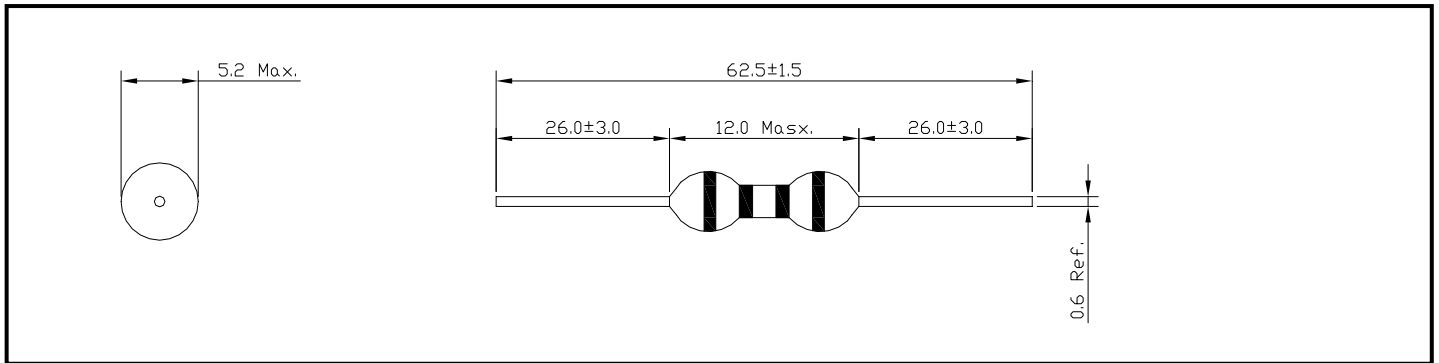
RoHS Compliant

### PART NUMBERING SYSTEM

<u>AL</u>	<u>0510</u>	—	<u>122K</u>	—	<u>LF</u>
TYPE	DIMENSIONS		INDUCTANCE		LEAD FREE

### SHAPES AND DIMENSIONS

UNIT : mm





**Coilmaster Electronics Co., Ltd.**

9F-3 No.398, Huan Bei Rd. Chung Li City, Taoyuan 320, Taiwan  
Tel : +886-3-422-8279 Fax : +886-3-422-8734

E-mail : [info@coilmaster.com.tw](mailto:info@coilmaster.com.tw)

Web Site : [www.coilmaster.com.tw](http://www.coilmaster.com.tw)

## AL0510 SERIES ~ Axial Leaded Inductors



RoHS Compliant

### SPECIFICATION TABLE

PART NUMBER	INDUCTANCE (mH)(L)	Q (min)	DCR ( $\Omega$ ) (max)	IDC (mA) (max)	F (KHz) For "L"	F (KHz) For "Q"
AL0510-122K-LF	1.20 $\pm$ 10%	60	14.50	120	1.0	252
AL0510-152K-LF	1.50 $\pm$ 10%	60	16.50	120	1.0	252
AL0510-182K-LF	1.80 $\pm$ 10%	60	19.00	120	1.0	252
AL0510-222K-LF	2.20 $\pm$ 10%	60	27.50	120	1.0	252
AL0510-272K-LF	2.70 $\pm$ 10%	60	40.00	60	1.0	252
AL0510-332K-LF	3.30 $\pm$ 10%	50	50.00	60	1.0	252
AL0510-392K-LF	3.90 $\pm$ 10%	50	53.00	60	1.0	252
AL0510-472K-LF	4.70 $\pm$ 10%	50	60.00	60	1.0	252
AL0510-562K-LF	5.60 $\pm$ 10%	50	64.00	60	1.0	252
AL0510-682K-LF	6.80 $\pm$ 10%	50	73.00	60	1.0	252
AL0510-822K-LF	8.20 $\pm$ 10%	30	80.00	60	1.0	252
AL0510-103K-LF	10.00 $\pm$ 10%	25	132.00	30	1.0	79.6
AL0510-123K-LF	12.00 $\pm$ 10%	25	143.00	30	1.0	79.6
AL0510-153K-LF	15.00 $\pm$ 10%	25	166.00	30	1.0	79.6
AL0510-183K-LF	18.00 $\pm$ 10%	25	185.00	30	1.0	79.6
AL0510-223K-LF	22.00 $\pm$ 10%	20	330.00	15	1.0	79.6
AL0510-273K-LF	27.00 $\pm$ 10%	20	370.00	15	1.0	79.6
AL0510-303K-LF	30.00 $\pm$ 10%	20	390.00	15	1.0	79.6
AL0510-333K-LF	33.00 $\pm$ 10%	20	426.00	15	1.0	79.6
AL0510-393K-LF	39.00 $\pm$ 10%	20	473.00	15	1.0	79.6

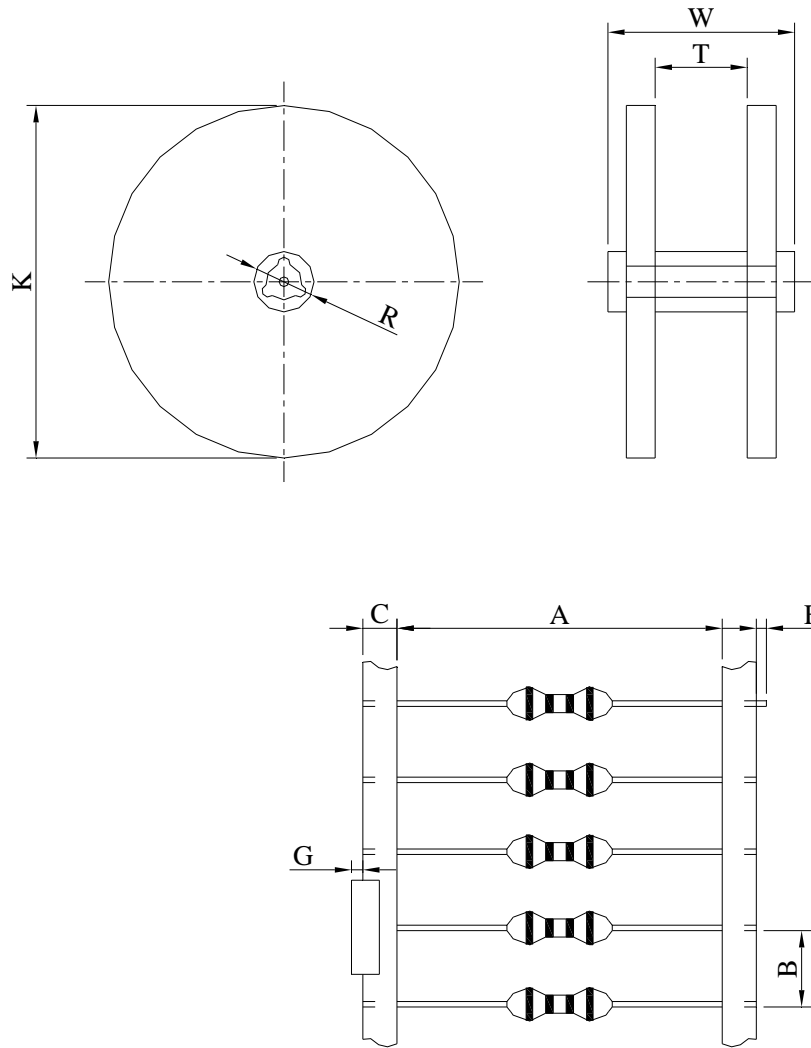


# AL0510 SERIES ~ Axial Leaded Inductors



RoHS Compliant

## PACKAGING SPECIFICATION



SERIES	STAYLE	Q' TY (PCS)	DIMENSIONS (m/m)								
			K	T	W	R	A	B	C	F <sup>+0</sup>	G
AL0510		5000	355	66	72	17.5	52±1.0	5±0.5	6±1.0	0.8	1.0