



10/100Base-T Singel Port Transformers



RoHS Compliant

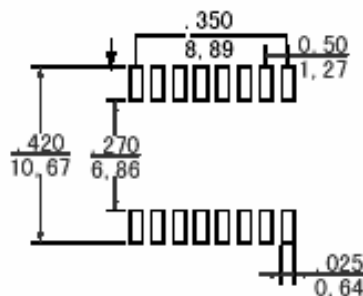
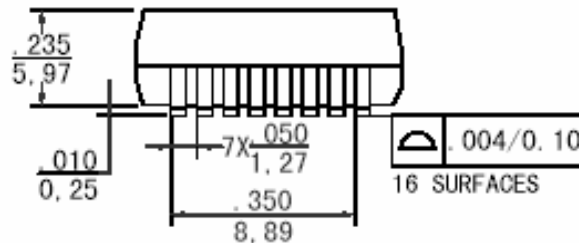
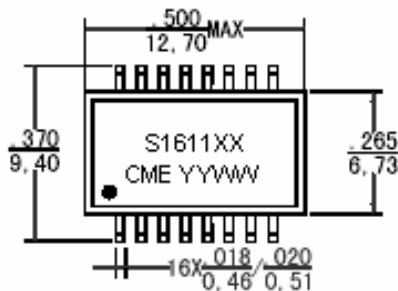
PART NUMBERING SYSTEM



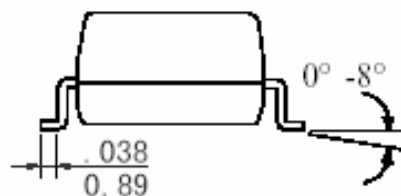
FEATURES

- With various turns ratios
- Meets all IEEE standards including **350uH OCL with 8mA bias**
- RoHS compliant
- **RoHS compliant peak solder rating 235°C**

SHAPES AND DIMENSIONS



SUGGESTED PAD LAYOUT





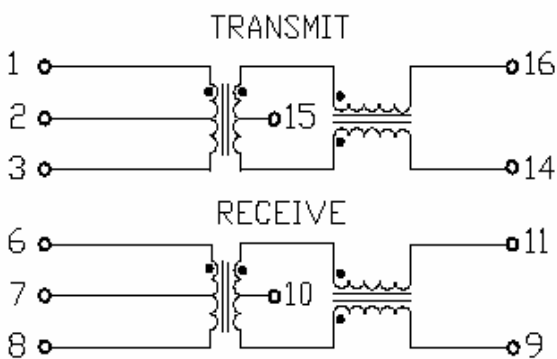
10/100Base-T Singel Port Transformers S1611XX-LF Series



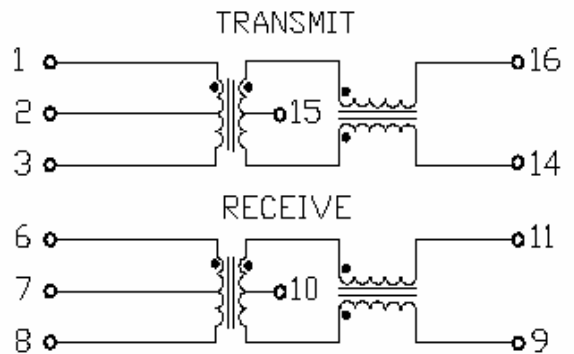
RoHS Compliant

Schematics

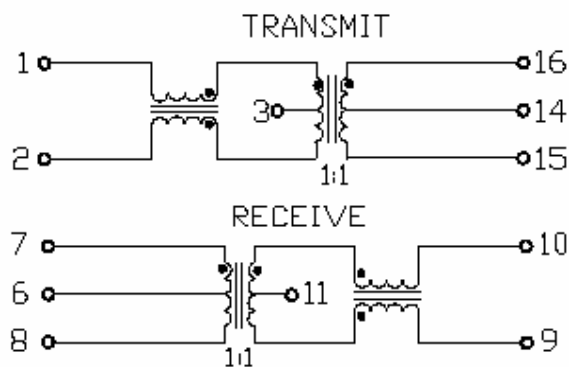
S16-110X-LF



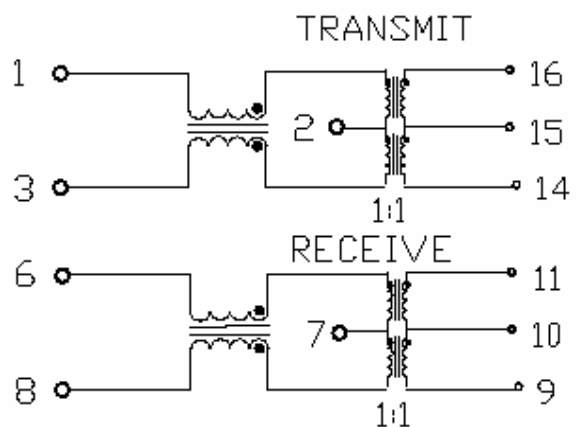
S16-1121-LF , S16-1188-LF



S16-1199-LF



S16-1198-LF , S16-1183-LF





10/100Base-T Singel Port Transformers S1611XX-LF Series



RoHS Compliant

ELECTRICAL CHARACTERISTICS :

PART NUMBER	Turns Ratio		Insertion Loss(dB Max)	Return Loss (dB Typ)			Differential to Common Mode Rejection(dB Typ)			Crosstalk (dB Typ)			Hipot (Vrms Min)
	TX	RX		0.1-1000MHz	30MHz	60MHz	80MHz	30MHz	50MHz	100MHz	30MHz	60MHz	
S16-1100-LF	2:1	1:1	-1.1	-20	-14	-11.5	-42	-37	-33	-45	-40	-35	1500
S16-1101-LF	1.25:1	1:1	-1.1	-20	-14	-11.5	-42	-37	-33	-45	-40	-35	1500
S16-1102-LF	1:1	1:1	-1.1	-20	-14	-11.5	-42	-37	-33	-45	-40	-35	1500
S16-1121-LF	1:1.414	1:1	-1.1	-18	-12	-11.5	-42	-37	-30	-45	-40	-35	1500
S16-1183-LF	1:1	1:1	-1.0	-18	-14	-12.0	-40	-40	-40	-35	-35	-35	1500
S16-1199-LF	1:1	1:1	-0.9	-18	-12	-11.0	-40	-35	-30	-45	-45	-37	1500
S16-1188-LF	1:1	1:1	-1.0	-20	-14	-12.0	-42	-37	-32	-45	-40	-35	1500
S16-1198-LF	1:1	1:1	-1.0	-20	-14	-12.0	-42	-37	-32	-45	-40	-35	1500

- 1) Operating temperature -40°C to +
- 2) Electrical specifications at 25°C