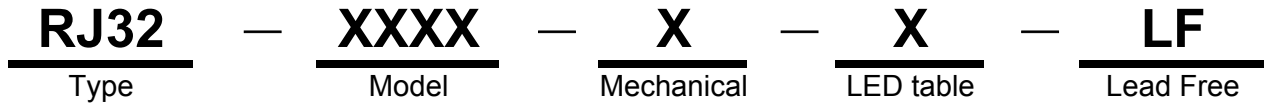


Through Hole Tab-Up RJ45 Jack With 10/100/1000 Magnetic



Coilmaster Electronics Co., Ltd.

PART NUMBERING SYSTEM



FEATURES

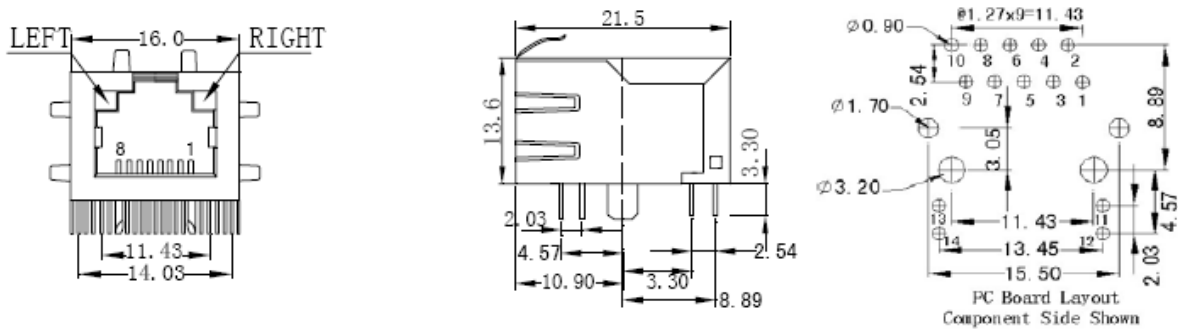
- 1x1 Tab-UP 0.85'and 1' long with internal magnetics for 10/100/1000 Base-TX
- Internal magnetics options available
- 350uH minimum OCL with 8mA bias current
- For RoHS Compliant oarts add suffix LF
- **RoHS compliant peak solder rating 235 °C**



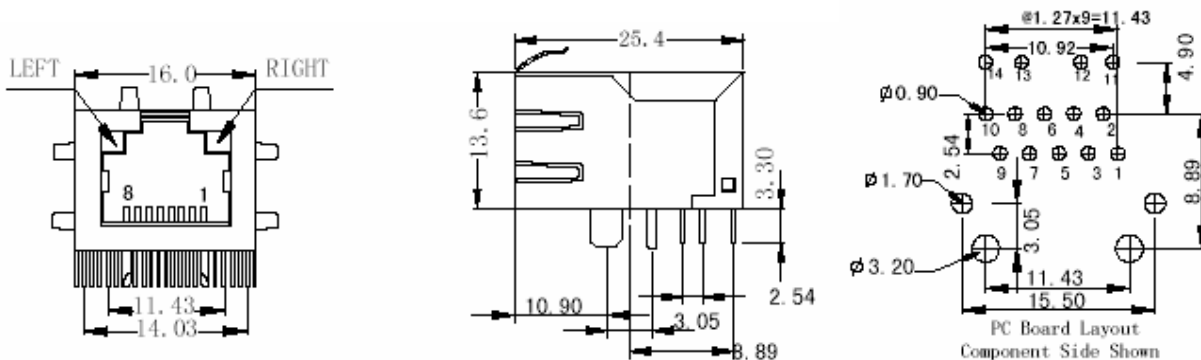
RoHS Compliant

SHAPES AND DIMENSIONS

Mechanicals : RJ32-1630XA-LF, X=1,2,



Mechanicals : RJ32-17302A-LF



Through Hole Tab-Up RJ45 Jack With 10/100/1000 Magnetic

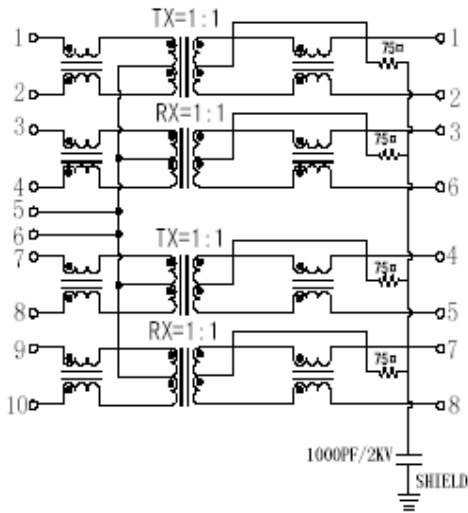


Coilmaster Electronics Co., Ltd.

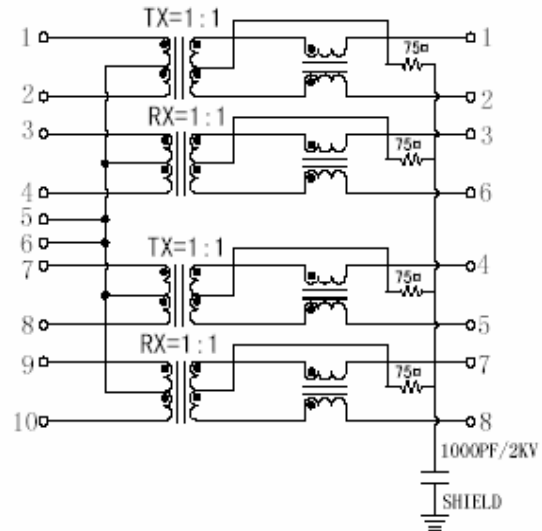


RoHS Compliant

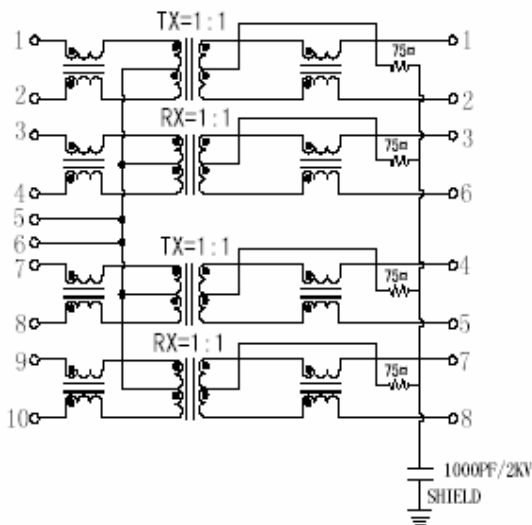
RJ32-16301-LF



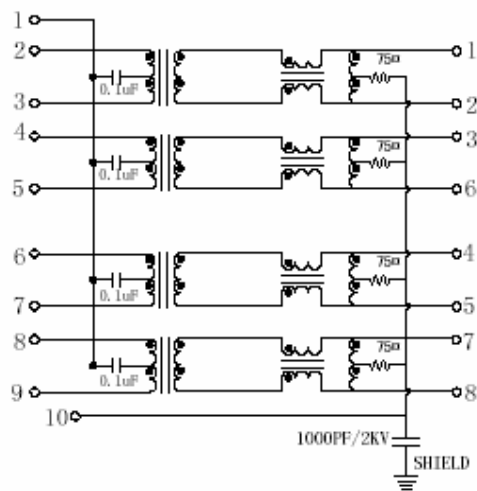
RJ32-16302-LF



RJ32-16303-LF



RJ32-17302-LF



Through Hole Tab-Up RJ45 Jack With 10/100/1000 Magnetic



Coilmaster Electronics Co., Ltd.

FEATURES

- 1x1 Tab-UP 0.85'and 1' long with internal magnetics for 10/100/1000 Base-TX
- Internal magnetics options available
- 350uH minimum OCL with 8mA bias current
- For RoHS Compliant oarts add suffix LF
- **RoHS compliant peak solder rating 235°C**



RoHS Compliant

ELECTRICAL CHARACTERISTICS @ 25°C --- Operating Temperature 0°C to 70°C

PART NUMBER	Turns Ratios		Insertion Loss (dB Min)	Return loss (dB Typ) @100Ω				Crosstalk MHz(dB Typ)			Common Mode Rejection (XMIT) (dB Min)			Hipot (Vrms Min)
	TX	RX		0.3-100MHz	1-30MHz	40MHz	50MHz	60-80MHz	30MHz	60MHz	100MHz	5MHz	10MHz	
RJ3216301A-LF	1:1	1:1	-1.2	-16	-13.5	-12	-10	-40	-36	-30	-35	-32	-30	1500
RJ3216302A-LF	1:1	1:1	-1.2	-16	-13.5	-12	-10	-40	-36	-30	-35	-32	-30	1500
RJ3216303A-LF	1:1	1:1	-1.2	-16	-13.5	-12	-10	-40	-36	-30	-35	-32	-30	1500
RJ3217302A-LF	1:1	1:1	-1.2	-16	-13.5	-12	-10	-40	-36	-30	-35	-32	-30	1500