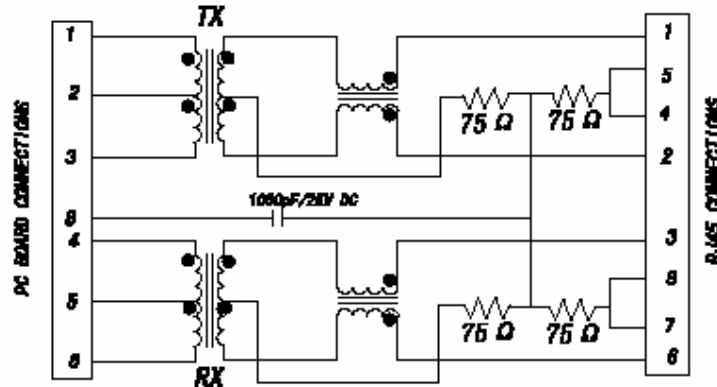


Vertical RJ45 Connector With 10/100 Base-TX Magnetics



Coilmaster Electronics Co., Ltd.

Schematics



FEATURES

1. Available in **Tape & Reel** format
2. SMT product available with or without LEDs
3. Internal magnetics : 100% electrically tested for Hi-Pot & continuity
4. For RoHS part add suffix LF
5. **RoHS compliant peak solder rating 235°C**

ELECTRICAL CHARACTERISTICS @ 25°C --- Operating Temperature 0°C to 70°C

PART NUMBER	Turns Ratios (0.1MHz/0.1V)		Insertion Loss (dB Max.)	Return loss (dB) MHz				Crosstalk (dB) MHz			Hipot (Vrms Min)
	TX	RX		1-65MHz	1-10	10-30	30-60	60-100	1-30	30-60	
RJ32-D0012B-LF	1:1	1:1	-1.0	-20	-16	-12	-10	-40	-35	-30	1500
PART NUMBER	LX (0.1MHz/0.1V /8mA DC bias)		DCR (Ω) (Max.)		CMR (dB) Min. MHz		Hipot (Vrms Min)				
			(P1-P2,J1-J2,J3-J6)	P7-P8	1-50	50-150					
RJ32-D0012B-LF	350uH Min		1.0	1.2	-30	-20					