

Through Hole Tab-Up RJ45 Jack with 10/100/1000 Magnetic



Coilmaster Electronics Co., Ltd.

PART NUMBERING SYSTEM

RJ32 — **G1630X** — **X** — **X** — **LF**
 Type — Model — Mechanical — LED table — Lead Free

(1) LED ordering options :

LED Code	LED COLOR		LED POLARITY
	LEFT	RIGHT	
U	G	YG	
D	Y	G	
E	G	Y	
F	G	G	
G	Y	G	
H	G	Y	

(2) FEATURES :

- 1x1 Tab-Up 0.85" & 1" long with internal magnetics
- Internal magnetics options available
- 350uH min. OCL with 8mA bias current
- RoHS compliant peak solder rating 235°C**



ELECTRICAL CHARACTERISTICS @ 25°C --- Operating Temperature 0°C to 70°C

PART NUMBER	Turns Ratios		Insertion Loss (dB Typ.) 0.3-100MHz	Return loss (dB Typ.) @100Ω(MHz)				Crosstalk (dB Min) MHz			Differential Common Mode Rejection (dB typ) MHz		
	TX	RX		1-30	40	50	60-80	30	60	100	30	60	100
RJ32-G16301A-LF	1:1	1:1	-1.2	-16	-13.5	-11.5	-10	-40	-36	-30	-40	-36	-30
RJ32-G16302A-LF	1:1	1:1	-1.2	-16	-13.5	-11.5	-10	-40	-36	-30	-40	-36	-30
RJ32-G16303A-LF	1:1	1:1	-1.2	-16	-13.5	-11.5	-10	-40	-36	-30	-40	-36	-30
RJ32-G17302A-LF	1:1	1:1	-1.2	-16	-13.5	-11.5	-10	-40	-36	-30	-40	-36	-30

Hipot : 1500 Vrms

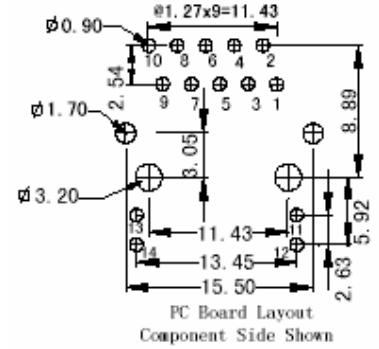
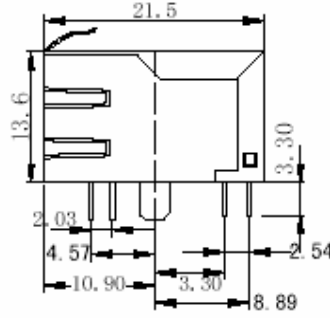
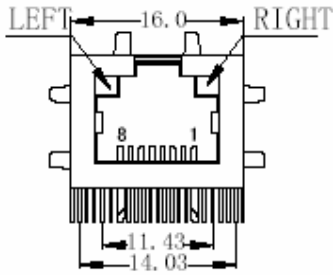
Through Hole Tab-Up RJ45 Jack with 10/100/1000 Magnetic



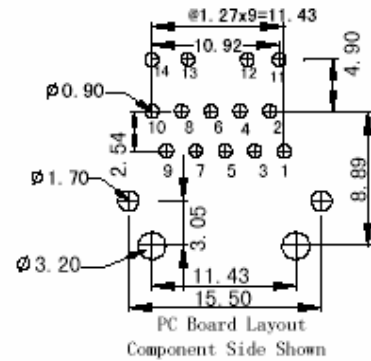
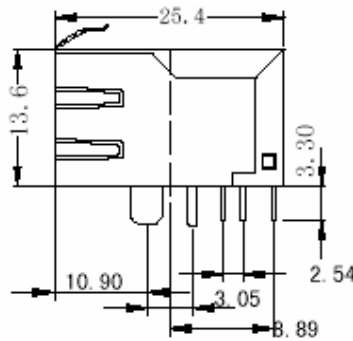
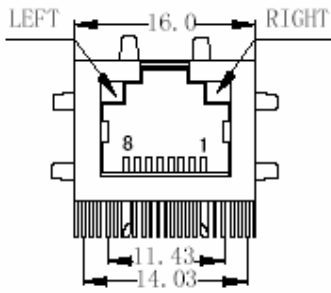
Coilmaster Electronics Co., Ltd.

SHAPES AND DIMENSIONS

RJ32G1630XA, X=1,2,3

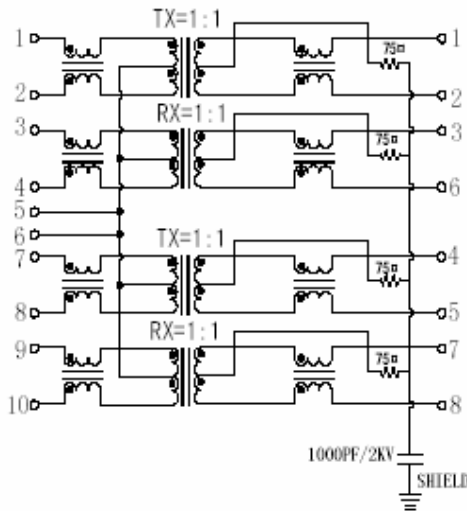


RJ32G17302A



Schematics

RF32G16301



RF32G16302

