

# 10/100 Base-T RJ45 2XN Tab-Down(Up) Jack With Magnetic Module



Coilmaster Electronics Co., Ltd.

## PART NUMBERING SYSTEM

**RJ32** — **X7201** — **X** — **X** — **LF**  
 Type — Model — Mechanical — LED table — Lead Free

## FEATURES

1. RJ45 2XN, with internal magnetics
2. **Options : 2x2,2x4,2x6 and 2x8 for 10/100 Base-TX**
3. Suitable for CAT 5 & 6 Fast Ethernet cable or better UTP
4. Internal magnetics are 100% electrically tested for Hi-Pot and function
4. 350uH min. OCL with 8mA bias current
5. **RoHS compliant peak solder rating 235°C**

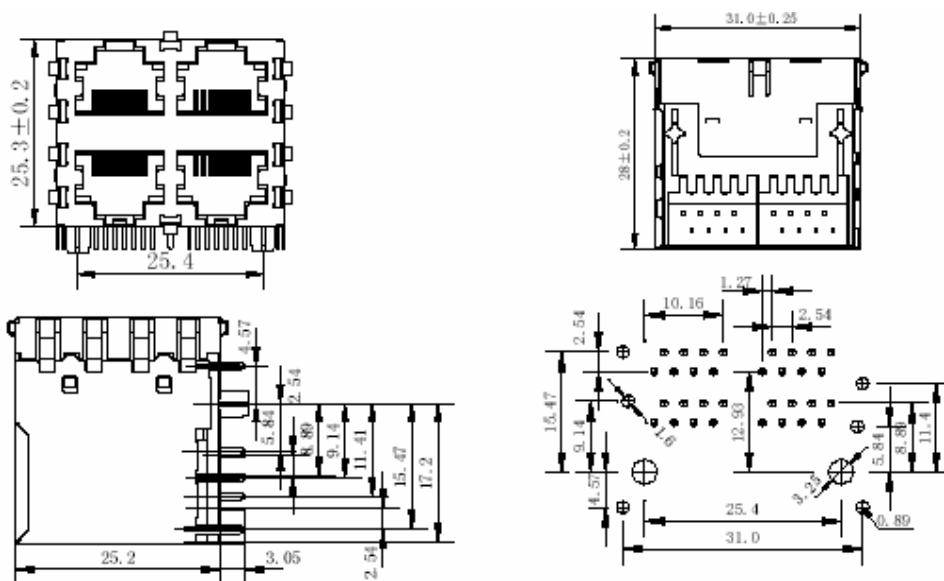


RoHS Compliant



## SHAPES AND DIMENSIONS

2x2



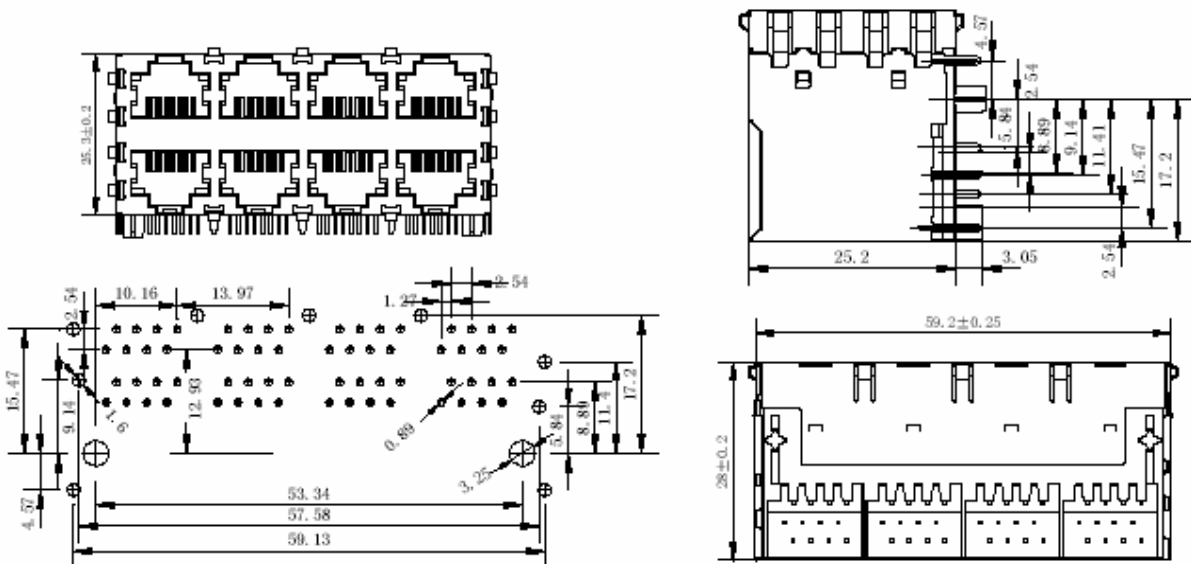
# 10/100 Base-T RJ45 2XN Tab-Down(Up) Jack With Magnetic Module



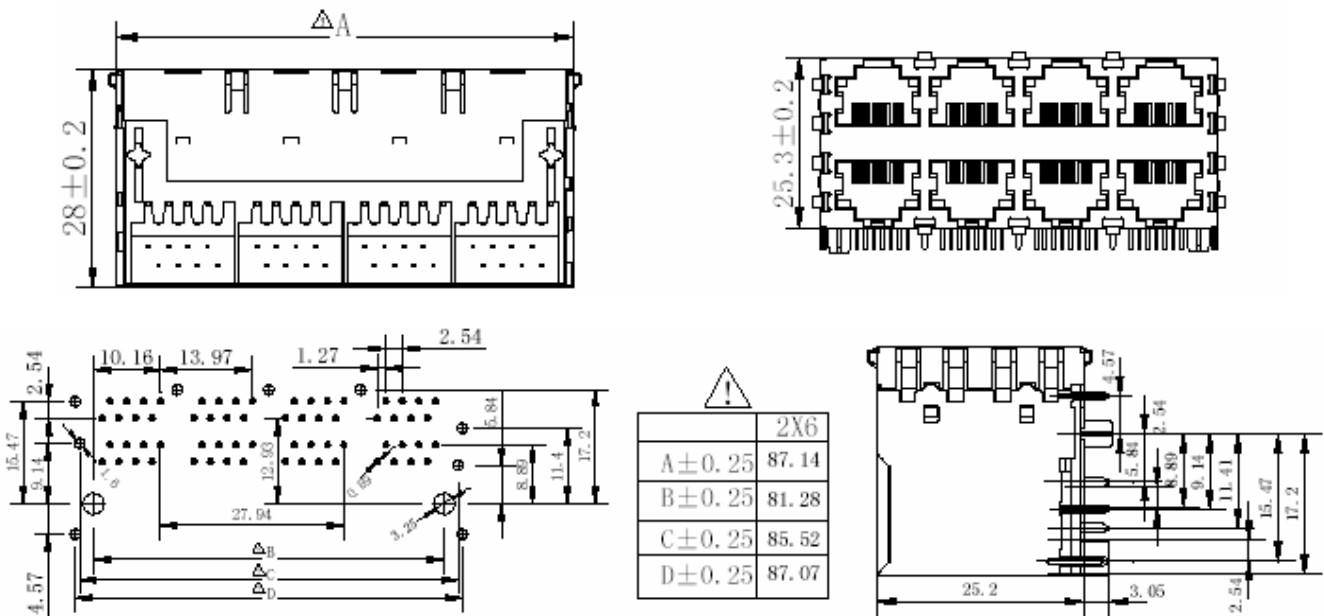
Coilmaster Electronics Co., Ltd.

## SHAPES AND DIMENSIONS

2x4



2x6



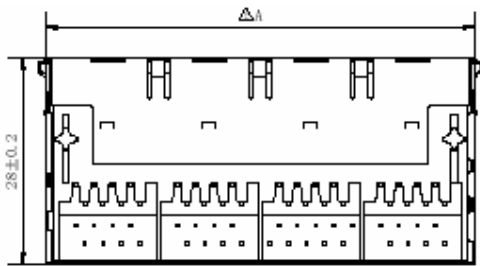
# 10/100 Base-T RJ45 2XN Tab-Down(Up) Jack With Magnetic Module



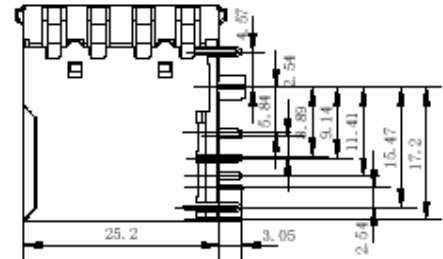
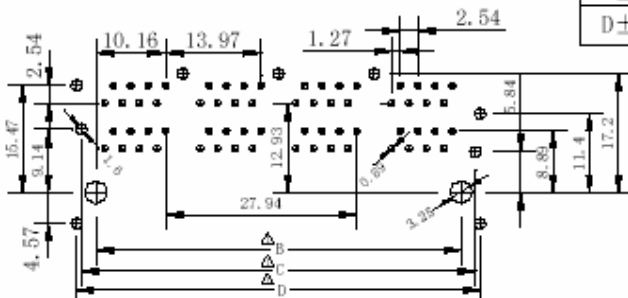
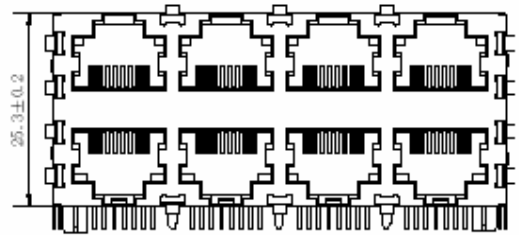
Coilmaster Electronics Co., Ltd.

## SHAPES AND DIMENSIONS

2x8

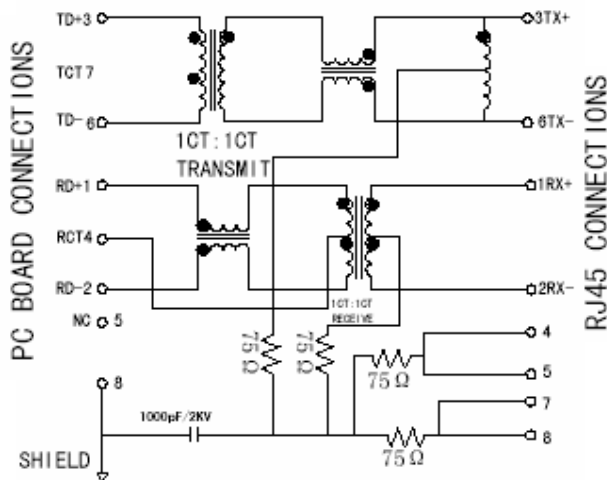


	2X8
A ± 0.25	115.1
B ± 0.25	109.24
C ± 0.25	113.48
D ± 0.25	115.03

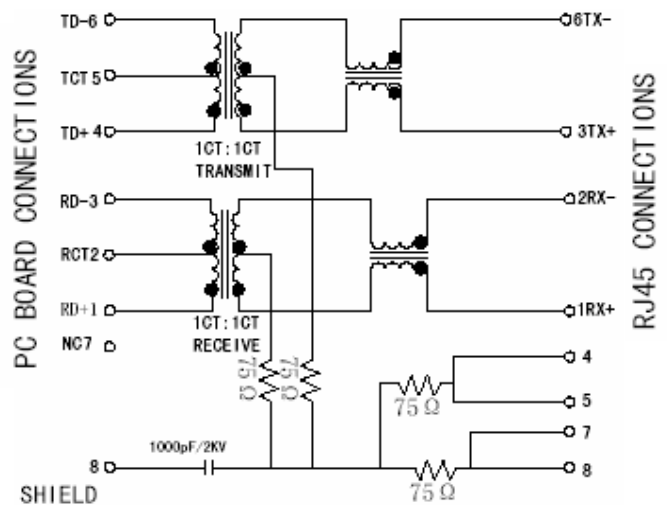


## Schematics

RJ32X7201-LF



RJ32X7202-LF



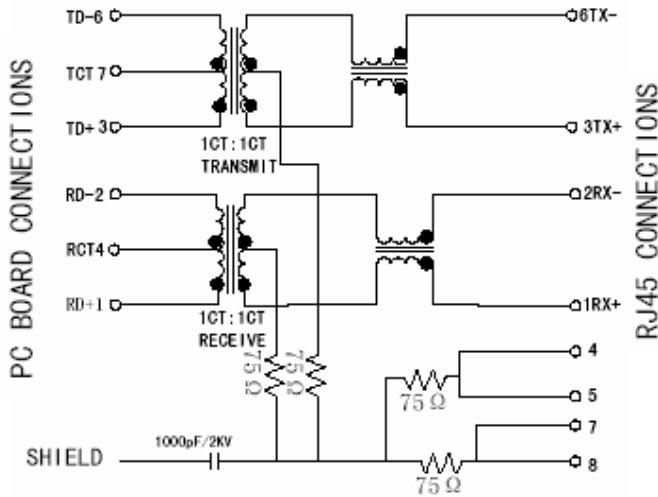
# 10/100 Base-T RJ45 2XN Tab-Down(Up) Jack With Magnetic Module



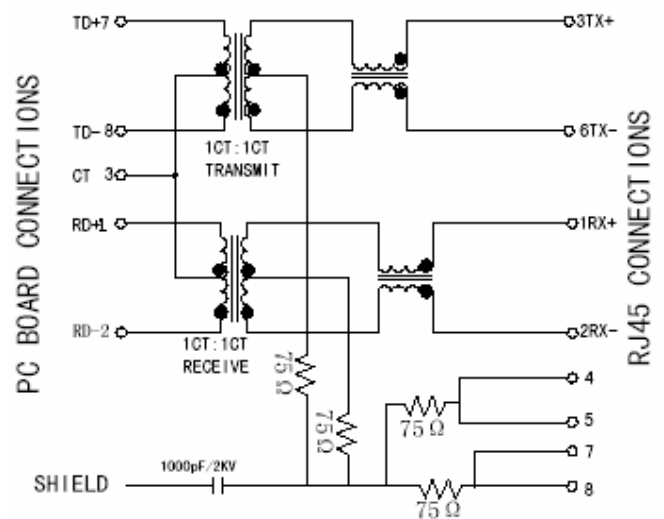
Coilmaster Electronics Co., Ltd.

## Schematics

### RJ32X7203-LF



### RJ32X7204-LF



## FEATURES

1. RJ45 2XN, with internal magnetics
2. **Options : 2x2,2x4,2x6 and 2x8 for 10/100 Base-TX**
3. Suitable for CAT 5 & 6 Fast Ethernet cable or better UTP
4. Internal magnetics are 100% electrically tested for Hi-Pot and function
4. 350uH min. OCL with 8mA bias current
5. **RoHS compliant peak solder rating 235°C**

## ELECTRICAL CHARACTERISTICS @ 25°C --- Operating Temperature 0°C to 70°C

PART NUMBER	Turns Ratios (±3%)		Insertion Loss (dB Max.)		Return loss (dB Min.) 100Ω±15Ω (MHz)		Crosstalk (dB Min) MHz	CMR (dB typ) MHz	Hipot (Vrms) @60Hz 1Min
	TX	RX	1-80MHz	100MHz	1-60	60-100			
RJ32-X7201-LF	1CT:1CT	1CT:1CT	-1.0	-1.2	-16	-12	-35	-30	1500
RJ32-X7202-LF	1CT:1CT	1CT:1CT	-1.0	-1.2	-16	-12	-35	-30	1500
RJ32-X7203-LF	1CT:1CT	1CT:1CT	-1.0	-1.2	-16	-12	-35	-30	1500
RJ32-X7204-LF	1CT:1CT	1CT:1CT	-1.0	-1.2	-16	-12	-35	-30	1500

Note : X=2 ---->2x2 ; X=4 ---->2x4 ; X=6 ---->2x6 ; X=8 ----> 2x8