



# SMM 1710B SERIES ~

## SMT Common Mode Chokes



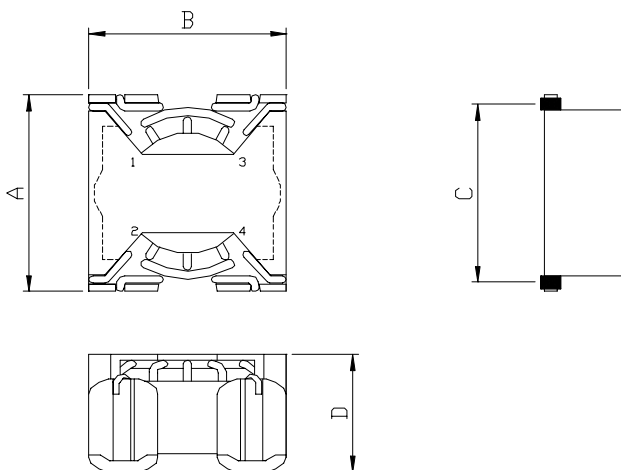
RoHS Compliant

### PART NUMBERING SYSTEM

<b>SMM</b>	<b>1710B</b>	<b>—</b>	<b>591</b>	<b>—</b>	<b>LF</b>
TYPE	DIMENSIONS		IMPEDANCE		LEAD FREE

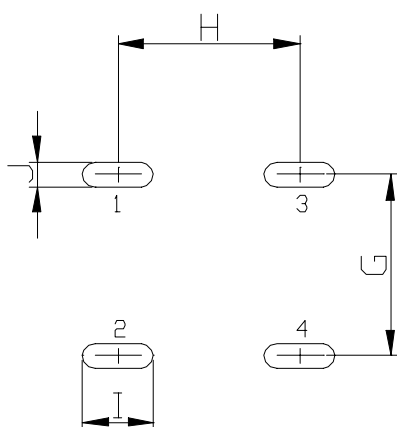
### SHAPES AND DIMENSIONS

UNIT : mm

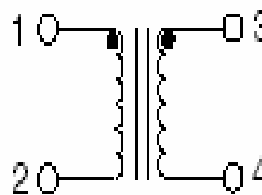


**A= 19.56 Max. B= 17.02 Max. C= 16.51 Max. D= 9.91 Max.**

### PCB LAYOUT



### Schematic



**G= 16.76 H= 11.3 I= 4.45 J= 1.52 Ref.**



## SMM 1710B SERIES ~

### SMT Common Mode Chokes



RoHS Compliant

#### FEATURES

- **Exceptionally low DC resistance** thanks to the use of heavier gauge wire
- Solutions based on impedance , size and current
- Designed for DC-DC Converters
- Wide Variety of inductor sizes and current ratings available
- Dielectric strength : **1000Vrms** .
- **RoHS-compliant**. 260°C compatible. Tin-silver over copper terminations

#### SPECIFICATION TABLE

PART NUMBER	INDUCTANCE ( $\mu$ H)	I <sub>rated</sub> (A)	DCR (m $\Omega$ ) (Max.)	Test Freq.
SMM1710B-221-LF	220 $\pm$ 35%	3.30	60.0	10KHz / 1V
SMM1710B-591-LF	590 $\pm$ 35%	4.70	21.0	10KHz / 1V
SMM1710B-771-LF	220 $\pm$ 35%	5.60	40.0	10KHz / 1V
SMM1710B-132-LF	1320 $\pm$ 35%	3.30	60.0	10KHz / 1V
SMM1710B-142-LF	1470 $\pm$ 35%	2.80	80.0	10KHz / 1V
SMM1710B-601-LF	600 Min.	3.60	50.0	10KHz / 1V
SMM1710B-182-LF	1800 Min.	2.50	80.0	10KHz / 1V

- Inductance is measured with a LCR meter 4284A or equivalent.
- Operating temperature range -40°C to +85°C.
- Electrical specifications at 25°C .
- Packing : 13" reel, machine-ready ,embossed plastic tape ( 200 parts per full reel).