



SLF63 SERIES ~ SMD EMI Line Filter



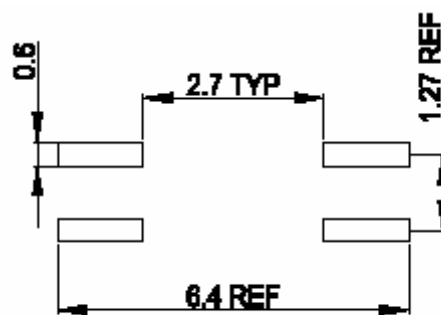
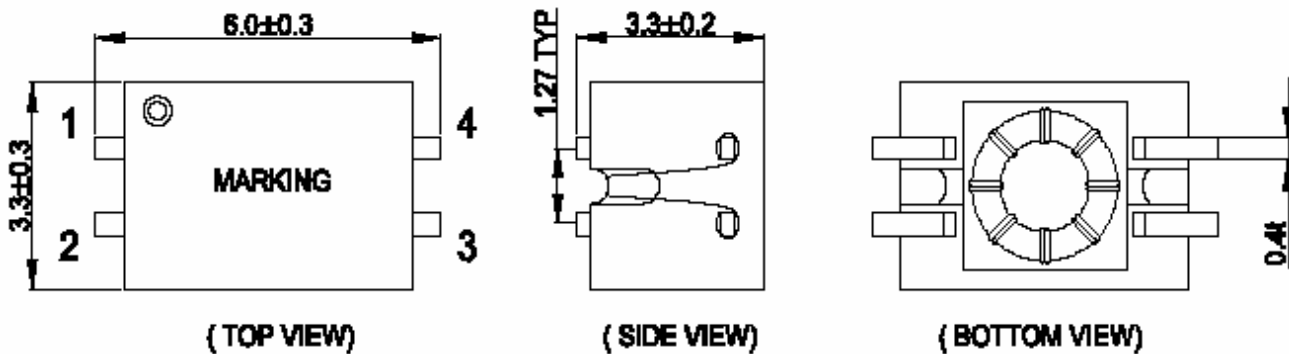
RoHS Compliant

PART NUMBERING SYSTEM

| | | | | | |
|------------|------------|---|------------|---|-----------|
| SLF | 63 | - | 110 | - | LF |
| TYPE | DIMENSIONS | | INDUCTANCE | | LEAD FREE |

SHAPES , DIMENSIONS AND PCB LAYOUT

UNIT : mm



PCB LAYOUT

FEATURES

- Designed for low profile effective in space conscious applications .
- Ideal for low resistance filters have been designed for excellent electrical isolation .
- Application for provide common mode noise attenuation and for the suppression of EMI in data lines and signal lines .
- Lead free and RoHS compliant



SLF63 SERIES ~ SMD EMI Line Filter



RoHS Compliant

SPECIFICATION TABLE

| PART NUMBER | INDUCTANCE (μ H) | DCR(Ω) (Max.) N1=N2 | Rated Current (mA) | Impedance (Z) ohm (Min.) | Frequency Range(MHz) |
|--------------|--------------------------|------------------------------------|----------------------------|----------------------------------|-------------------------|
| SLF63-110-LF | 11+50%-30% | 0.18 | 100 | 450 | 100 to 400 |
| SLF63-220-LF | 22+50%-30% | 0.23 | 100 | 900 | 40 to 250 |
| SLF63-330-LF | 33+50%-30% | 0.27 | 100 | 1000 | 30 to 180 |
| SLF63-500-LF | 50+50%-30% | 0.32 | 100 | 1200 | 20 to 60 |

- Test frequency @ 10KHz 0.1V
- Test equipment : Inductance value : HP4284A LCR meter ; Impedance value : HP4291A LCR Meter .
- Rated current : 40°C temperature rise from 25°C ambient.
- Operating temperature range -40°C to +85°C . Electrical specifications at 25°C.
- Packing : 13" reel, machine-ready ,embossed plastic tape (2,000 parts per full reel).