



SQH4010S SERIES ~ **New Products**



RoHS Compliant

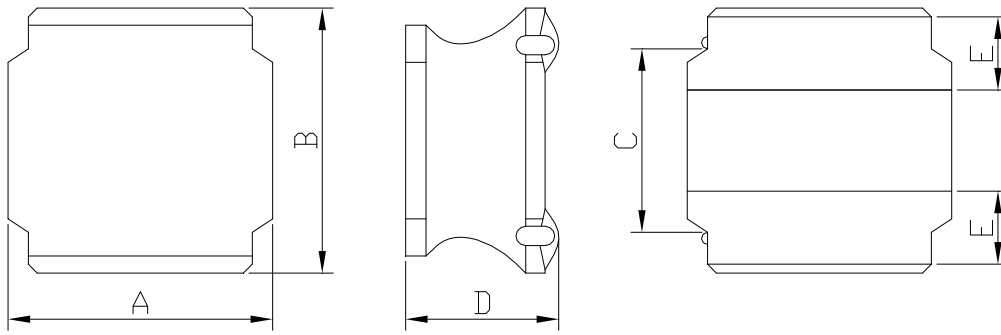
Low Profile SMD Power Inductors

PART NUMBERING SYSTEM

SQH	4010S	—	100M	—	LF
TYPE	DIMENSIONS		INDUCTANCE		LEAD FREE

SHAPES AND DIMENSIONS

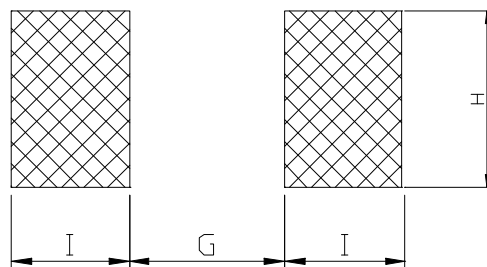
UNIT : mm



A=4.2 Max. B=4.2 Max. C=2.5 Ref. D=1.0 Max. E=1.1±0.2

RECOMMENDED PATTERNS

UNIT : mm



G= 1.40 H= 3.60 I = 1.20

FEATURES

- * Low profile and small inductors (4.2mm Max. square and 1.0mm Max. height)
- * Magnetically shielded construction and high current
- * Ideal for DC-DC converter choke coil for portable equipments (DVDs , DSC , Cellular , PDAs)
- * RoHS compliant option with lead free



Coilmaster Electronics Co., Ltd.

9F-3 No.398, Huan Bei Rd. Chung Li City, Taoyuan 320, Taiwan
Tel : +886-3-422-8279 Fax : +886-3-422-8734

E-mail : info@coilmaster.com.tw

Web Site : www.coilmaster.com.tw

SQH4010S SERIES ~ *New Products*

Low Profile SMD Power Inductors



RoHS Compliant

SPECIFICATION TABLE

PART NUMBER	INDUCTANCE (μ H)	DCR (Ω) (Max.)	Isat (A) (Max.)	Irms (A) (Max.)	TEST FREQ. (f)
SQH4010S-1R0N-LF	1.0 \pm 30%	0.120	1.80	1.05	100KHz
SQH4010S-2R2M-LF	2.2 \pm 20%	0.180	1.15	0.89	100KHz
SQH4010S-3R3M-LF	3.3 \pm 20%	0.216	1.10	0.82	100KHz
SQH4010S-4R7M-LF	4.7 \pm 20%	0.252	0.90	0.75	100KHz
SQH4010S-6R8M-LF	6.8 \pm 20%	0.360	0.74	0.62	100KHz
SQH4010S-100M-LF	10 \pm 20%	0.456	0.56	0.60	100KHz
SQH4010S-150M-LF	15 \pm 20%	0.612	0.47	0.51	100KHz
SQH4010S-220M-LF	22 \pm 20%	1.044	0.36	0.40	100KHz
SQH4010S-330M-LF	33 \pm 20%	1.848	0.28	0.30	100KHz
SQH4010S-470M-LF	47 \pm 20%	2.172	0.24	0.28	100KHz

- Isat : DC current at which the inductance drops 30%(typ) from its value without current.
- Irms : The temperature rise current value is the DC current value having temperature increase up 40°C temperature rise from 20°C ambient.
- Operating temperature range -40°C to +85°C , Electrical specifications at 20°C .