



SQH5040S SERIES ~ **New Products**



RoHS Compliant

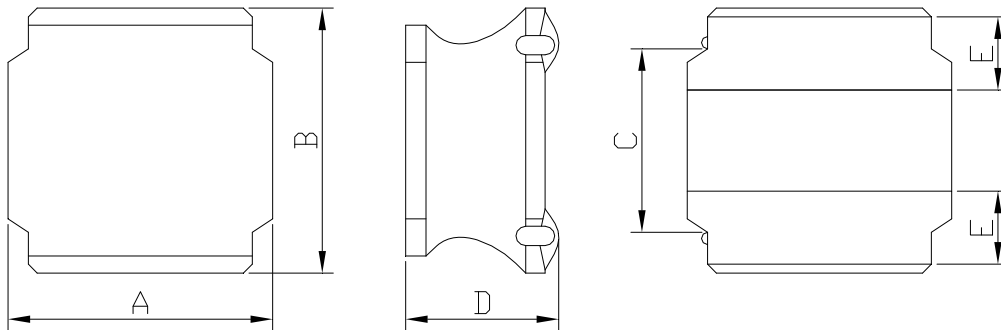
Low Profile SMD Power Inductors

PART NUMBERING SYSTEM

SQH	5040S	—	3R3M	—	LF
TYPE	DIMENSIONS		INDUCTANCE		LEAD FREE

SHAPES AND DIMENSIONS

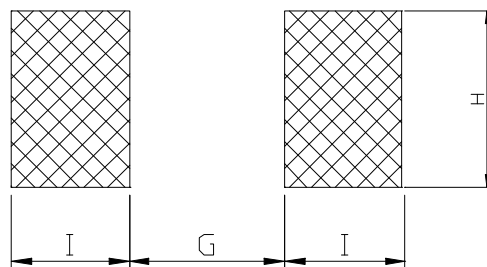
UNIT : mm



A=5.2 Max. B=5.2 Max. C=3.25 Ref. D=4.0 Max. E=1.2±0.2

RECOMMENDED PATTERNS

UNIT : mm



G= 2.10 H= 4.00 I = 1.50

FEATURES

- * Low profile and small inductors (5.2mm Max. square and 4.0mm Max. height)
- * Magnetically shielded construction and high current
- * Ideal for DC-DC converter choke coil for portable equipments (DVDs , DSC , Cellular , PDAs)
- * RoHS compliant option with lead free



SQH5040S SERIES ~ **New Products**

Low Profile SMD Power Inductors



RoHS Compliant

SPECIFICATION TABLE

PART NUMBER	INDUCTANCE (μ H)	DCR (m Ω) (Max.)	Isat (A) (Max.)	Irms (A) (Max.)	TEST FREQ. (f)
SQH5040S-1R5N-LF	1.5 \pm 30%	24	6.00	3.60	100KHz
SQH5040S-2R2N-LF	2.2 \pm 30%	26	4.60	3.50	100KHz
SQH5040S-3R3M-LF	3.3 \pm 30%	32	3.80	3.30	100KHz
SQH5040S-4R7M-LF	4.7 \pm 30%	35	3.30	3.10	100KHz
SQH5040S-6R8M-LF	6.8 \pm 20%	59	2.60	2.30	100KHz
SQH5040S-100M-LF	10 \pm 20%	67	2.30	2.10	100KHz
SQH5040S-150M-LF	15 \pm 20%	96	2.00	1.80	100KHz
SQH5040S-220M-LF	22 \pm 20%	151	1.60	1.40	100KHz
SQH5040S-330M-LF	33 \pm 20%	216	1.30	1.20	100KHz
SQH5040S-470M-LF	47 \pm 20%	372	1.10	0.90	100KHz

- Isat : DC current at which the inductance drops 30%(typ) from its value without current.
- Irms : The temperature rise current value is the DC current value having temperature increase up 40°C temperature rise from 20°C ambient.
- Operating temperature range -40°C to +85°C , Electrical specifications at 20°C .