



MW3225C SERIES ~ Shielded Chip Inductors



RoHS Compliant

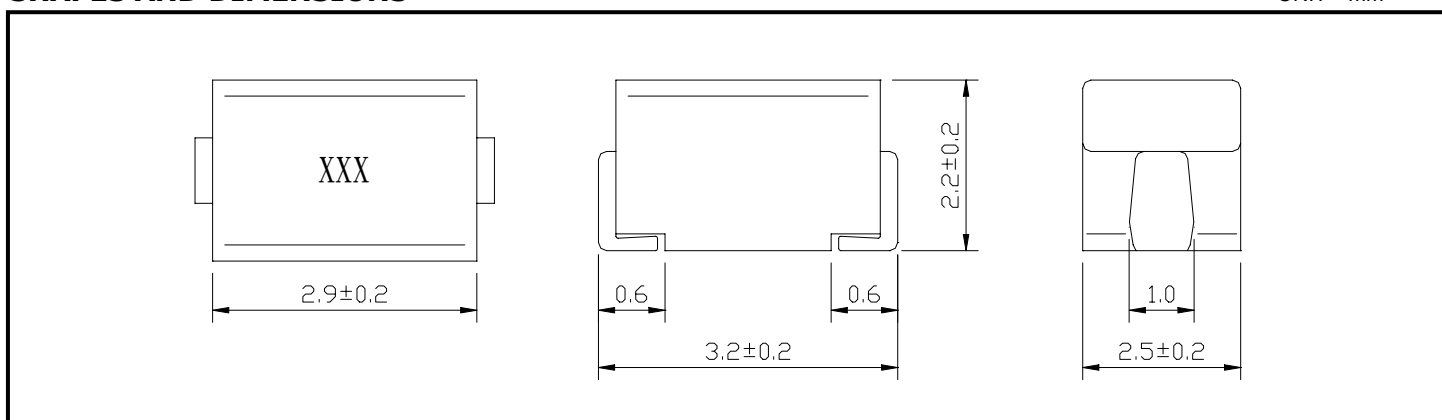
Wire Wound Chip Inductors Large Current

PART NUMBERING SYSTEM



SHAPES AND DIMENSIONS

UNIT : mm



SPECIFICATION TABLE

PART NUMBER	INDUCTANCE (μ H)	Q. MIN.	TEST FREQ (MHz)	SRF (MHz) MIN.	DCR (Ω) (max)	IDC (mA) (max)
MW3225C-1R0M-LF	$1.0 \pm 10\%$	10	7.96	100	0.156	770
MW3225C-1R5M-LF	$1.5 \pm 10\%$	10	7.96	80	0.195	580
MW3225C-2R2M-LF	$2.2 \pm 10\%$	10	7.96	65	0.260	480
MW3225C-3R3M-LF	$3.3 \pm 10\%$	10	7.96	55	0.325	400
MW3225C-4R7M-LF	$4.7 \pm 10\%$	10	7.96	45	0.520	320
MW3225C-6R8M-LF	$6.8 \pm 10\%$	10	7.96	35	0.650	280
MW3225C-100K-LF	$10.0 \pm 10\%$	15	2.52	28	1.105	220
MW3225C-150K-LF	$15.0 \pm 10\%$	15	2.52	25	1.690	180
MW3225C-220K-LF	$22.0 \pm 10\%$	15	2.52	20	2.600	145
MW3225C-330K-LF	$33.0 \pm 10\%$	15	2.52	15	3.640	115
MW3225C-470K-LF	$47.0 \pm 10\%$	20	2.52	13	5.460	105
MW3225C-680K-LF	$68.0 \pm 10\%$	20	2.52	10	8.450	85
MW3225C-101K-LF	$100.0 \pm 10\%$	20	0.796	8	10.140	75



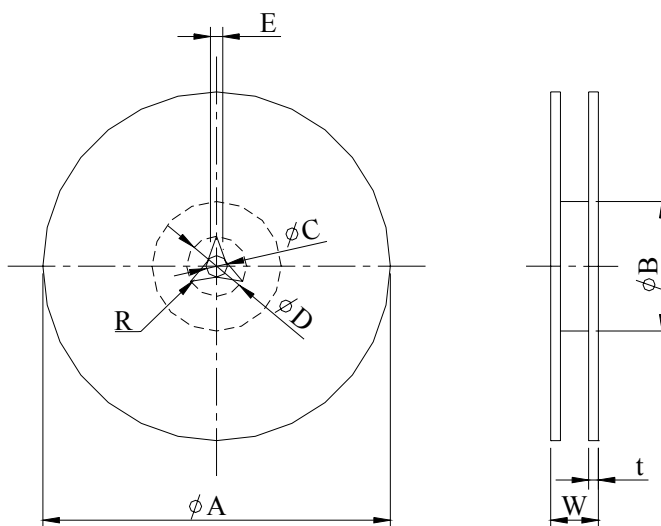
MW3225C SERIES ~ Shielded Chip Inductors

Wire Wound Chip Inductors Large Current

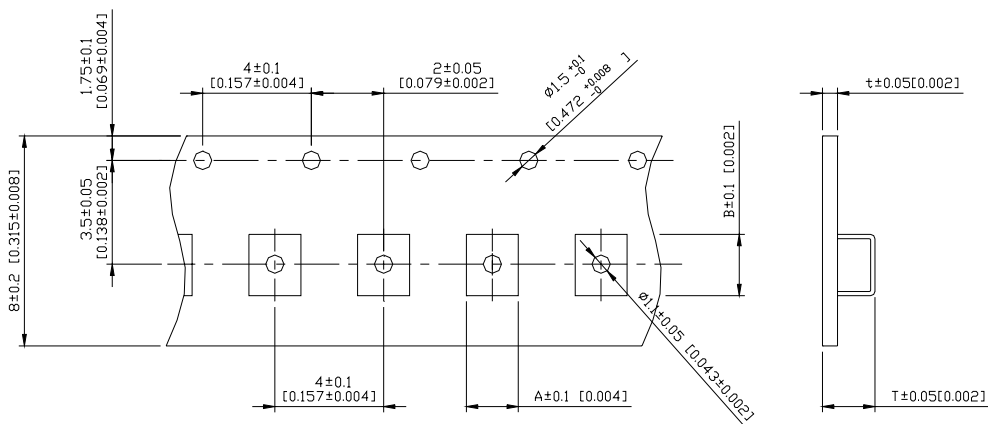


RoHS Compliant

PACKAGING SPECIFICATION



	A	B	C	D	E	W8	W12	t	R
T(ϕ 178mm) Reel	ϕ 178 \pm 2	ϕ 60 \pm 1	ϕ 13 \pm 0.8	ϕ 21 \pm 0.8	2	10 \pm 1.5	14.5 \pm 1.5	1.27 \pm 0.2	1
T(ϕ 330mm) Reel	ϕ 330 \pm 2	ϕ 100 \pm 2	ϕ 13 \pm 0.8	ϕ 21 \pm 0.8	2	10 \pm 1.5	14.5 \pm 1.5	1.27 \pm 0.2	1



TYPE	A	B	T	t	T(ϕ 178mm)	T(ϕ 330mm)
MW3225C	2.90	3.60	1.70	0.25	2000 pcs/reel	-